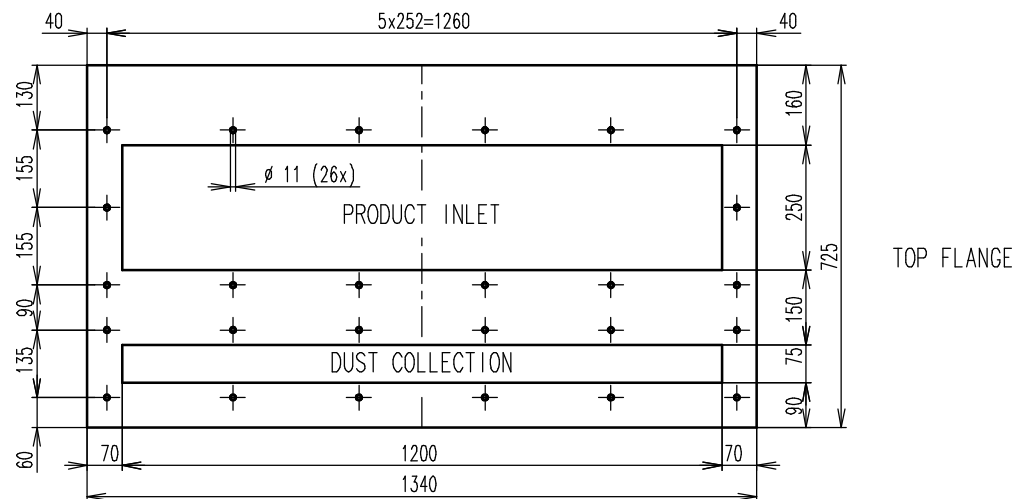
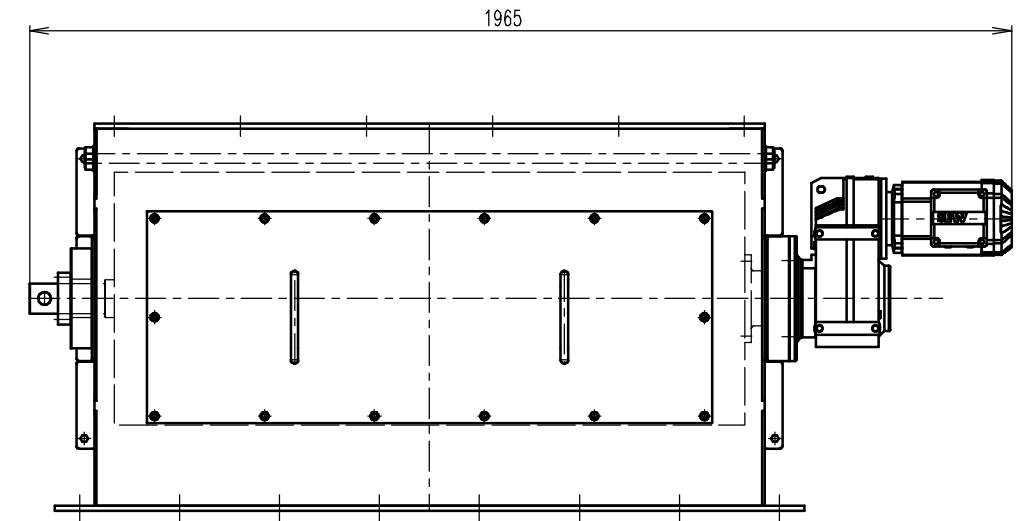
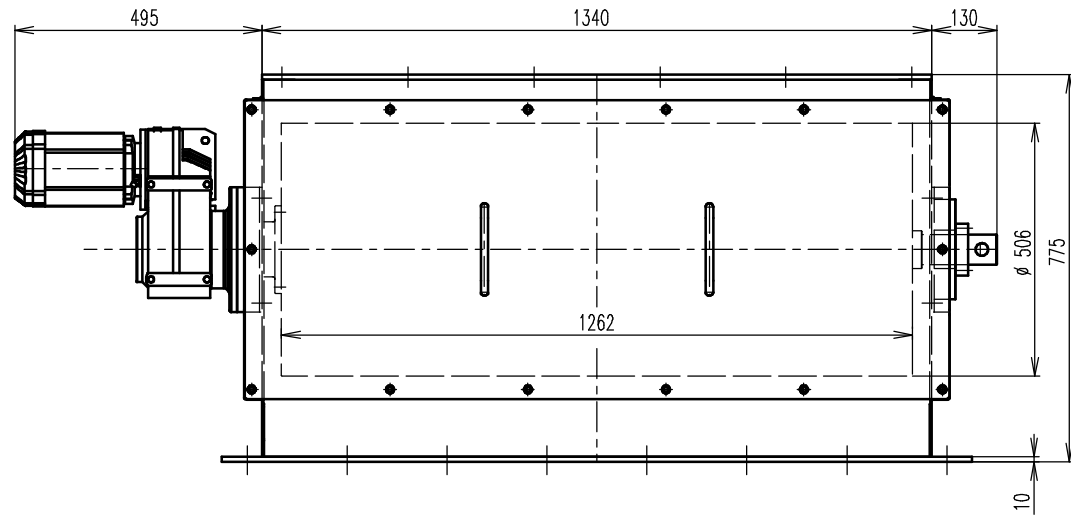
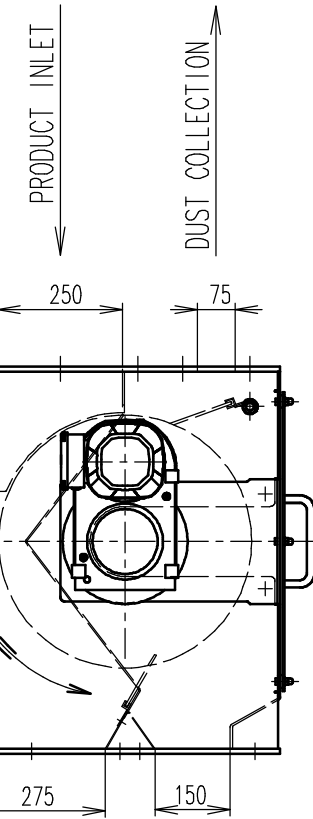
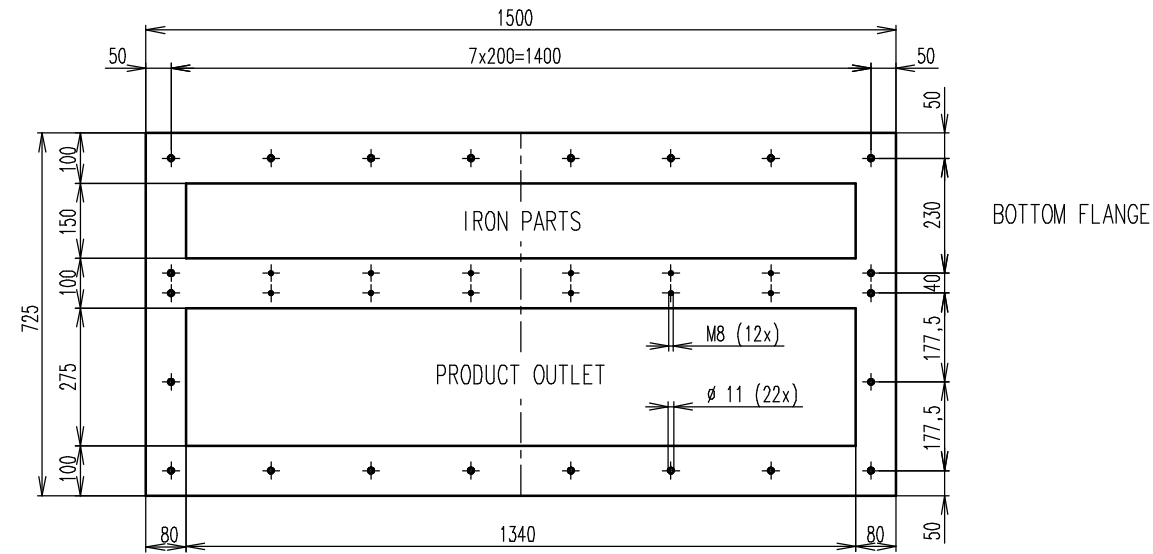


Revis. Name: JKA	REF.G.: SRTK120054_C
A Date: 28.12.05	REF.W.: C46_000000_A
Revis. Name: LF	DRIVE SEW FF67DRE80M4 (WAS FF67DT80N4)
B Date: 23.08.11	



SEW DRIVE: FF67DRE80M4,  
0,75kW, 21 RPM

CROSS POLE MAGNET SYSTEM  
(ANGLE ADJUSTABLE)

DRUM SPEED = APPR. 33 m/min  
CAPACITY = APPR. 215 m<sup>3</sup>/h

Reference WAMAG: C46\_000000\_C, C46\_000000\_D

General Tolerances (not tol. measures) ISO 2768 - cL	General Tolerances on weld length 0/20%	Drawing rules acc. ISO 286 ISO 1101 ISO 1302 ISO 2553	
Drawn: LF	Scale: 1:10	Order:	Quant:
Date: 23.08.2011	Status:	Partorder:	
Title: DRUM MAGNET IN HOUSING DRUM DIA: 500, LENGTH 1200 CROSS POLE, TOTAL WEIGHT 810 kg			
GOUDSMIT® Magnetic systems		Number: SRTK120054w	Rev: B