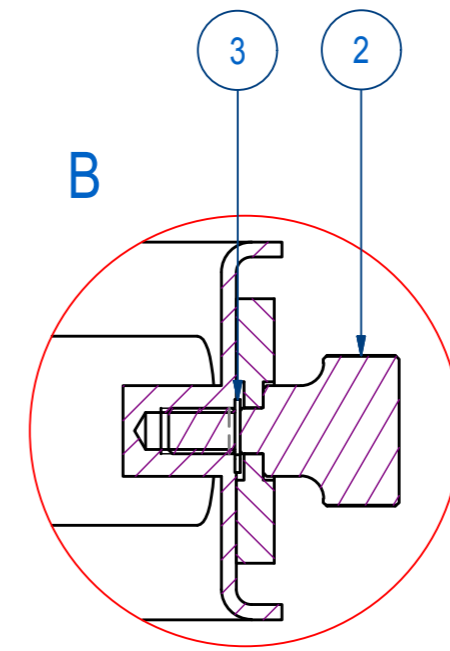
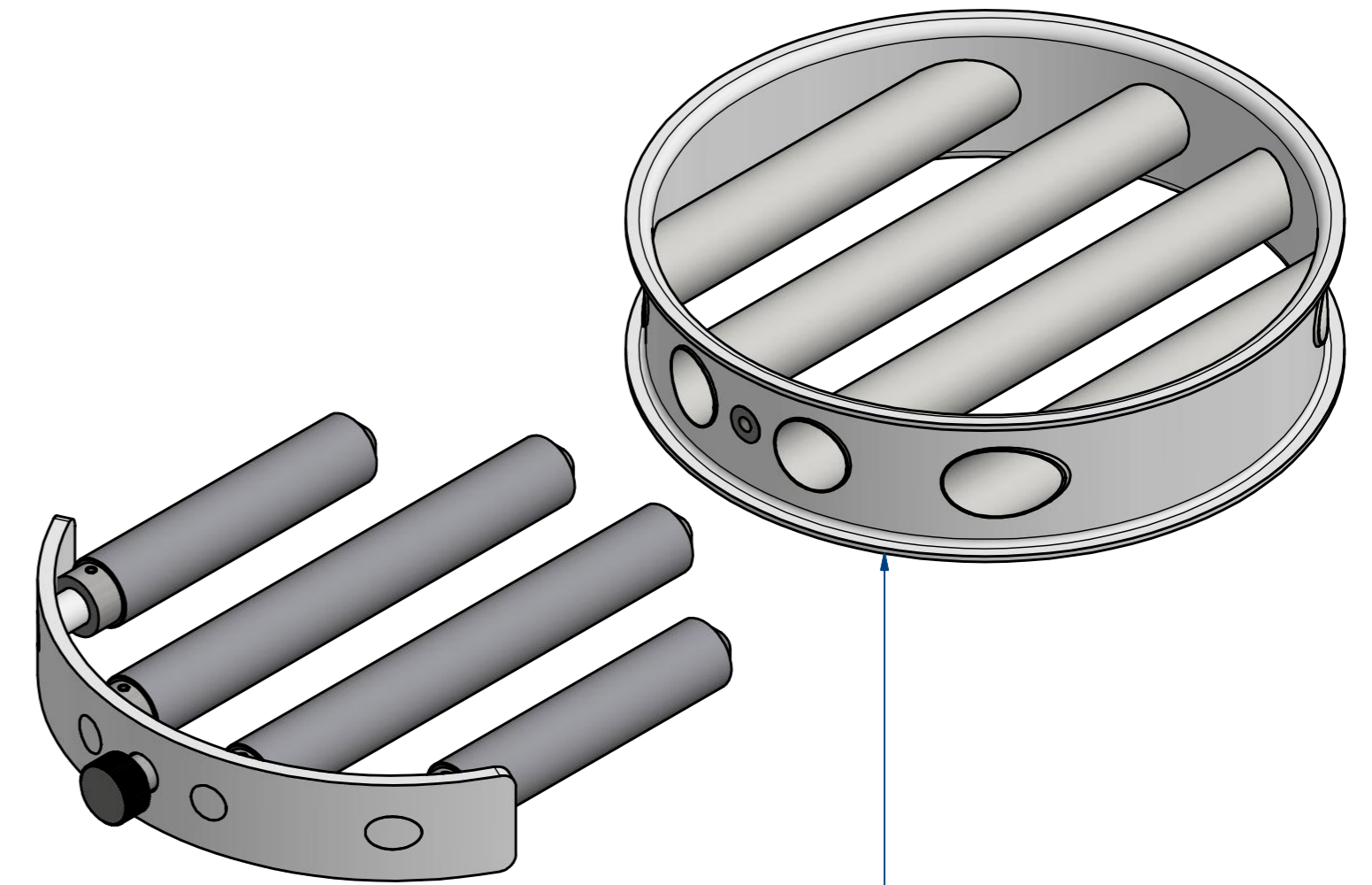
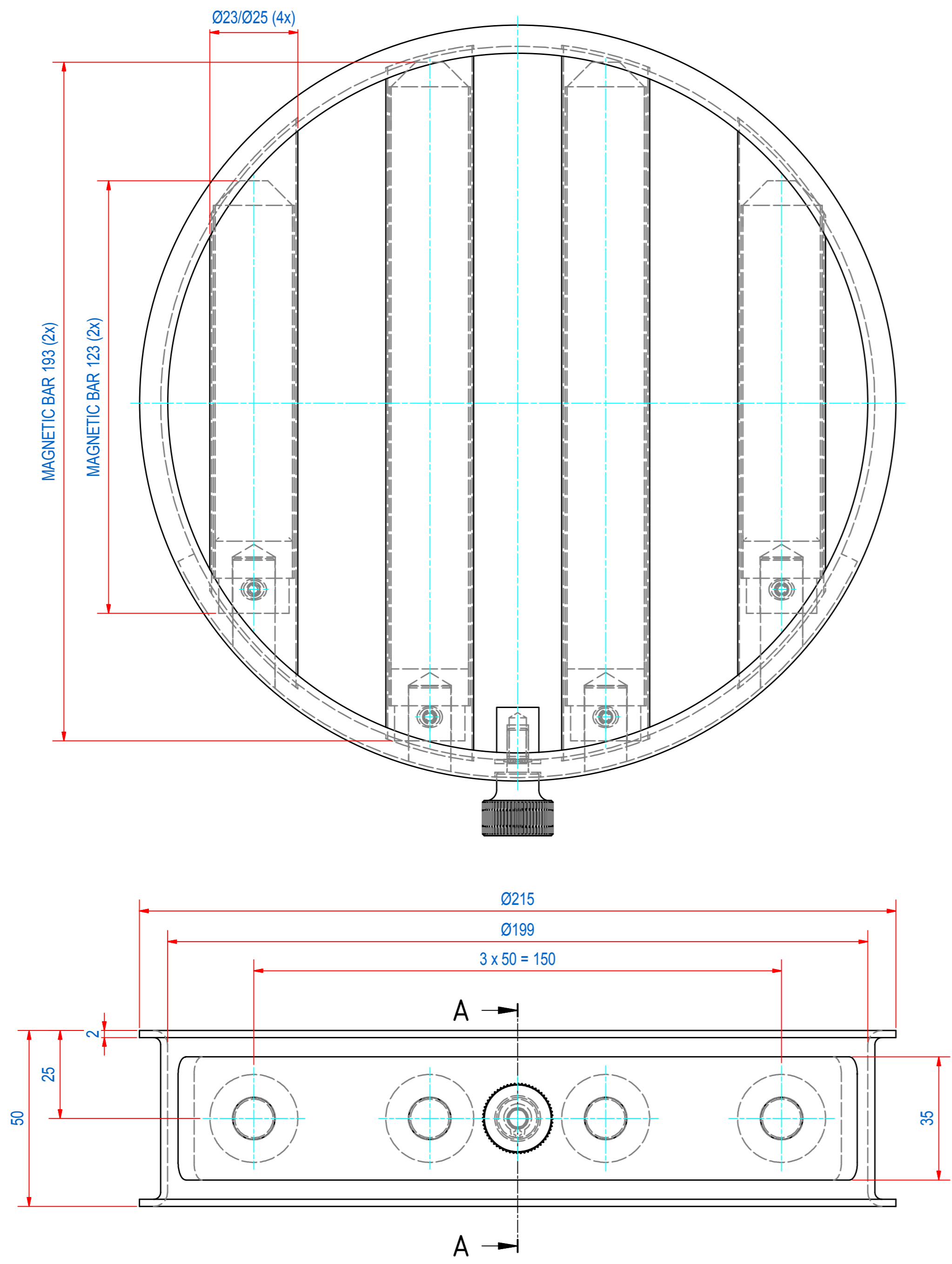


REV	DATE	BY	DESCRIPTION
-	13-3-2013	AvD	NEW REVISION VAULT, NOTHING CHANGED, OLD REV WAS C
A	10-2-2015	CR	KNOB ADDED FOR SECURING FRONT PLATE ON GRID



ITEM	QTY	PART NUMBER	DESCRIPTION	Dimensions
3	1	70.4200006	CIRCLIPS, EXT 6x0,7 - A2	6x0,7
2	1	E0028964	KNOB M6 316L KNURLED	
1	1	A110031	GRID ASSY D200x50 NdFeB P25	

RAW MAT.	1				
QTY		MAT. NUMBER	MAT. DESCRIPTION	LENGTH (mm)	WIDTH (mm)
Sheet: A2		Extra info: Magnetic grid		General tolerance: ISO 2768 - mK	
Drawn: AvD		Weight (kg): 3		Drawn according: ISO268; ISO1101; ISO2553	
Date: 12-3-2013		Goudsmit MAGNETIC SYSTEMS		Status: Standard	
Spare part: False		© All rights reserved. Reproduction is not permitted without written permission of GOUDSMIT Magnetic Systems BV		Customer reference number:	
Quick search: MRNB0200		SMR-N-D200x50-04E-S4-S		File number: E0081391	Rev: A
Description:				Part number: SEMR020078	Rev: A