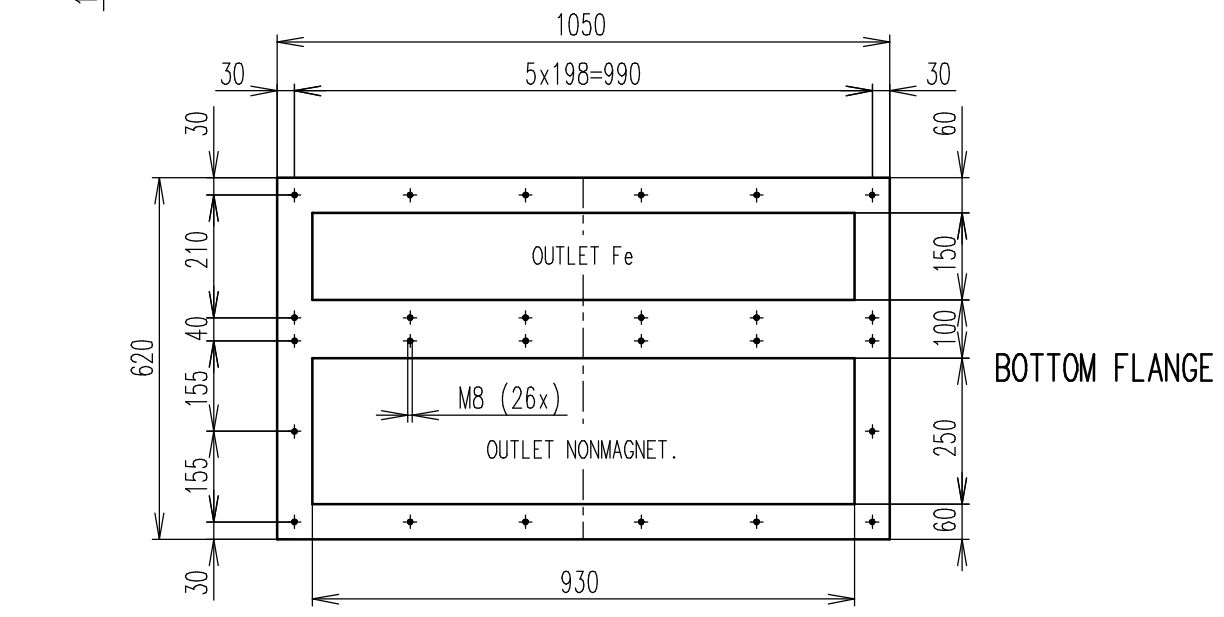
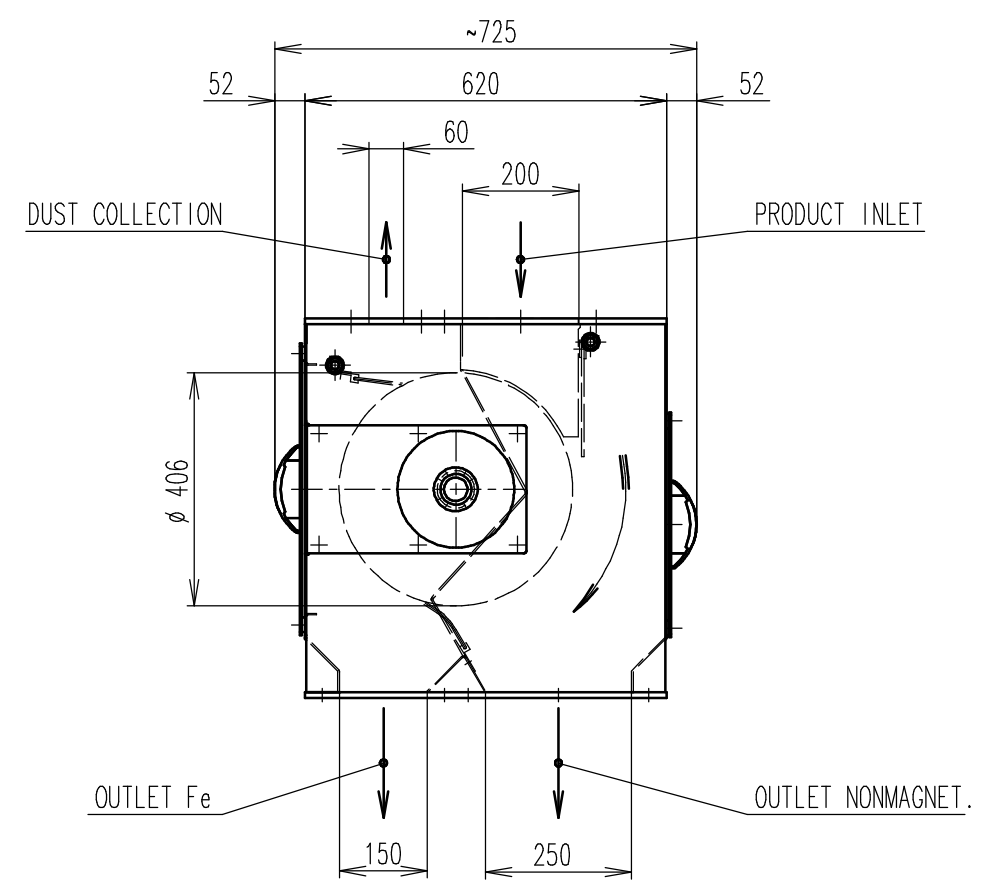
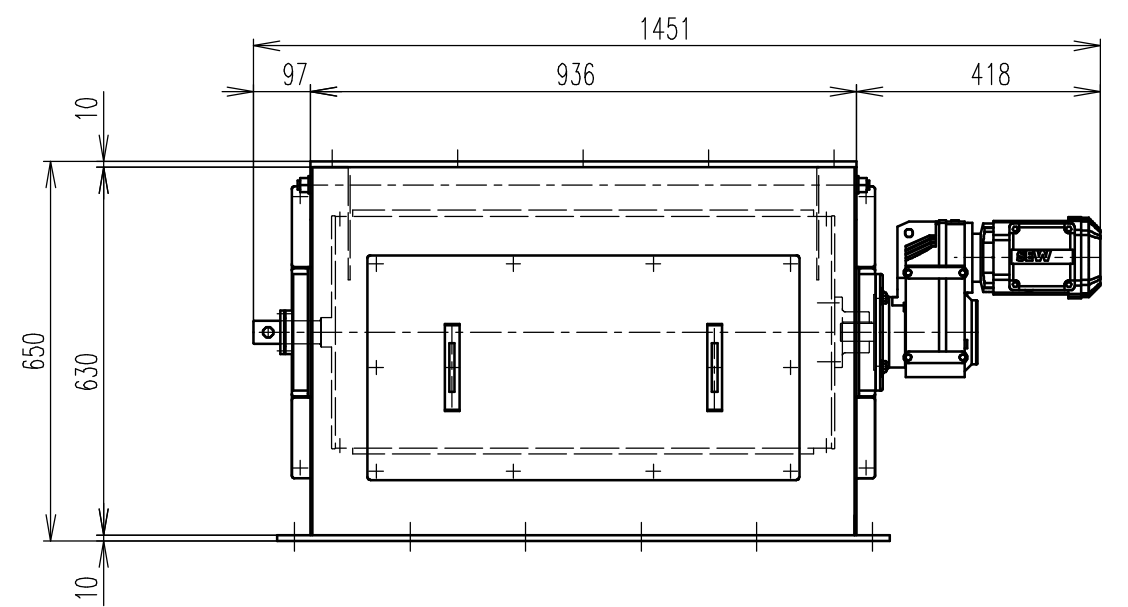
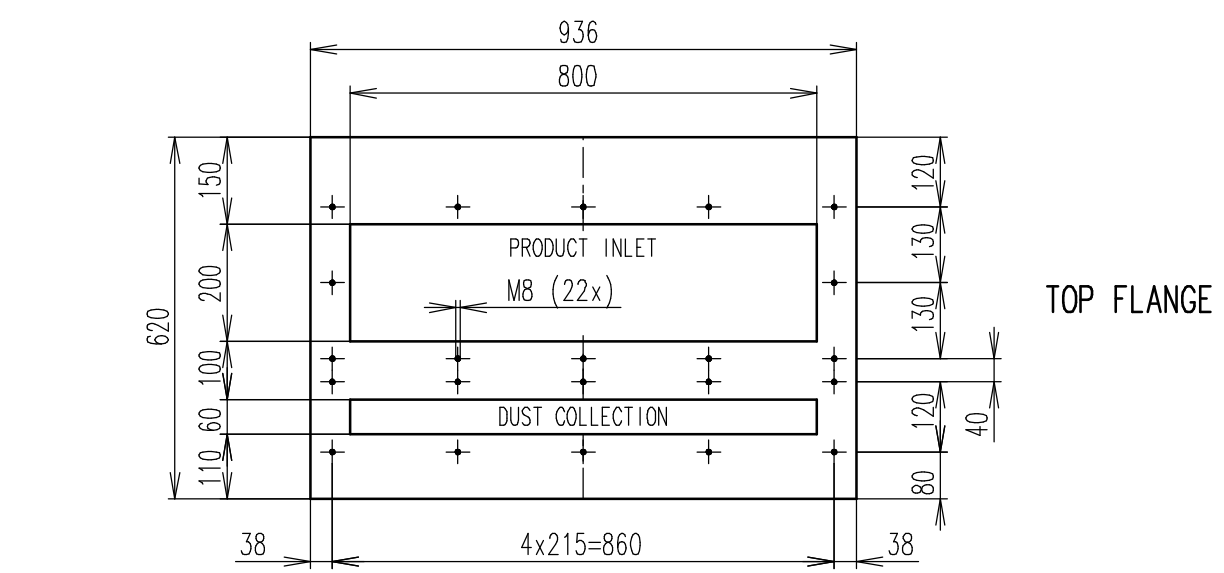


| | | |
|--------|----------------|--|
| Revis. | Name: JKA | STANDARD TUBE $\varnothing 406\text{mm}$ |
| B | Date: 15.01.07 | |
| Revis. | Name: LF | GEARED BOX SEW FF47DRE80M4 (WAS FF47DT80K4) |
| C | Date: 23.11.12 | |
| Revis. | Name: LF | GEARED BOX SEW FF47DRS71M4 (WAS FF47DRE80M4) |
| D | Date: 17.01.13 | |

NOTES:

- MOTOR REDUCTOR SEW FF47DRS71M4, $i=68.09$, MOTOR 400V, 0.55kW, 50Hz, IP54
- DRUM SPEED 25,5 m/min, 20 rpm
- CAPACITY 120 m³/hod, (DUST COLLECTION 250m³/hod)



Reference WAMAG: C86_000000_D

| | | | |
|---|--|---|---------------|
| General Tolerances (not tol. measures) ISO 2768 - cL | General Tolerances on weld length 0/20% | Drawing rules acc. ISO 286 ISO 1101 ISO 1302 ISO 2553 | |
| Drawn: LF | Scale: 1:12 | Order: | Quant: |
| Date: 17.01.2013 | Status: | Partorder: | |
| Title; DRUM MAGNET IN HOUSING DRUM DIA 400, LENGTH 800, CROSS POLE TOTAL WEIGHT 400 kg | | | |
| GOUDSMIT® Magnetic systems | | Number: SRTK080044w | Rev: D |