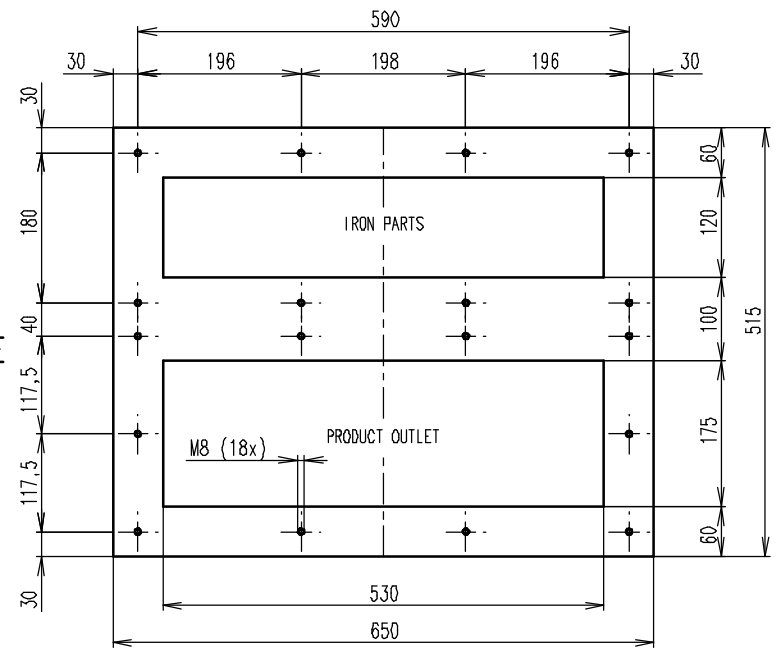
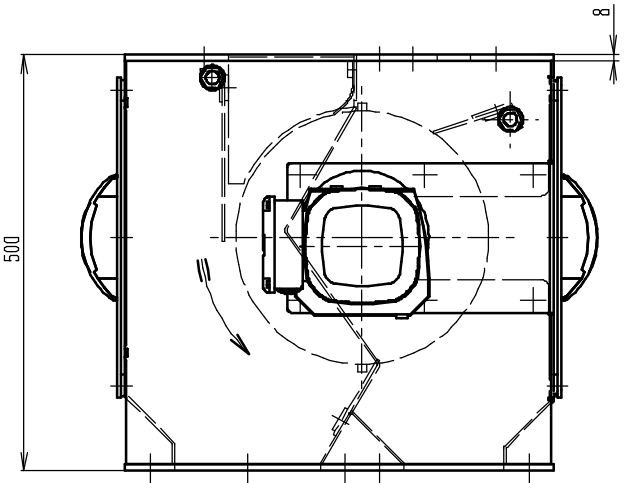
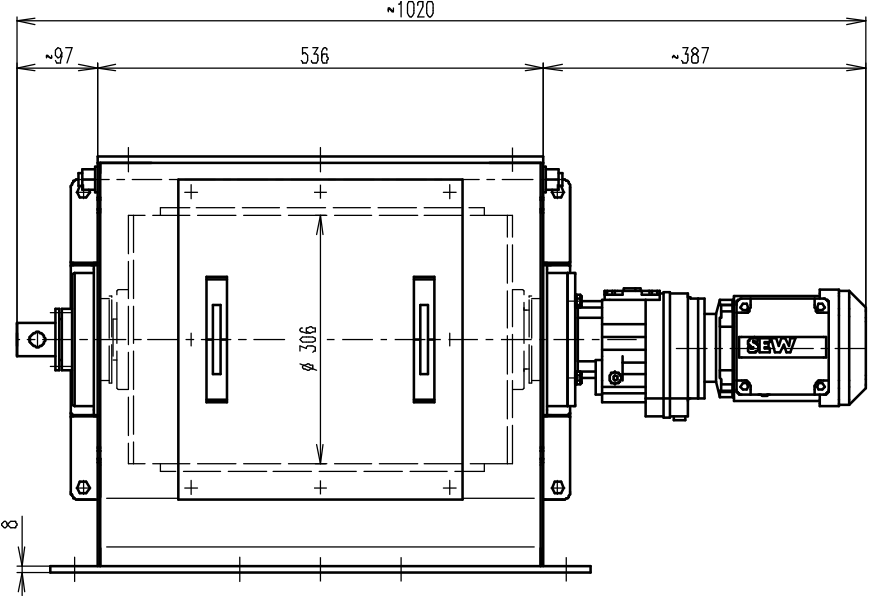
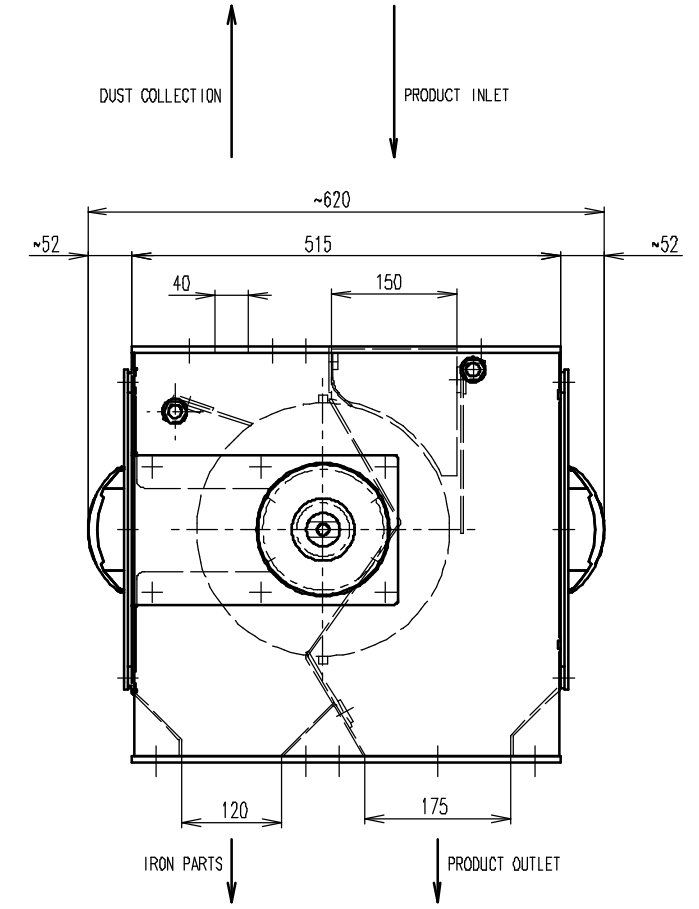
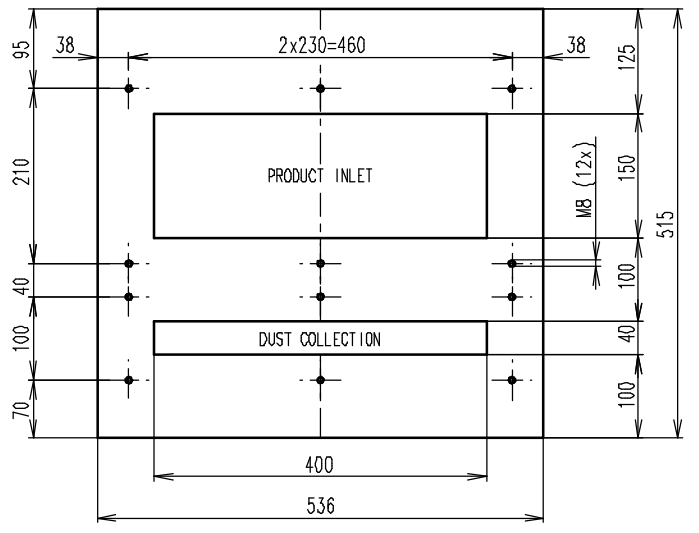
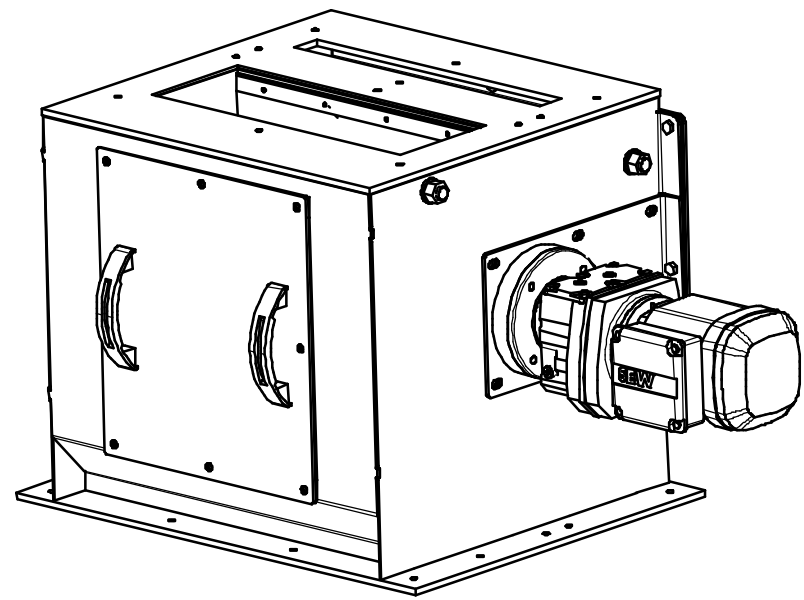


REV	DATE	BY	DESCRIPTION
D	27.12.2016	LF	ALL FLAPS AND BRUSH STRIPS MADE FROM PUR ADDED SEALING RING ON OUTER BEARING



- GEARED BOX SEW RF37DRS71S4, i=55,76, 25 RPM, FLANGE  $\phi$ 160,  
 MOTOR 0,37kW, 400V, 50Hz, IP54  
 - DRUM SPEED 24 m/min  
 - CAPACITY = 35 m<sup>3</sup>/Hr

RAW MAT.	QTY	C74_000000_D	MAT. NUMBER	MAT. DESCRIPTION	LENGTH (mm)	WIDTH (mm)
Sheet: A2		Extra Info:		General tolerance: ISO 2768 - cL		
Drawn by: LF		Weight (kg): 165		Drawn according: ISO268; ISO1101; ISO2553		
Date: 27.12.2016				Status:		
Scale: 1:6				Customer reference number:		
Quick search: SRTK		© All rights reserved. Reproduction is not permitted without written permission of GOUDSMIT Magnetische Systemen BV		Product key		
Description: DRUM MAGNET D=300, L=400, IN HOUSING		Part number: SRTK040034		Rev. D		