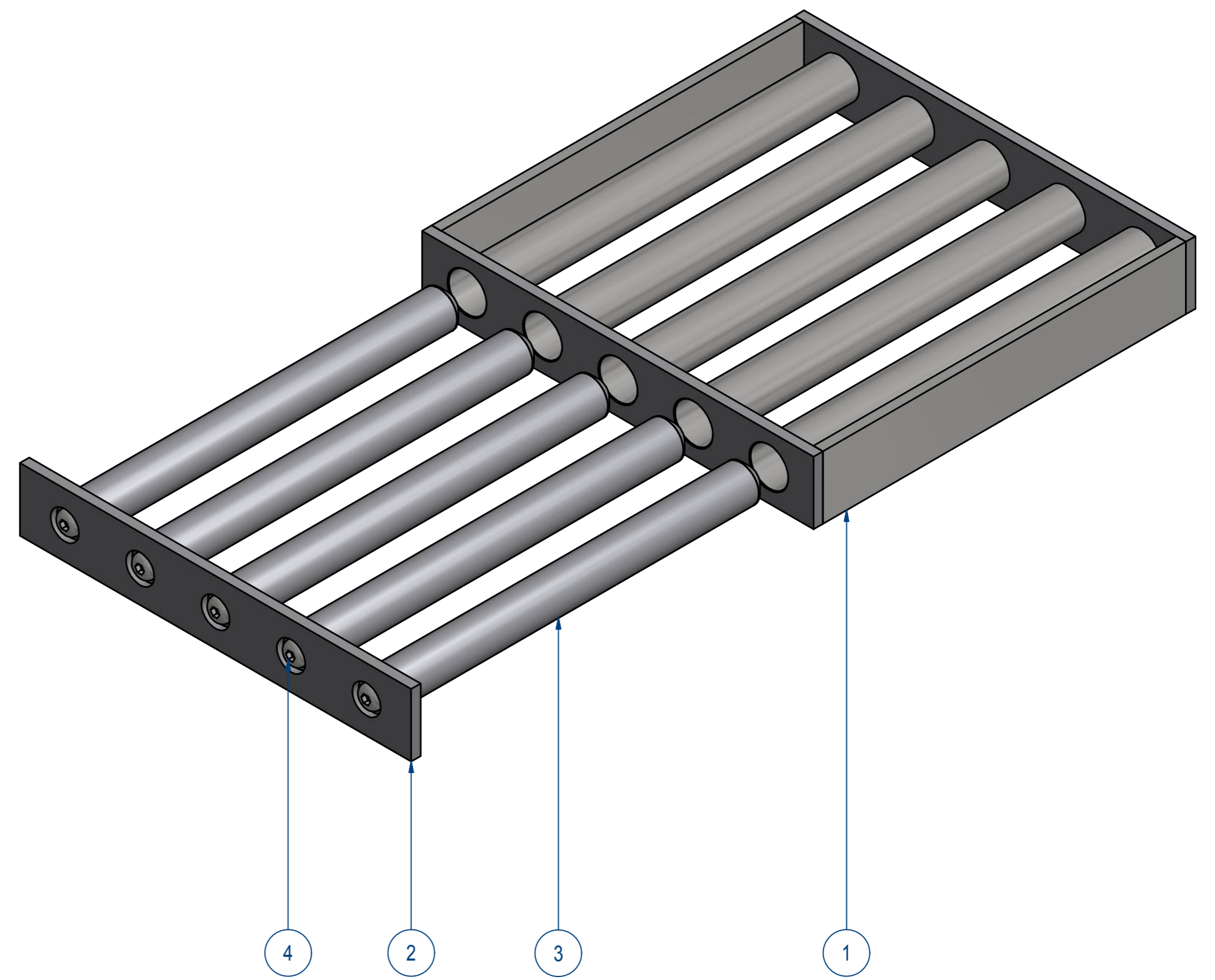
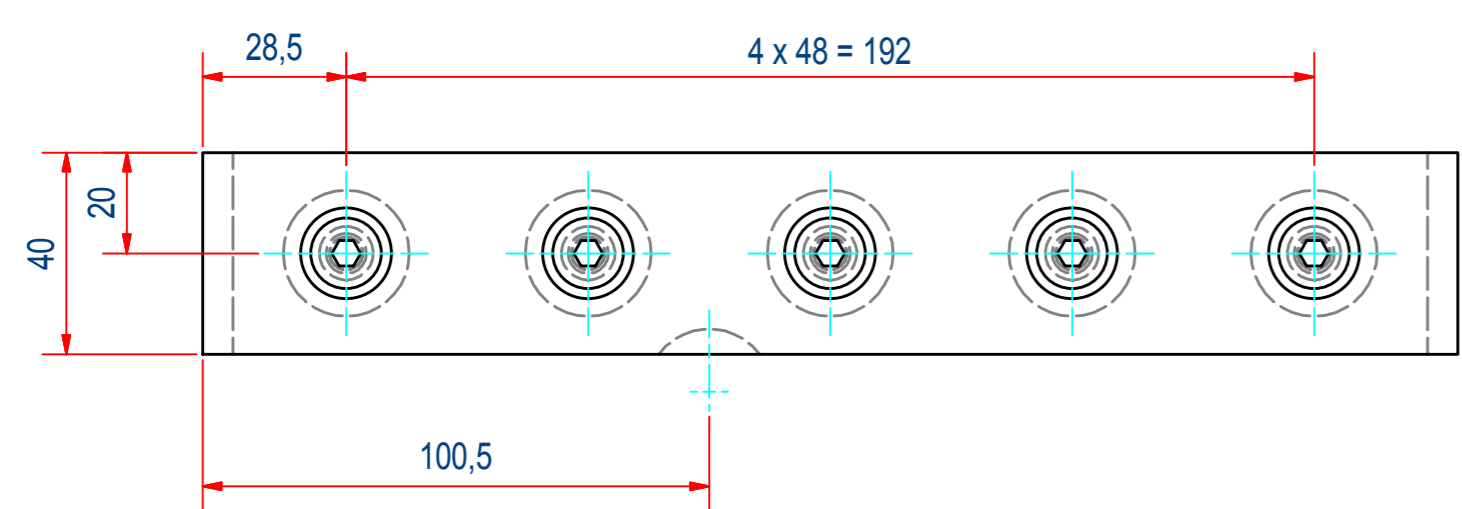
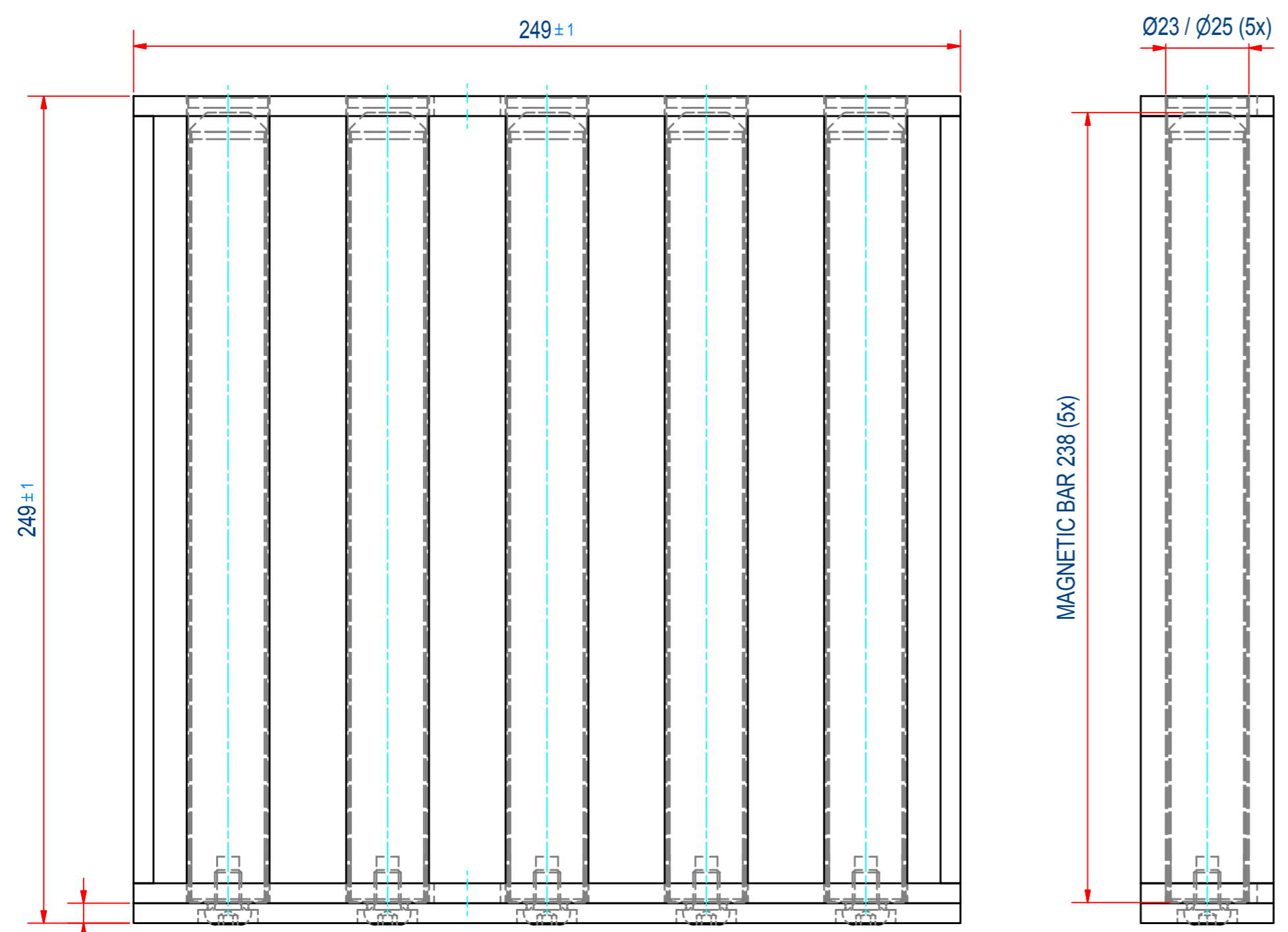


REV	DATE	BY	DESCRIPTION
-	14-6-2013	CR	NEW REVISION VAULT, OLD REV WAS D - MAGNETIC BARS CHANGED: NdFeB WAS NdFeB HT



ITEM	QTY	PART NUMBER	DESCRIPTION	Dimensions
4	5	54.1208012	SCREW, HEX S BH LOW M8x12 - A2	M8x12
3	5	SBAMB100030-238	BAR-N-23-238-25-CM8-SH-B	
2	1	S240056	FRONT MAGNET STRIP 40x6 L249	
1	1	E0020694	EXTRACTOR #249x40 5B BRAZE	

RAW MAT.	QTY	MAT. NUMBER	MAT. DESCRIPTION	LENGTH (mm)	WIDTH (mm)
1	1				

Sheet: <b>A2</b>	Extra info:	General tolerance: <b>ISO 2768 - mK</b>
Drawn: <b>CR</b>	Weight (kg): <b>6,2</b>	Drawn according: <b>ISO268; ISO1101; ISO2553</b>
Date: <b>14-6-2013</b>		Status: <b>Standard</b>
Spare part: <b>False</b>		Customer reference number:
Quick search: <b>MRNB2525</b>	© All rights reserved. Reproduction is not permitted without written permission of GOUDSMIT Magnetic Systems BV	File number: <b>SEMR252538</b>
Description: <b>SMR-N-0250x250x40-05E-S6-S</b>		Part number: <b>SEMR252538</b>