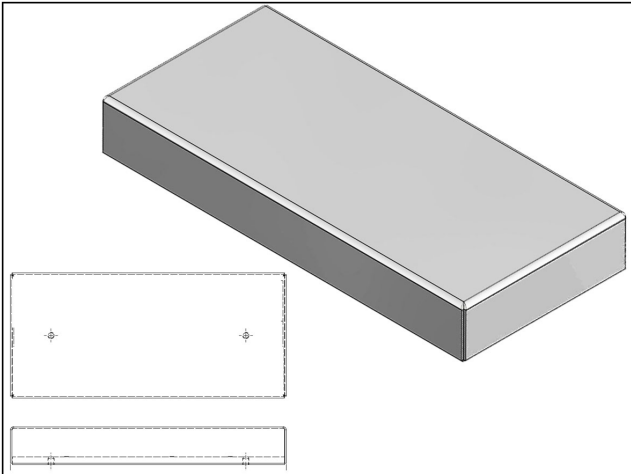


Magnetic plates ferrite

SVM-F-154x47-0340-B-F0E

SKU: SVMF020340



Product Features

Description	Ferrite plate magnet
SKU	SVMF020340
Product key	SVM-F-154x47-0340-B-F0E
Type	VMF2
Min. Fe-particle size that can be caught	0.5 mm
Advised max. installation height	60-75 mm
Cleaning/Fe-particles disposal	Manually
Interface/connection dim's	Threaded hole M8 (2x)
Material housing	AISI304 (SS 1.4301),S235JRC+C (St 1.0122)
Surface treatment/finishing	Painted
Welds	WE: intermittently welded
Colour	Red (Traffic red): RAL3020
Max. operating / product temperature	100 °C
Min./max. ambient temperature	-20 to 60 °C
Magnetic system	2 Permanent magnet poles with flux control
Magnet quality	Anisotropic ferrite GSFD-33, Br 4100 gauss (at 20 °C), Tmax. 225 °C
Magnet field strength (flux density) (±10%)	2300 gauss
Length	340 mm
Width	154 mm
Height	47 mm
Weight	13 kg

Visit our website for specifications, drawings, documentation, accessories, spare parts and more

<https://www.goudsmitmagnets.com/solutions/magnetic-filtering-separating/plate-block-magnets/plate-ferrite.html?sku=SVMF020340>