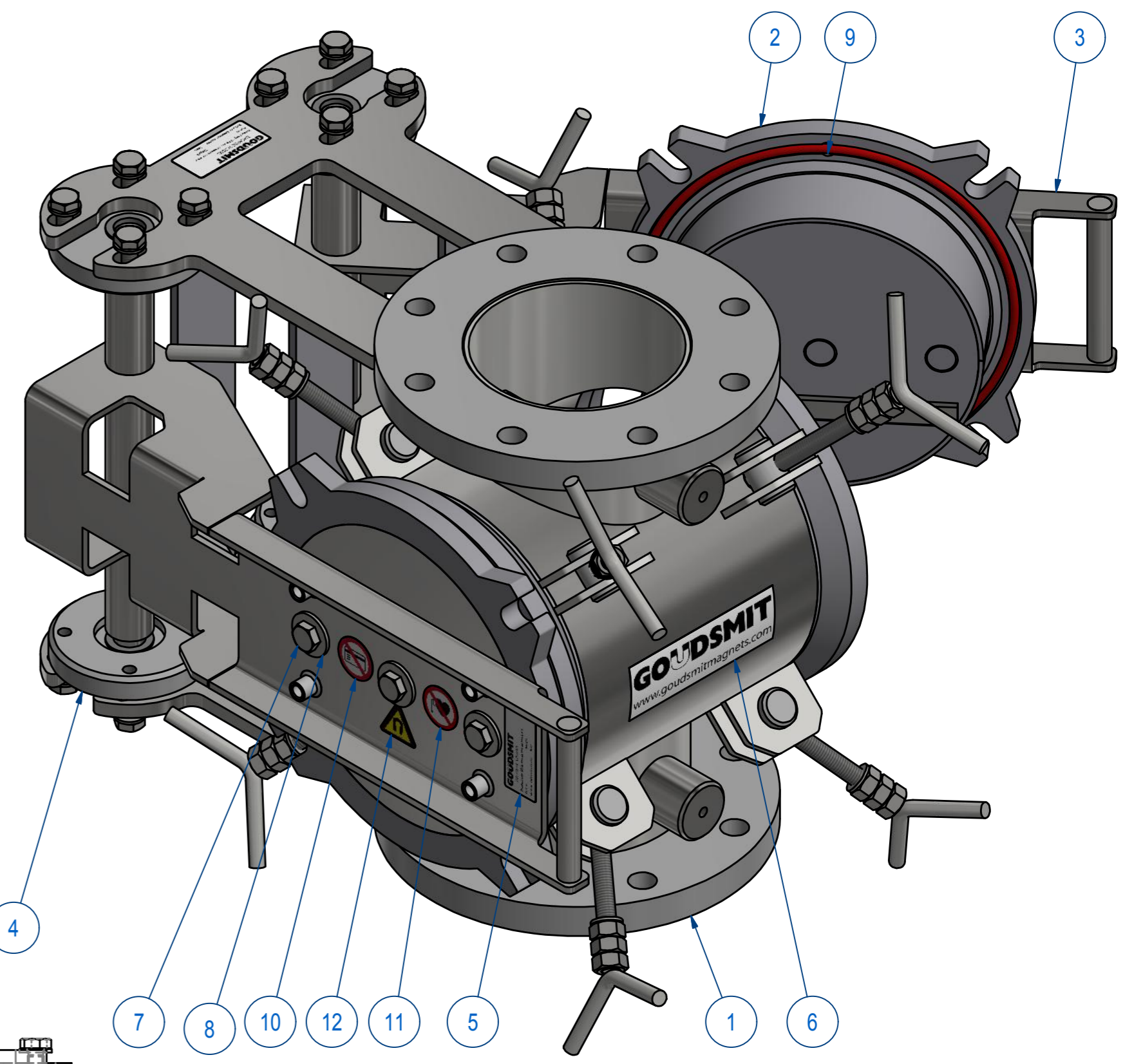
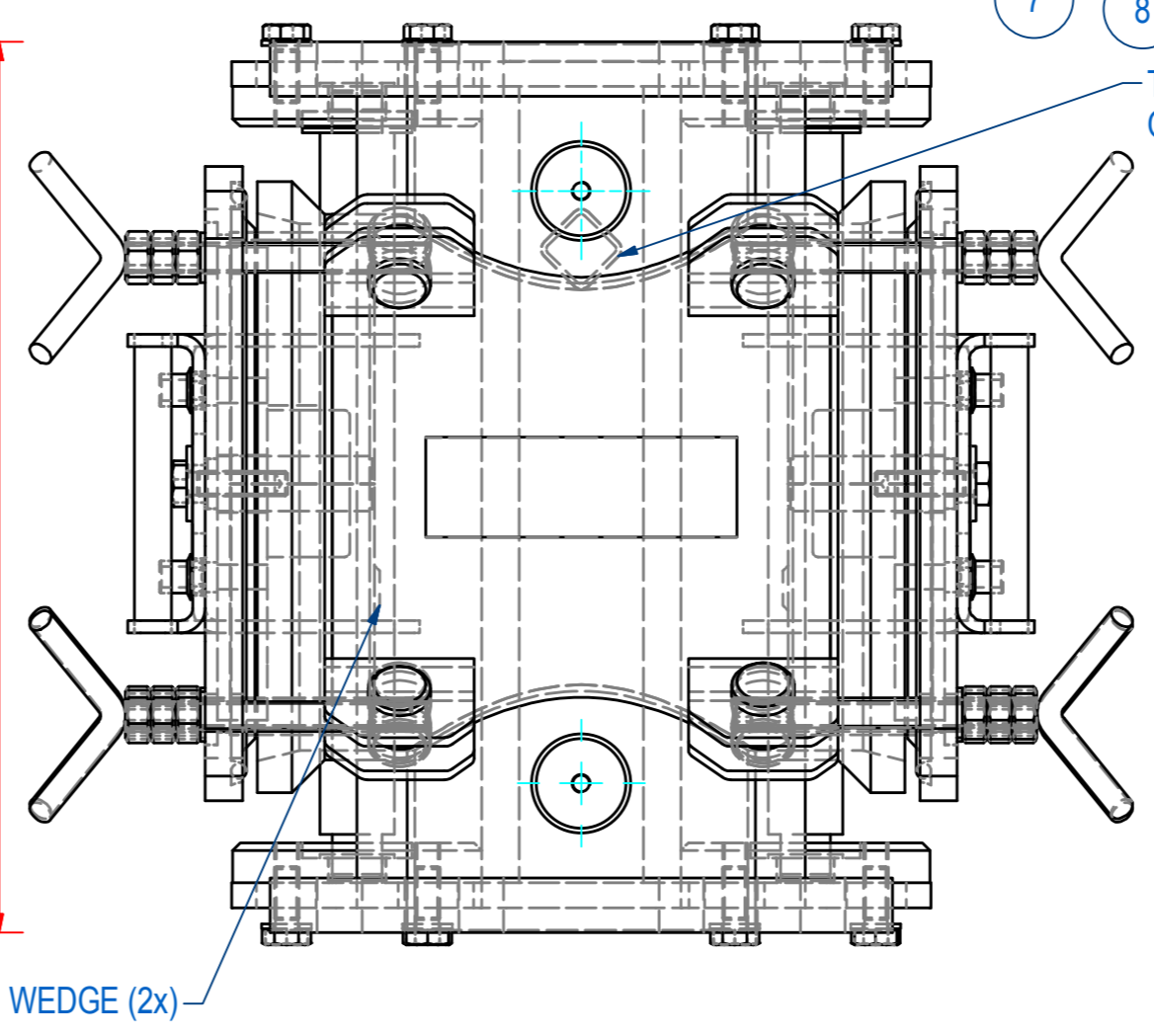
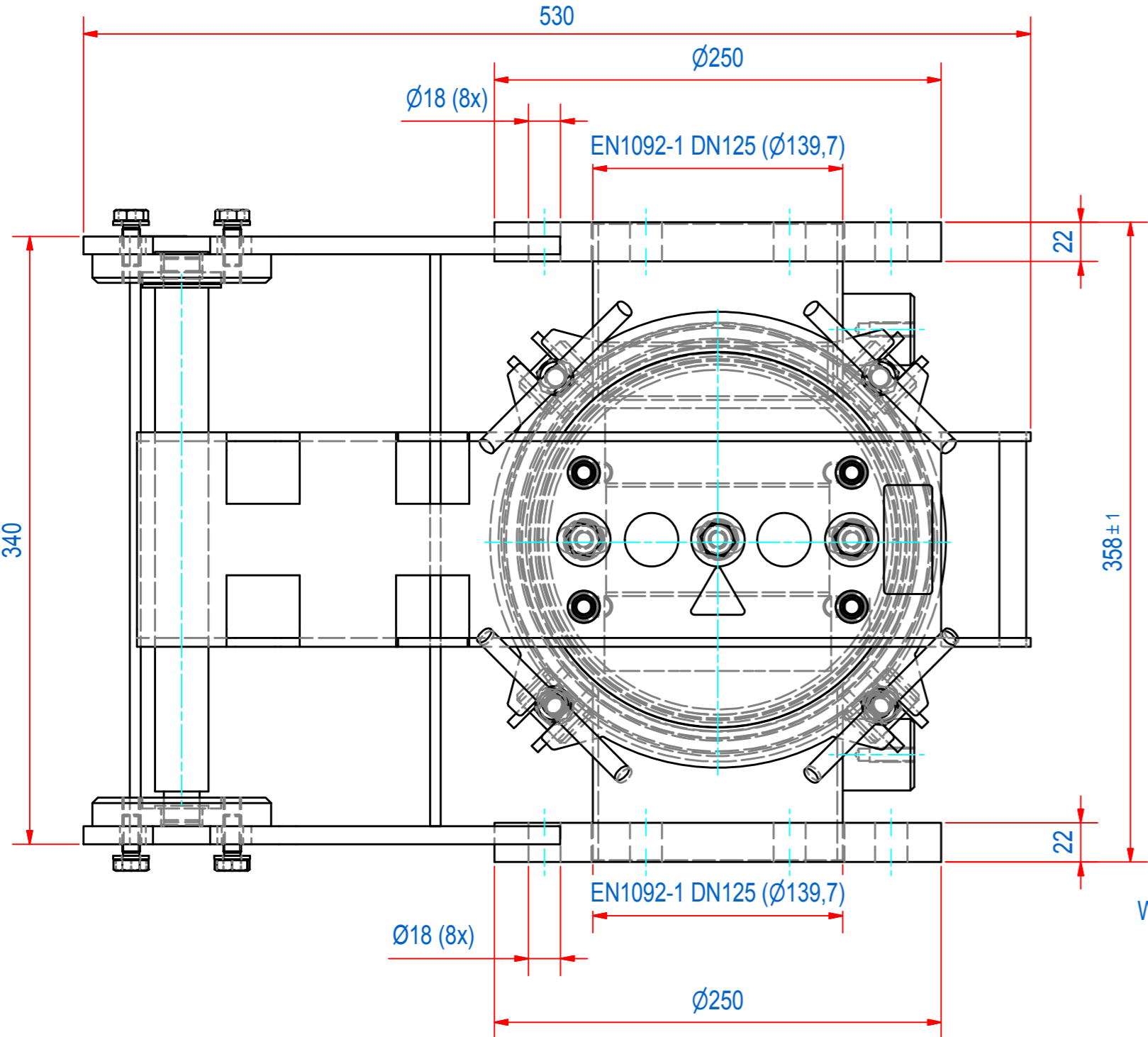
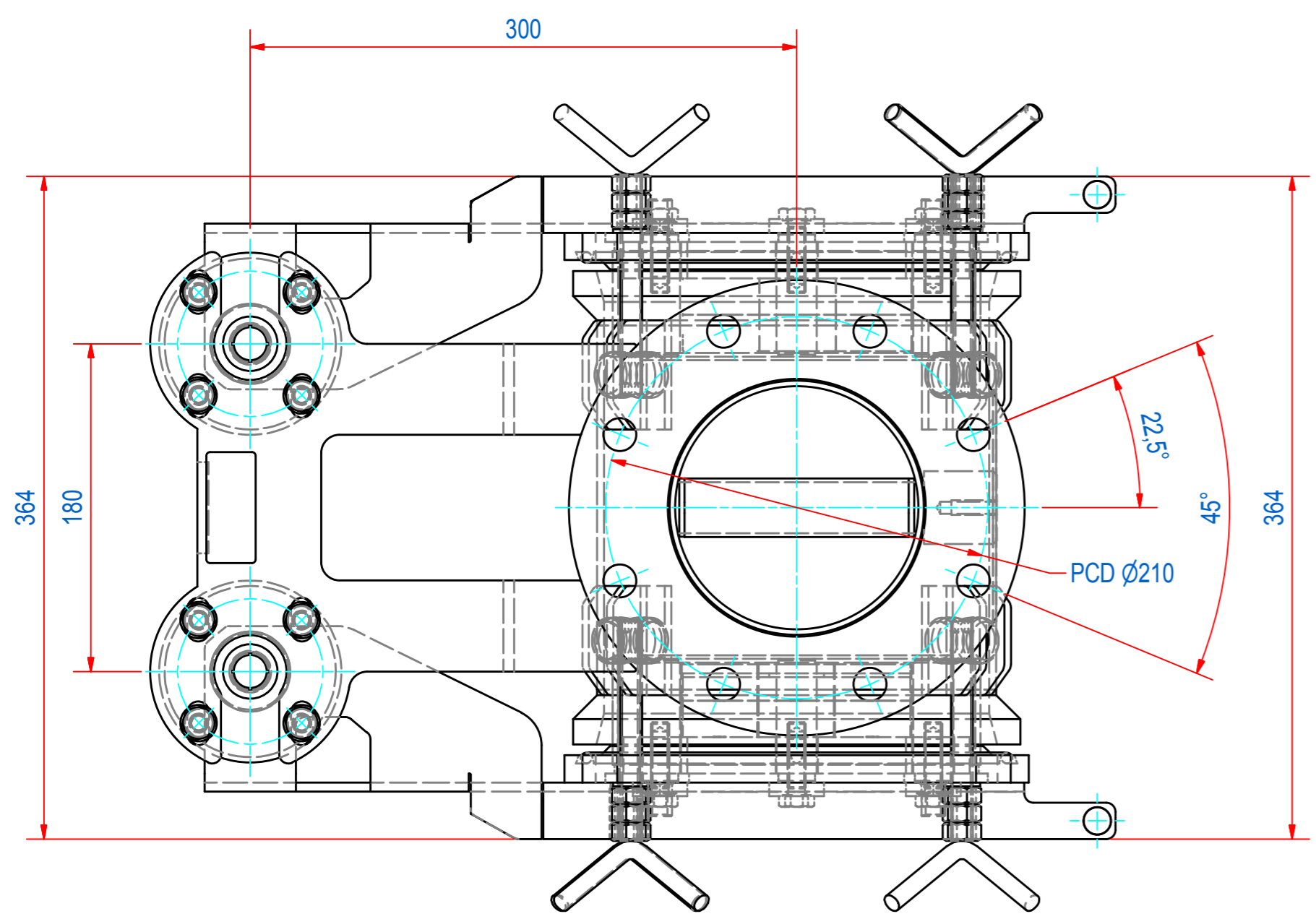


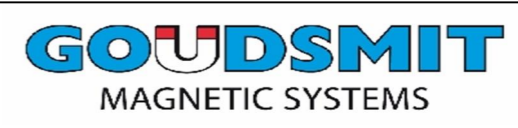
REV	DATE	BY	DESCRIPTION
-	5-6-2014	CR	NEW REVISION VAULT, NOTHING CHANGED, OLD REV WAS C
A	18-8-2014	AvD	DRAWING CORRECT (BOLTS WERE ON WRONG POSITION)
B	4-10-2018	CR	TYPE PLATE AND WARNING STICKERS ADDED, ITEM 8 CHANGED INTO WASHER M10 3xD



ITEM	QTY	PART NUMBER	DESCRIPTION	Dimensions
12	2	1000.20027	STICKER MAGNETIC FIELD 30mm	
11	2	1000.20020	STICKER PACEMAKER FORBID. D=30	
10	2	1000.20019	STICKER MAGN. CARD FORB. D=30	
9	2	78.1225600	O-RING Ø225 x 6 SILICONE EC1935	
8	6	70.9200004	WASHER 3xD M10x30 - A2	M10x30
7	6	50.1210040	BOLT, HEX M10x40 - A2	M10x40
6	1	E0097380	NAME PLATE GOUDSMIT SFN125	
5	3	E0086453	TYPE PLATE FILTER SFN	
4	2	M66613	BP000 BEARINGS [SET] AXLE D20	
3	2	M54868	HINGE DN150 304L	
2	2	M79907	FILTER TOP DN150 HINGE BP	
1	1	SEFO125001	FILTERPOT DN125 316L	

RAW MAT.	QTY	MAT. NUMBER	MAT. DESCRIPTION	LENGTH (mm)	WIDTH (mm)
1	1				

Sheet: A2	Extra info:	General tolerance: ISO 2768 - mK
Drawn: JH	Weight (kg): 76,2	Drawn according: ISO268; ISO1101; ISO2553
Date: 25-11-2010		Status: Standard
Spare part: False		Customer reference number:
Quick search: FSN125		File number: SZFN001460
Description: SFN-125-IF-020-N-F1m-S-B-B		Part number: SZFN001460



© All rights reserved. Reproduction is not permitted without written permission of GOUDSMIT Magnetic Systems BV