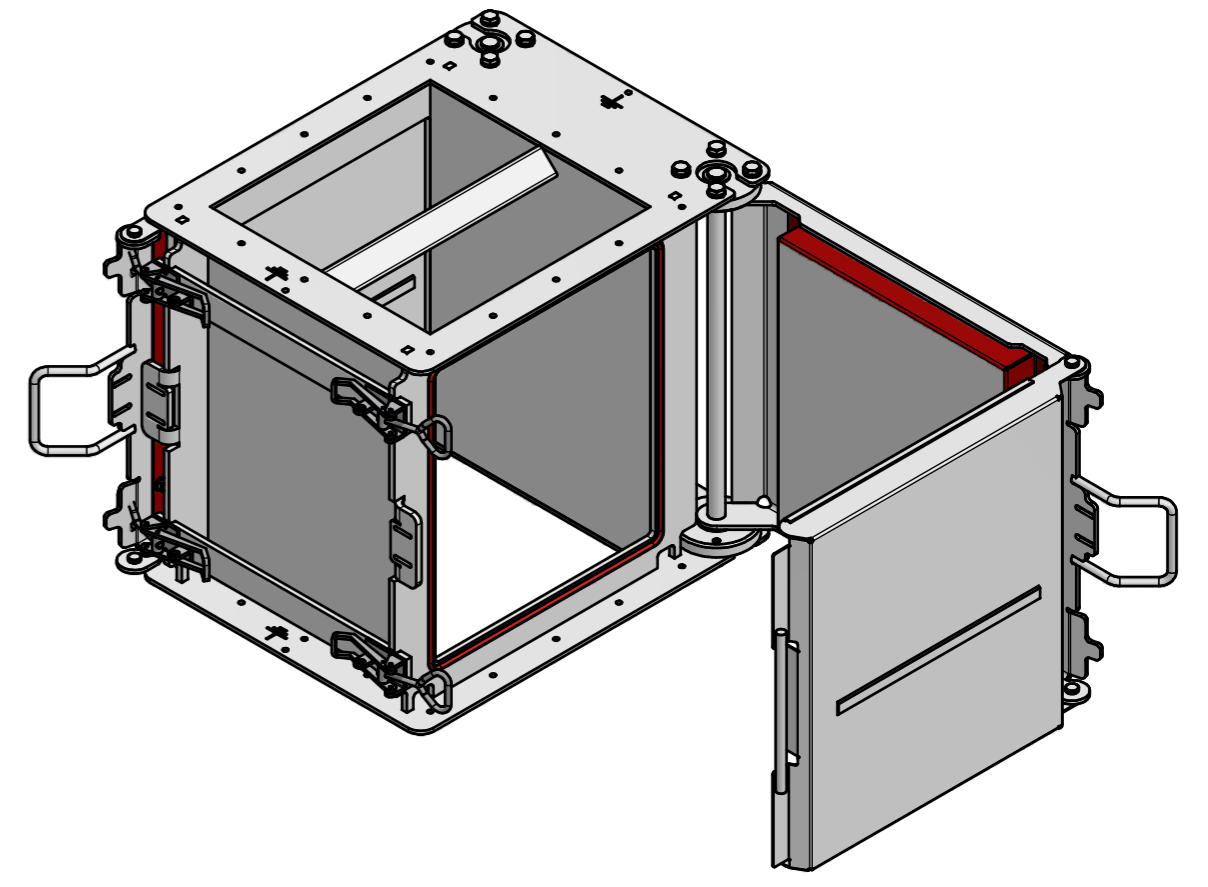
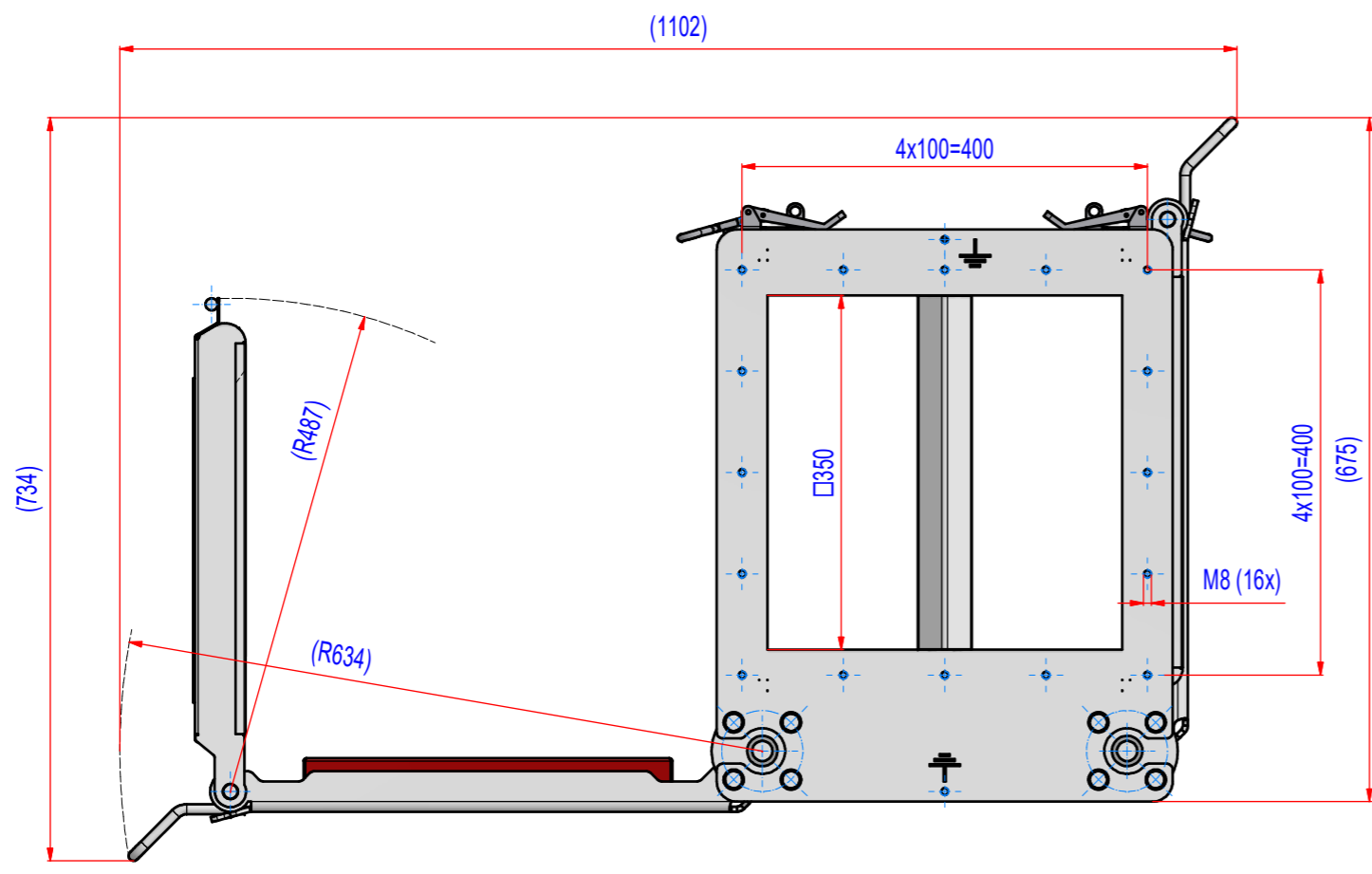
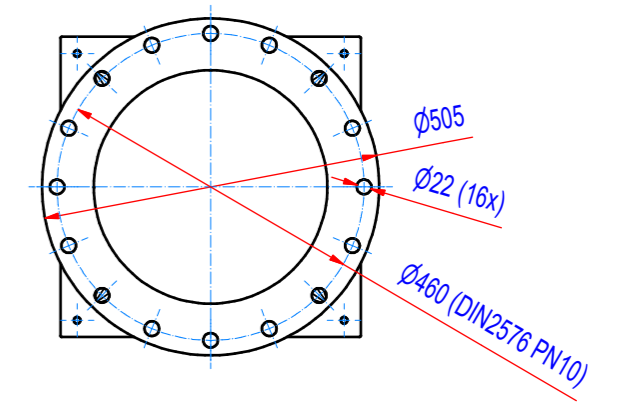
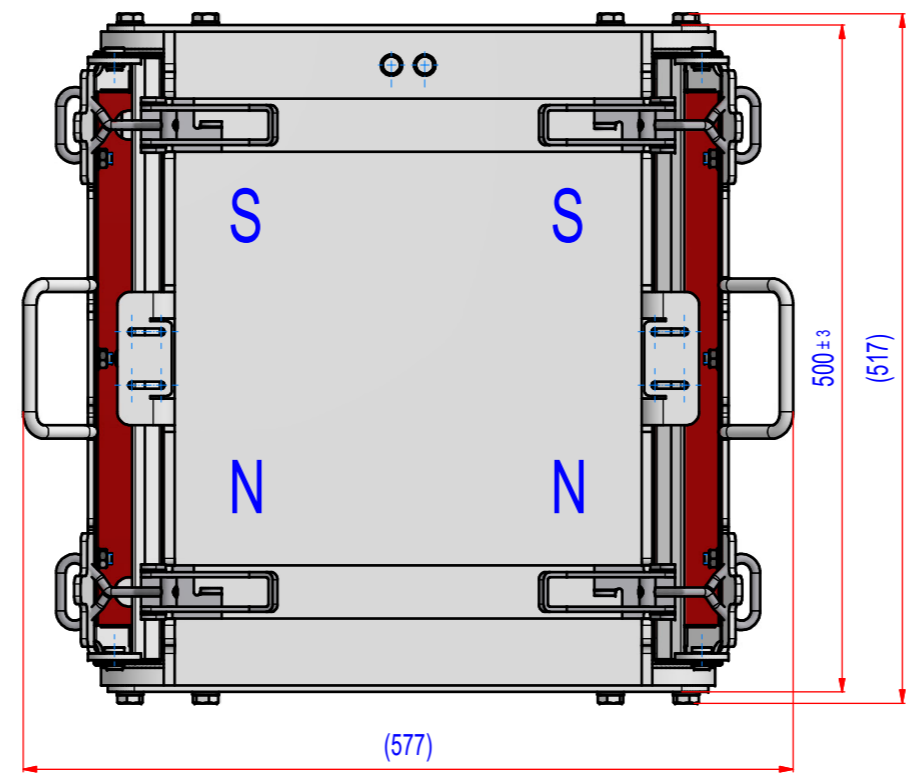
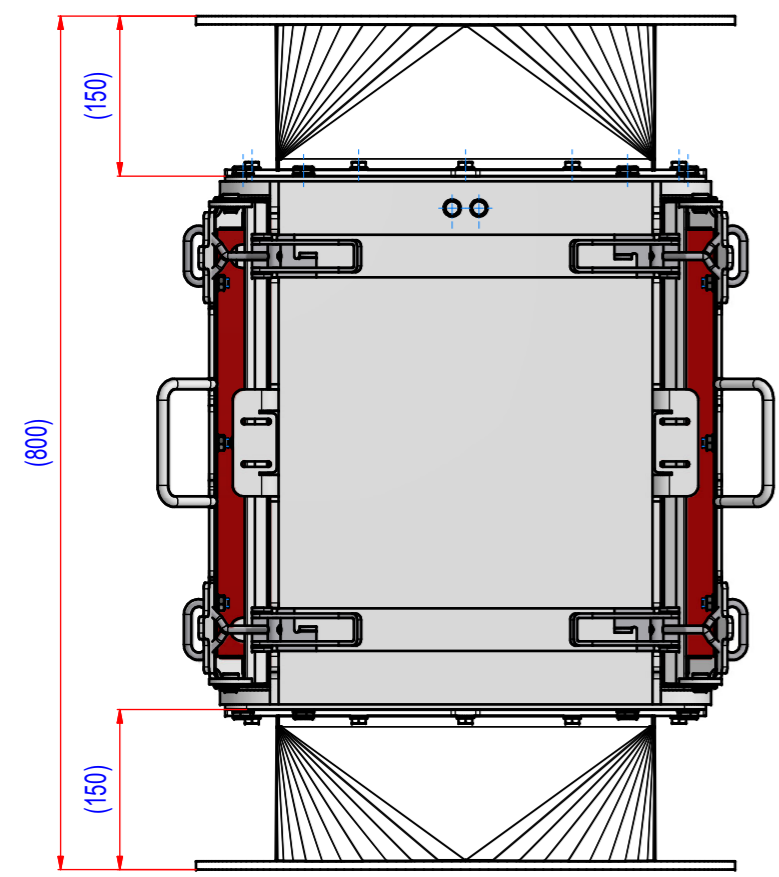


REV	DATE	BY	DESCRIPTION
E	24.10.2018	PW	Surce SBPN353500_D, change of concept



OPTION: SBPN353500 WITH ADAPTER TO DN350



POZ./POS.	Č. SOUČÁSTI/ PART NUMBER	POPIS / DESCRIPTION	HMOT./ WEIGHT
1	A513_000000	SBPN353500	152,9
Sheet: A2 Drawn: PW Date: 24.10.2018 Predecessor:		Extra info: GOUDSMIT MAGNETIC SYSTEMS <small>© All rights reserved. Reproduction is not permitted without written permission of GOUDSMIT Magnetic Systems BV</small>	General tolerance: ISO 2768 - cL Drawn according: ISO268; ISO1101; ISO2553 Status: Customer reference number: Product key: SBP-3535-N-F1E-B-B Part number: SBPN353500 Rev: E
Quick search: XSBP 350 Description: External pole magnet with square connection			