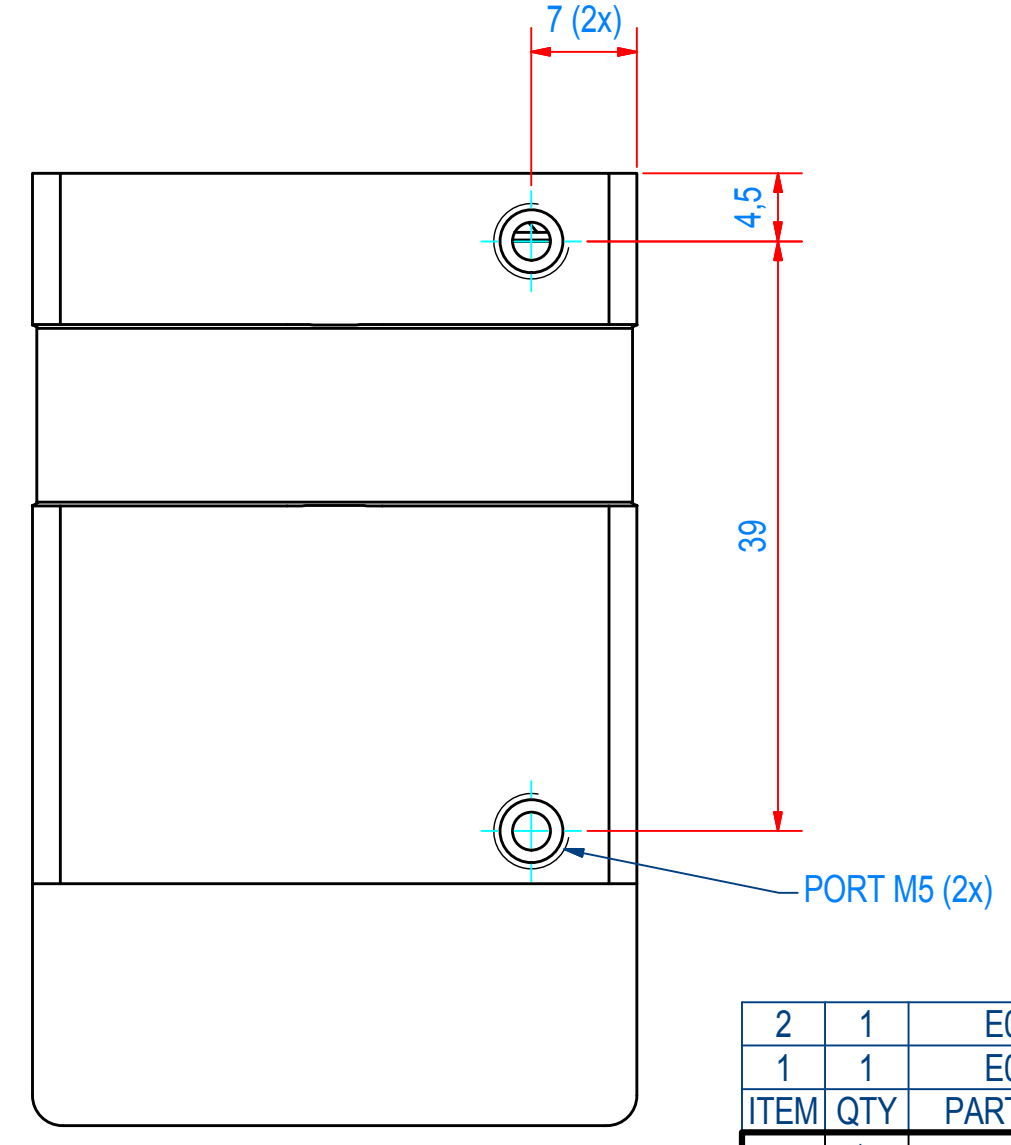
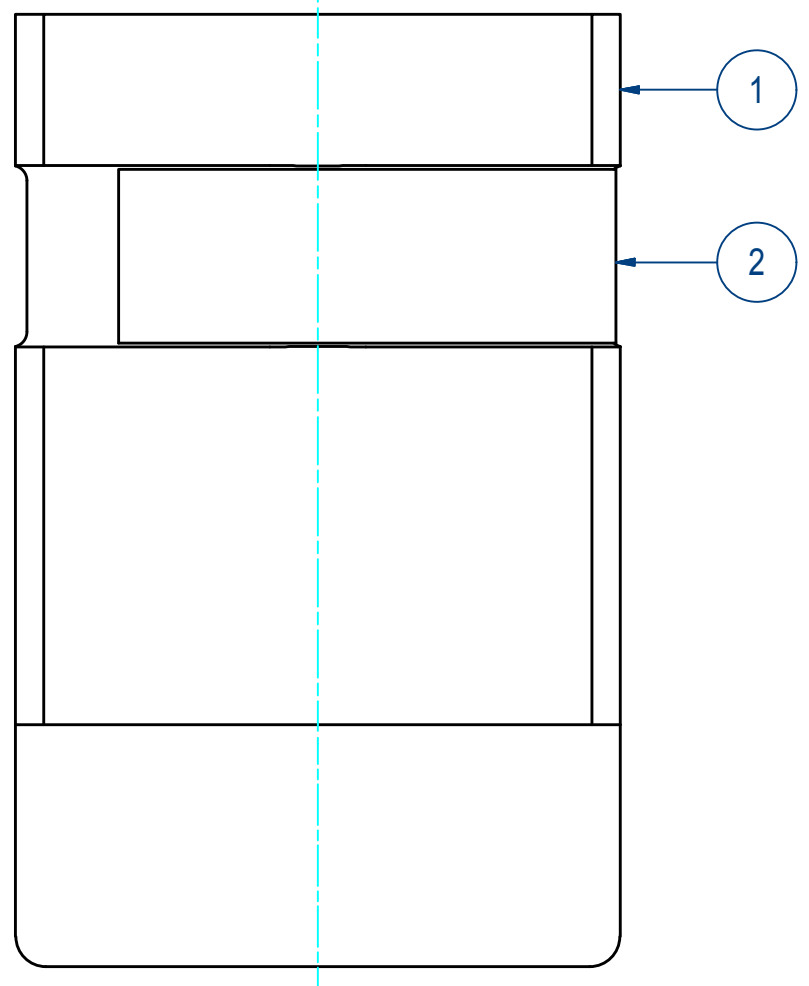
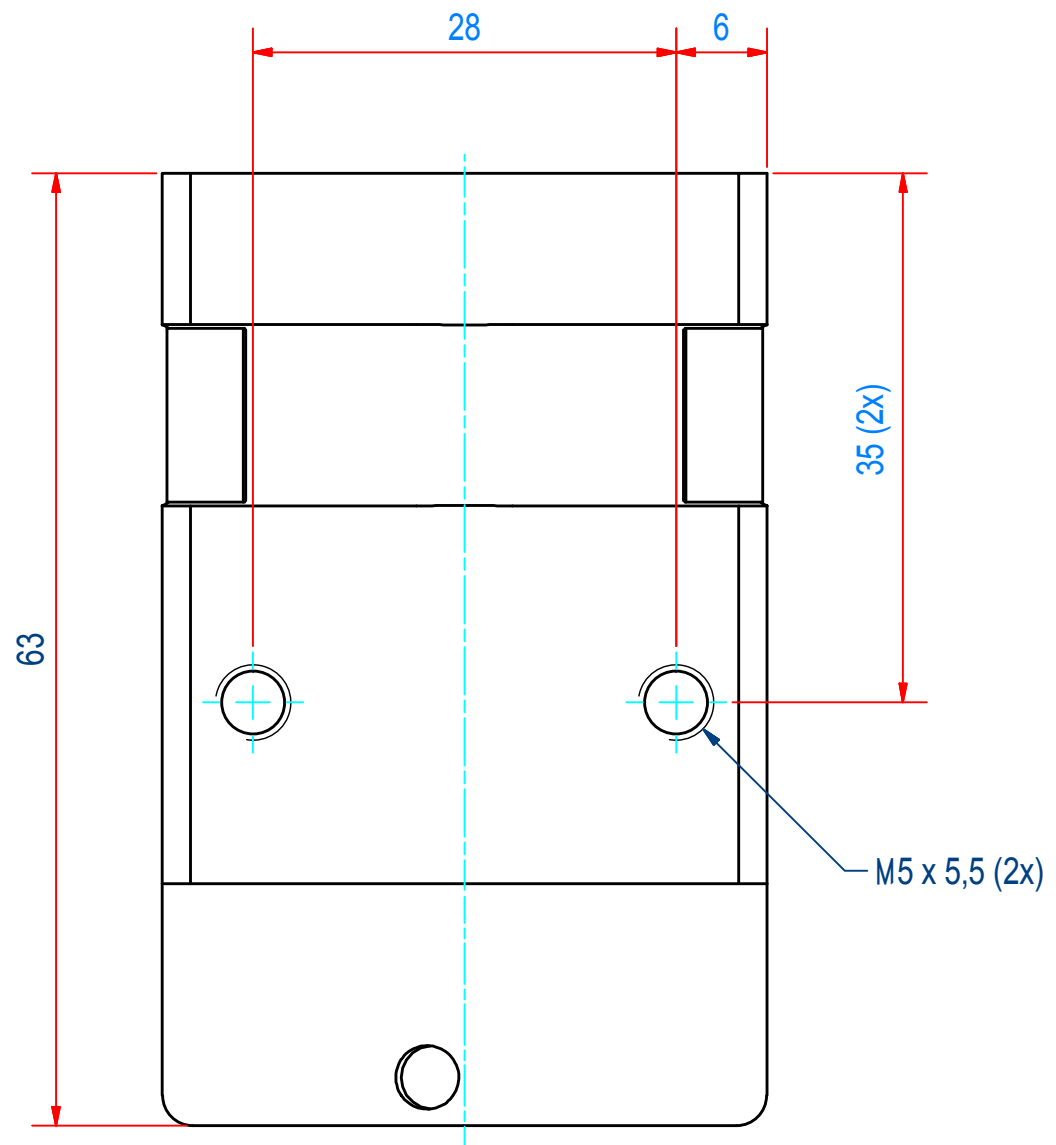
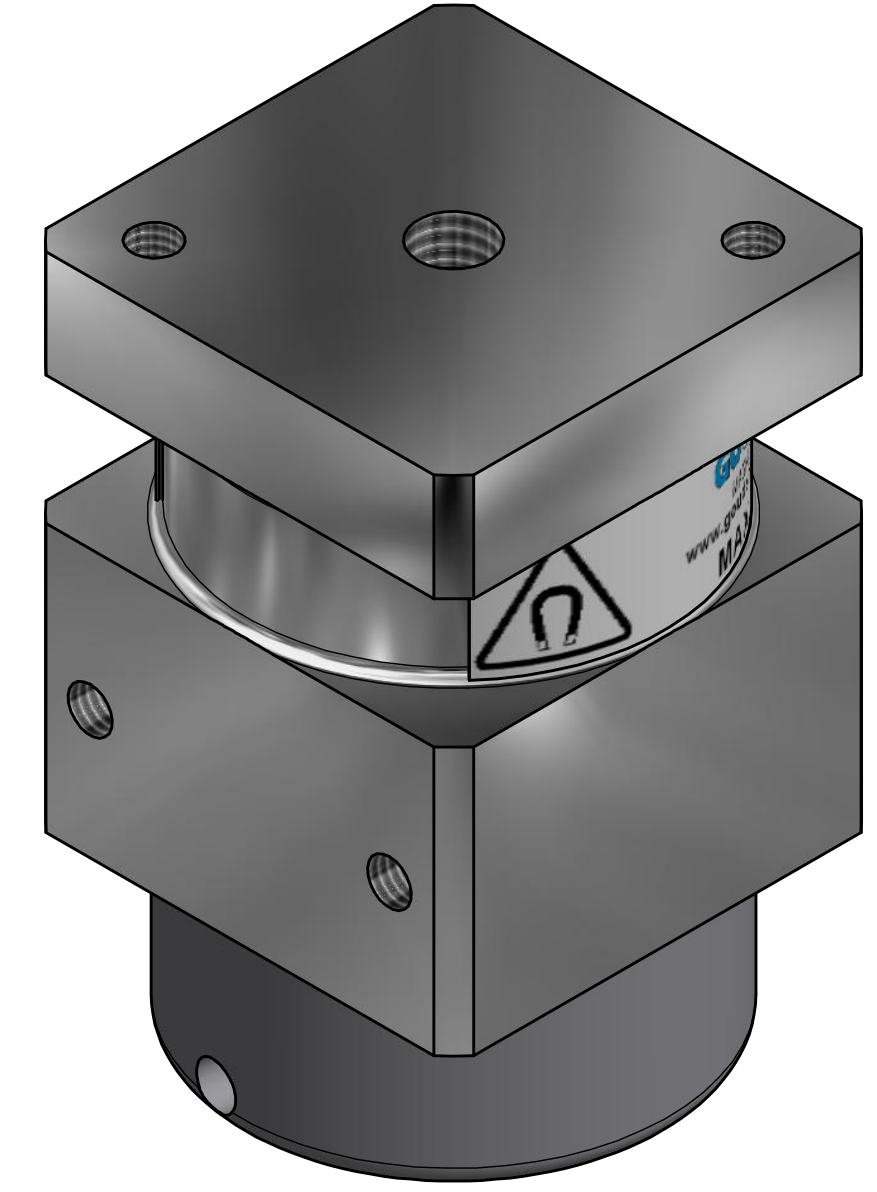
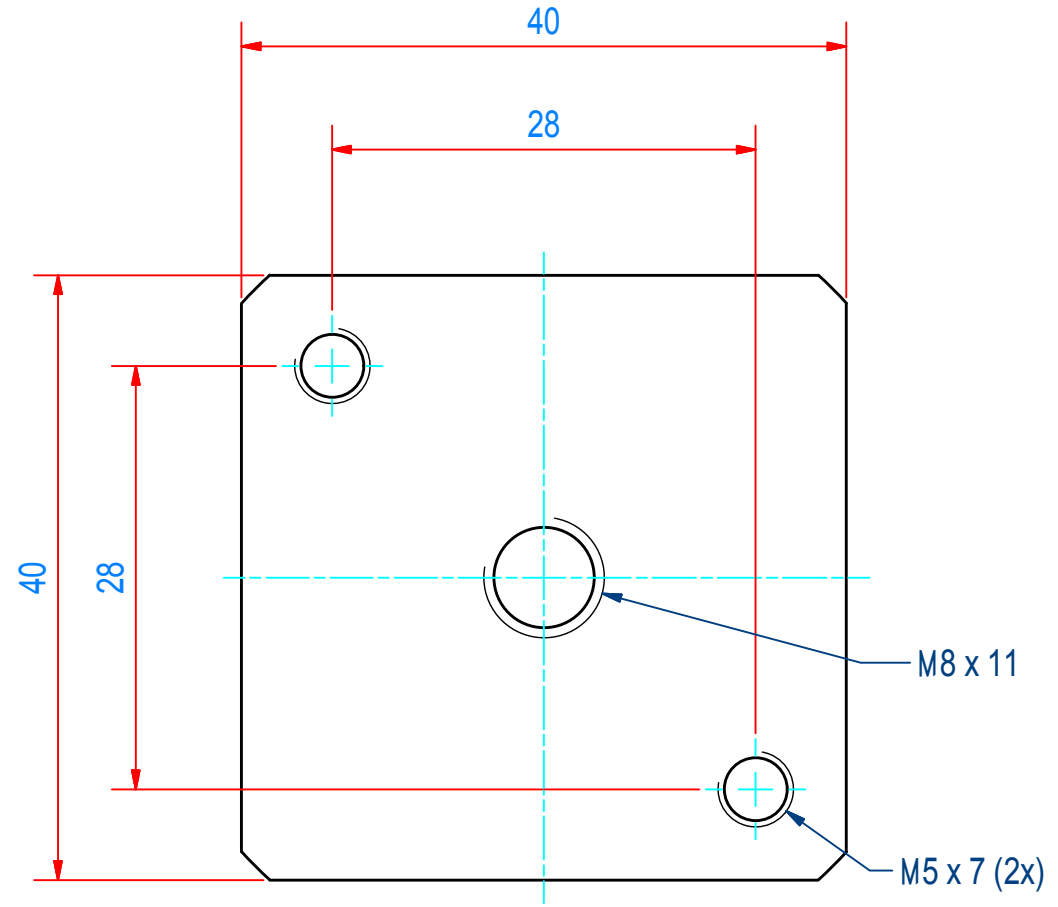


REV	DATE	BY	DESCRIPTION
-	9-7-2013	BS	NEW VAULT, NOTHING CHANGED, IS EQUAL TO OLD REVISION A
A	3-12-2014	GS	MOUNTING ASSY WAS A190496
B	12-11-2015	AvD	ITEM 1 CHANGED: E0044336 WAS E0025632



ITEM	QTY	PART NUMBER	DESCRIPTION	Dimensions
2	1	E0038038	STICKER TPGC040378	
1	1	E0044336	MOUNTING ASSY TPGC040378	

RAW MAT.	QTY	MAT. NUMBER	MAT. DESCRIPTION	LENGTH (mm)	WIDTH (mm)
⊕	1				

Sheet: A2	Extra info: AMBIENT TEMP. MAX. 120°C	General tolerance: ISO 2768 - mK
Drawn: AvD	Weight (kg): 0,2	Drawn according: ISO268; ISO1101; ISO2553
Date: 12-11-2015		Status: Standard
Spare part: False		Customer reference number:
Quick search: TPGC040	© All rights reserved. Reproduction is not permitted without written permission of GOUDSMIT Magnetic Systems BV	File number: TPGC040378
Description: HGR-SQ-040-FL-RH-M-F		Part number: TPGC040378