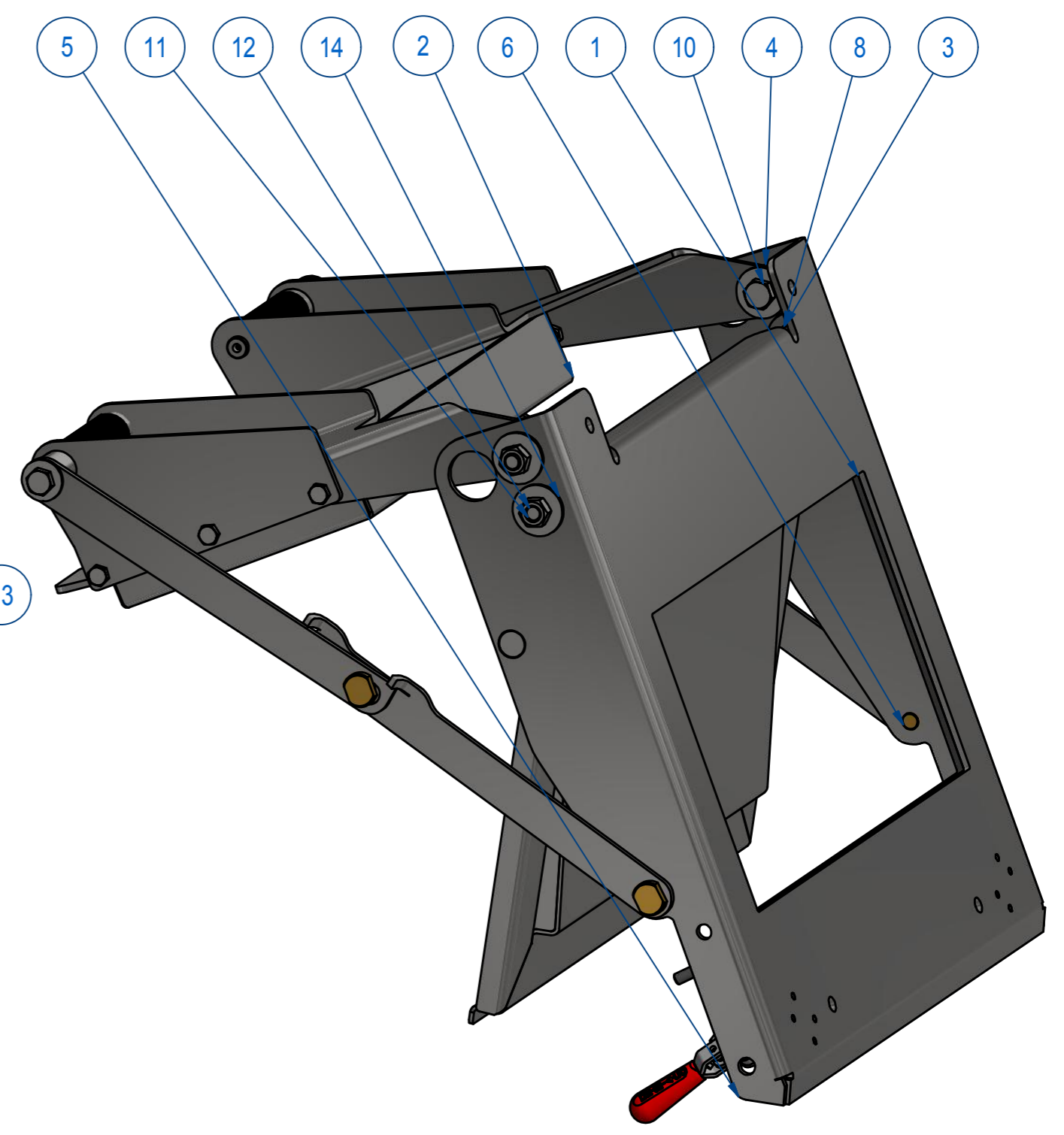
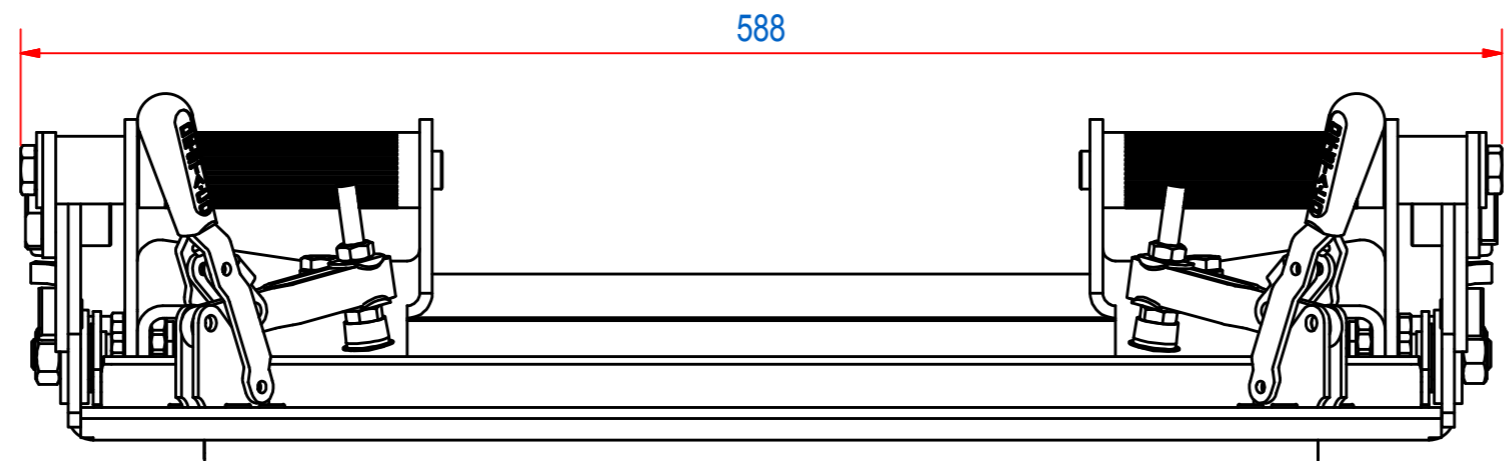
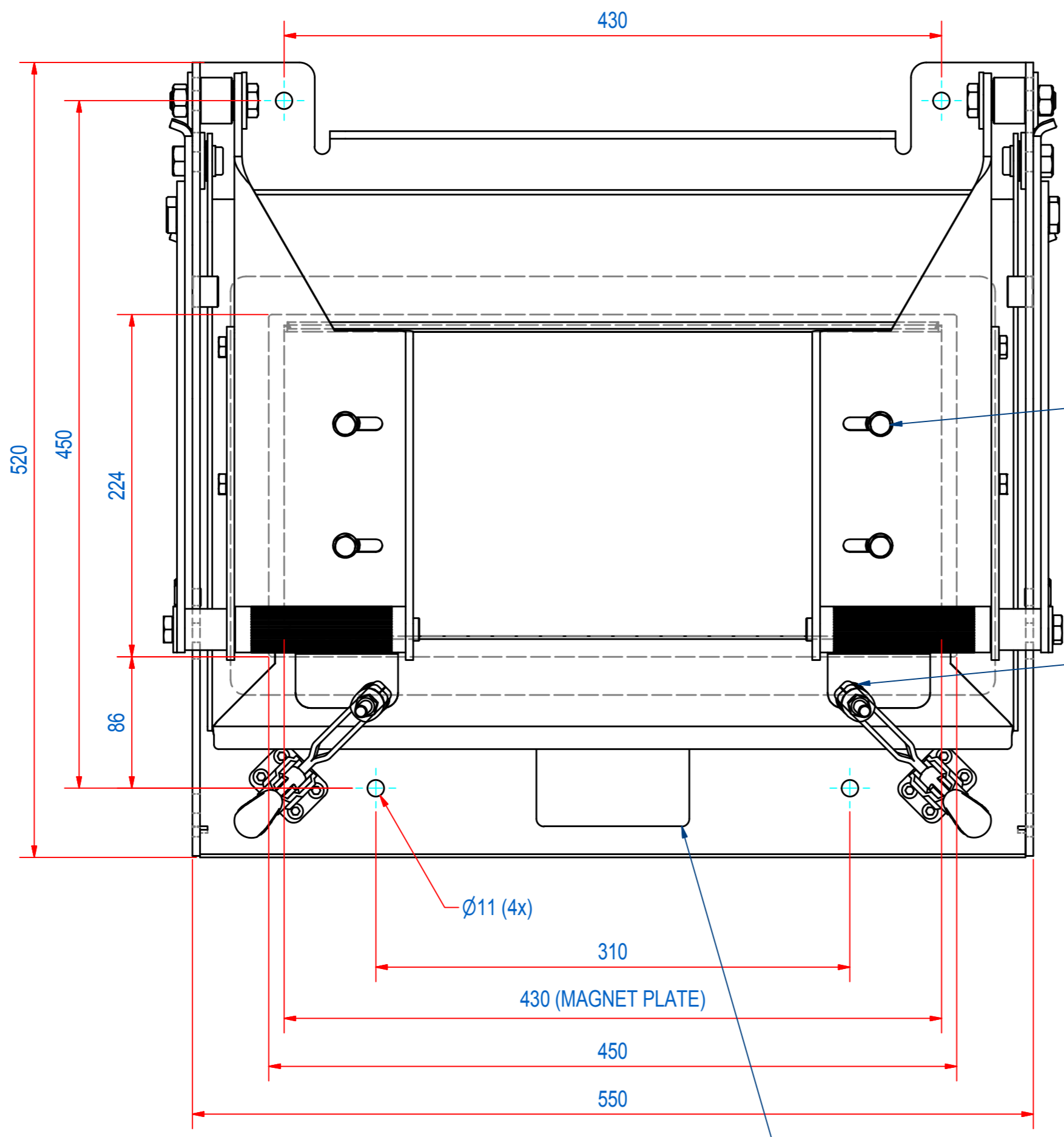
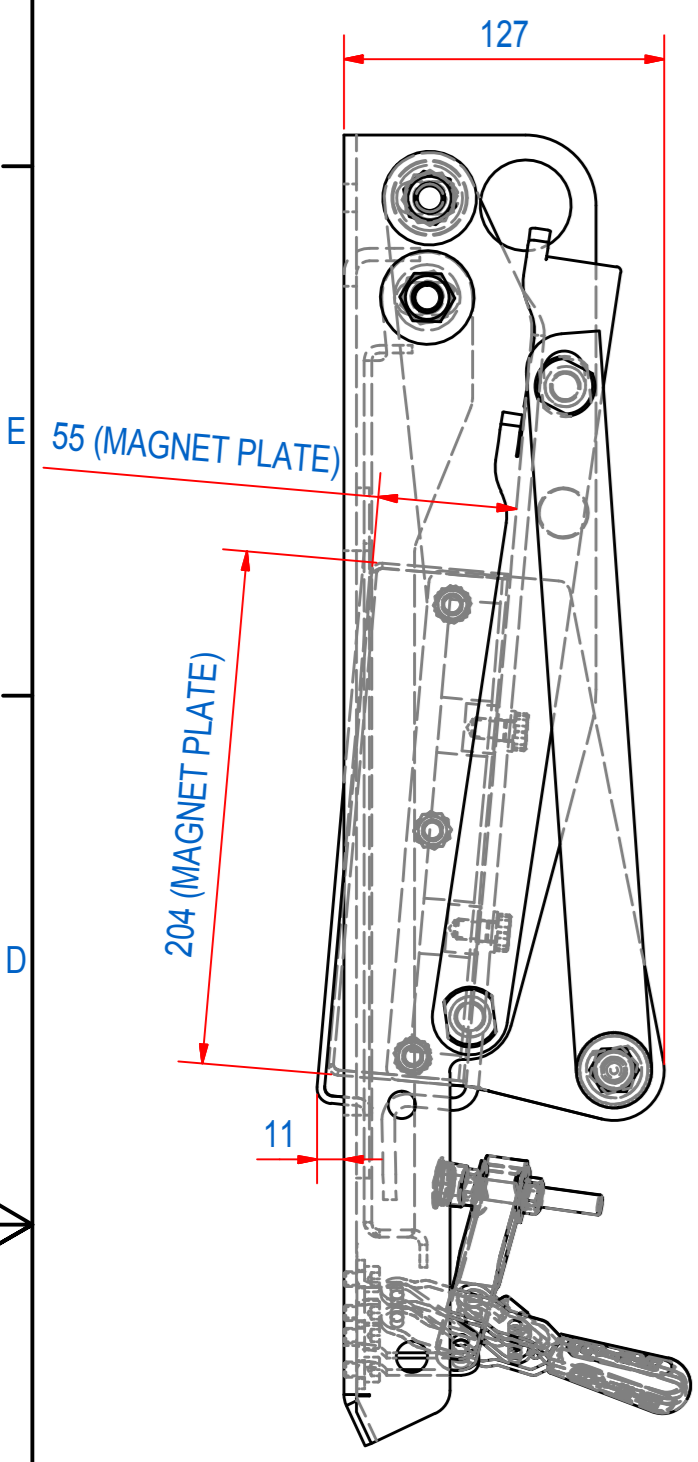


REV	DATE	BY	DESCRIPTION
-	21-5-2014	FS	ORIGINAL DRAWING
A	27-1-2016	CR	COVER PLUG (ITEM 14) ADDED
B	12-10-2017	CR	TYPE PLATE ADDED



SAFETY BLOCK ADDED ACCORDING TO MODEL E0014813

ITEM	QTY	PART NUMBER	DESCRIPTION	Dimensions
15	2	1009.00004	COVER PLUG HOLE Ø16.8	
14	8	70.9200005	WASHER 3xD M12x37 - A2	M12x37
13	4	70.0200008	WASHER M 8- A2	M 8
12	4	60.0200012	NUT, HEX M12 - A2	M12
11	2	51.0212020	SCREW, HEX SH M12 x 20 - A2	M12 x 20
10	2	50.1212050	BOLT, HEX M12x50 - A2	M12x50
9	4	50.1208016	BOLT, HEX M8x16 - A2	M8x16
8	4	15.0001820	BEARING IGLIDUR GFM-1820-06	
7	1	E0084040	SCH_ CHUTE NO ATEX	
6	1	E0013165	DOUBLE GRIP CHUTE MAGNET	
5	1	E0015453	ASSY GROUNDPLATE 450	
4	2	E0013049	BUSH D30xd12xH27,5 AISI304	
3	1	E0015456	ASSY EXTRACTOR PLATE 450	
2	1	SVMN020430	SVM-N-204x55-0430-B-F1M	
1	1	E0015458	GASKET FOR VMN22-450	

ITEM	QTY	PART NUMBER	DESCRIPTION	Dimensions
RAW MAT.	1			
Sheet:	A2	Extra info:	General tolerance:	ISO 2768 - mK
Drawn:	FS	Weight (kg):	54	Drawn according:
Date:	7-4-2014			ISO268; ISO1101; ISO2553
Spare part:	False			Status:
Quick search:	VMMN22-450			Standard
Description:	SCH-M-N-204x55-0450-B-B-B			Customer reference number:
				File number:
				E0084048
				Rev:
				B
				Part number:
				E0015446
				Rev:
				B

GOUDSMIT
MAGNETIC SYSTEMS

© All rights reserved. Reproduction is not permitted without written permission of GOUDSMIT Magnetic Systems BV