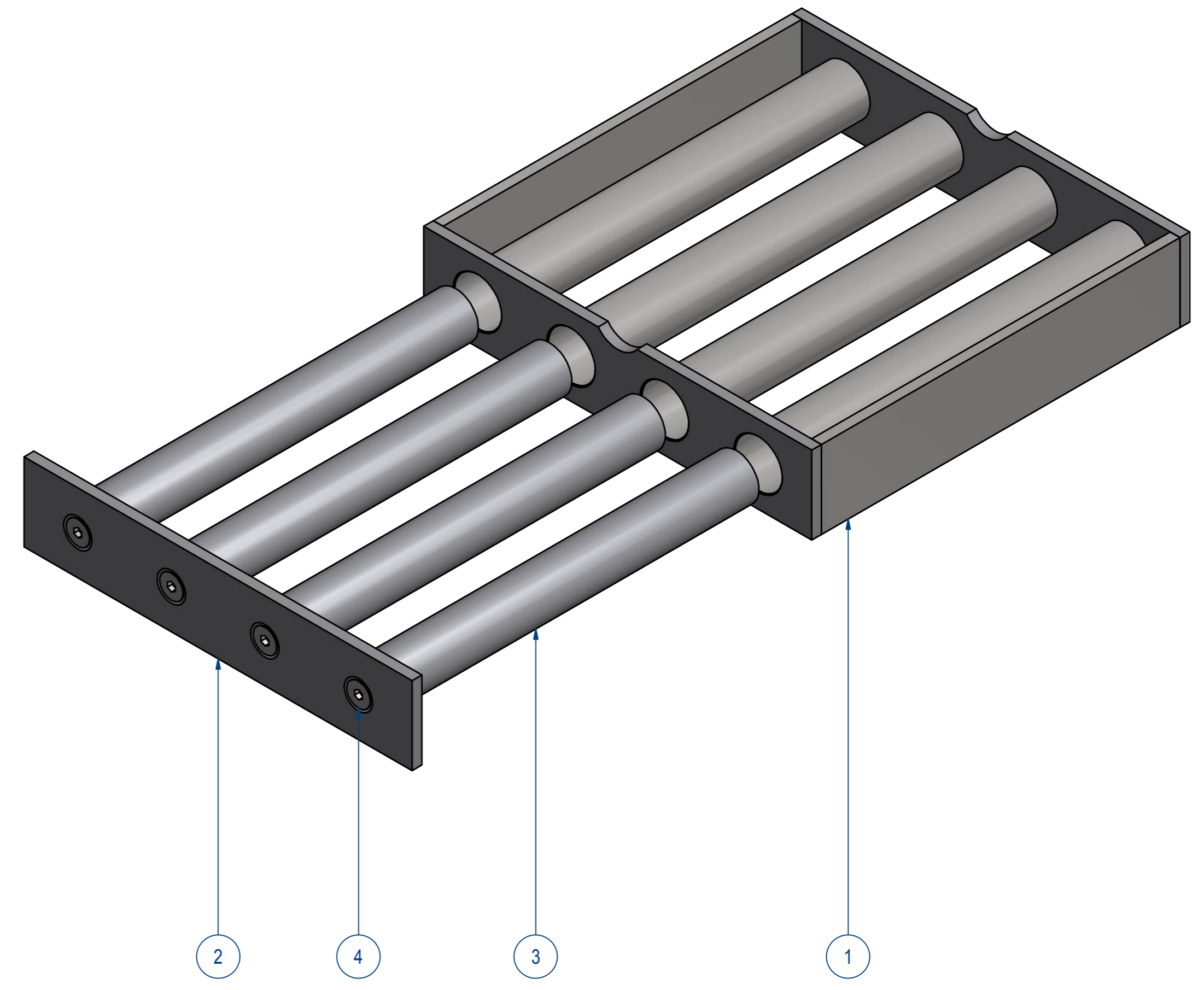
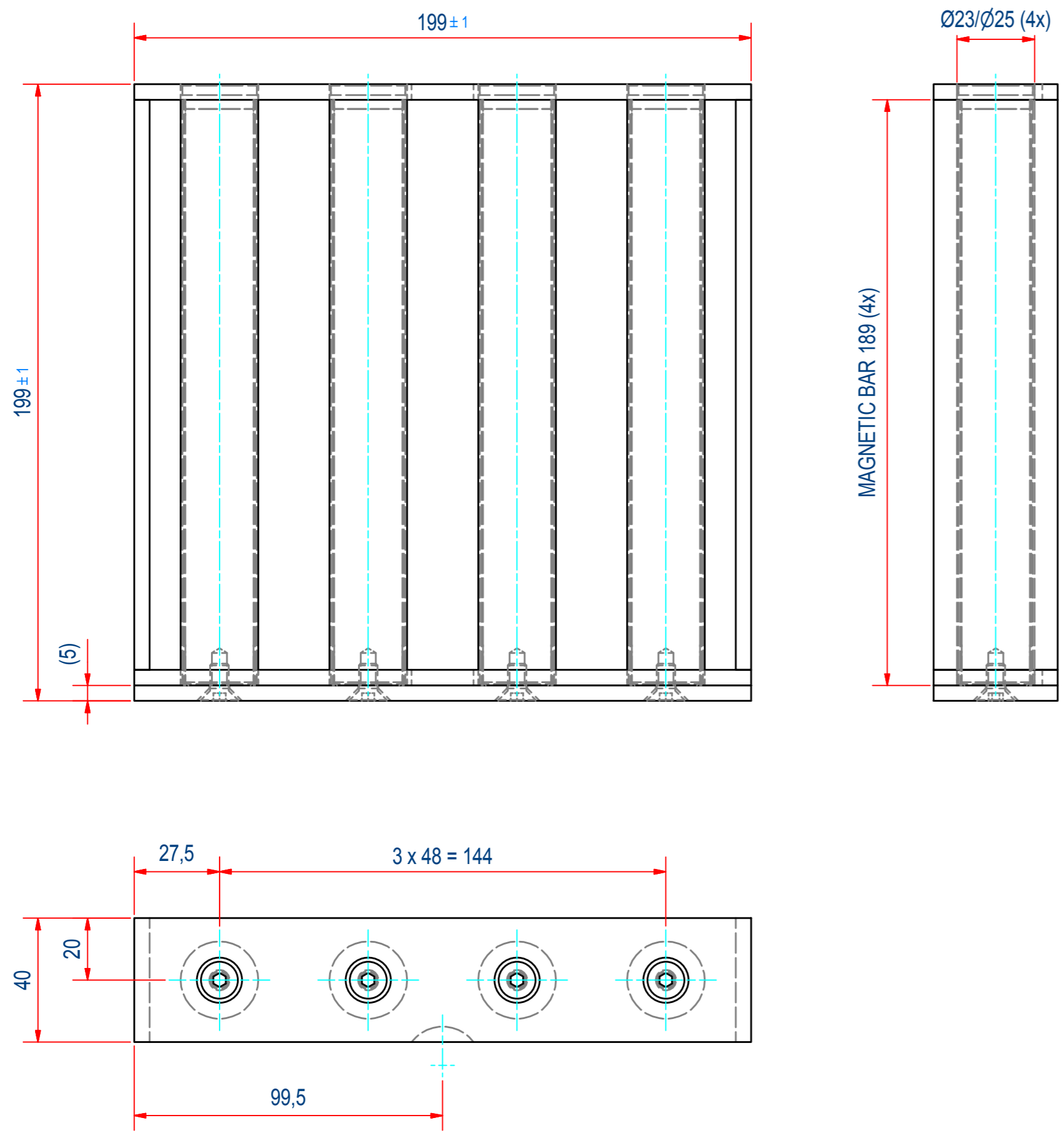


REV	DATE	BY	DESCRIPTION
-	29-7-2013	CR	NEW REVISION VAULT, NOTHING CHANGED, OLD REV WAS C



ITEM	QTY	PART NUMBER	DESCRIPTION	Dimensions
4	4	52.0206012	SCREW, HEX S CS M6x12 - A2	M6x12
3	4	SBAMA100010-189	BAR-N-23-189-25-1M6-NW-B	
2	1	S240044	FRONT MAGNET STRIP 40x5 L199	
1	1	E0020665	EXTRACTOR #199x40 4B BRAZE	

RAW MAT.	QTY	MAT. NUMBER	MAT. DESCRIPTION	LENGTH (mm)	WIDTH (mm)
⊕	1				

Sheet: A2	Extra info:	General tolerance: ISO 2768 - mK
Drawn: CR	Weight (kg): 4	Drawn according: ISO268; ISO1101; ISO2553
Date: 29-7-2013		Status: Standard
Spare part: False		Customer reference number:
Quick search: MRNB2020	© All rights reserved. Reproduction is not permitted without written permission of GOUDSMIT Magnetic Systems BV	File number: SEMR202038
Description: SMR-N-0200x200x40-04E-S6-S		Part number: SEMR202038