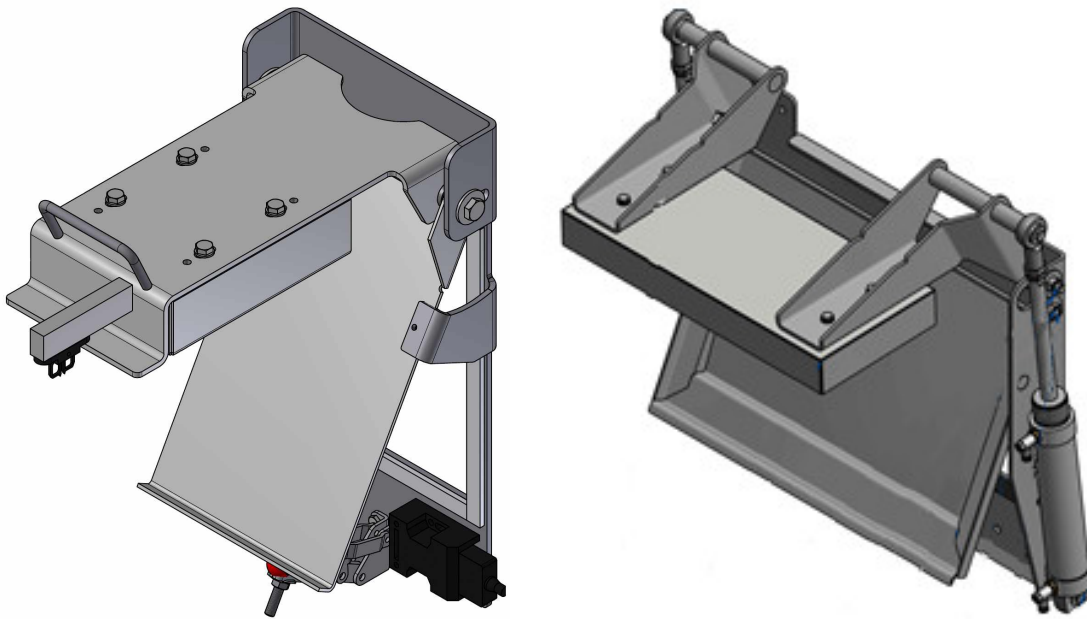


GOUDSMIT

MAGNETICS

User Manual

Chute magnets, series SCHx



The descriptions in this manual may differ from your version

GOUDSMIT Magnetic Systems B.V.

P.O. Box 18
Petunialaan 19
The Netherlands
Tel.
Internet
E-mail

5580 AA Waalre
5582 HA Waalre

(+31) (0)40 221.32.83
www.goudsmitmagnets.com
info@goudsmitmagnets.com



List of contents

List of contents	2
Safety.....	3
Identification plate	4
Instructions	5
Installation, start-up and servicing.....	7

The information we supply may only be used for service or operation of the product.
It may not be disclosed to any third parties without our prior written permission.

Our products and the data in our documentation may be subject to later amendment without any obligation to previously supplied equipment.

Please ensure that anyone working with the device has access to all the necessary documentation.

Version 04/2016

Safety



Dangers of strong magnetic fields

Ferromagnetic objects will be attracted, if you are closer than 30 cm to the magnet. Any ferromagnetic tools or components may be attracted and damage the device.



Danger to people fitted with implanted medical devices

People fitted with pacemakers should not enter the magnetic field of the device. Keep at least 0.5 meter away,



Danger to electronic and mechanical devices

Magnetic information carriers or electronic and mechanical devices, etc, may be destroyed if they enter the magnetic field. Keep at least 0.5 meter away,



Warning Pictograms

Ensure that all warning pictograms are legible. Replace if lost or damaged.



General Protection

Wear all the personal safety equipment necessary for safe operation or maintenance. This may include; overalls, safety glasses, ear protection, helmet, safety shoes, etc.



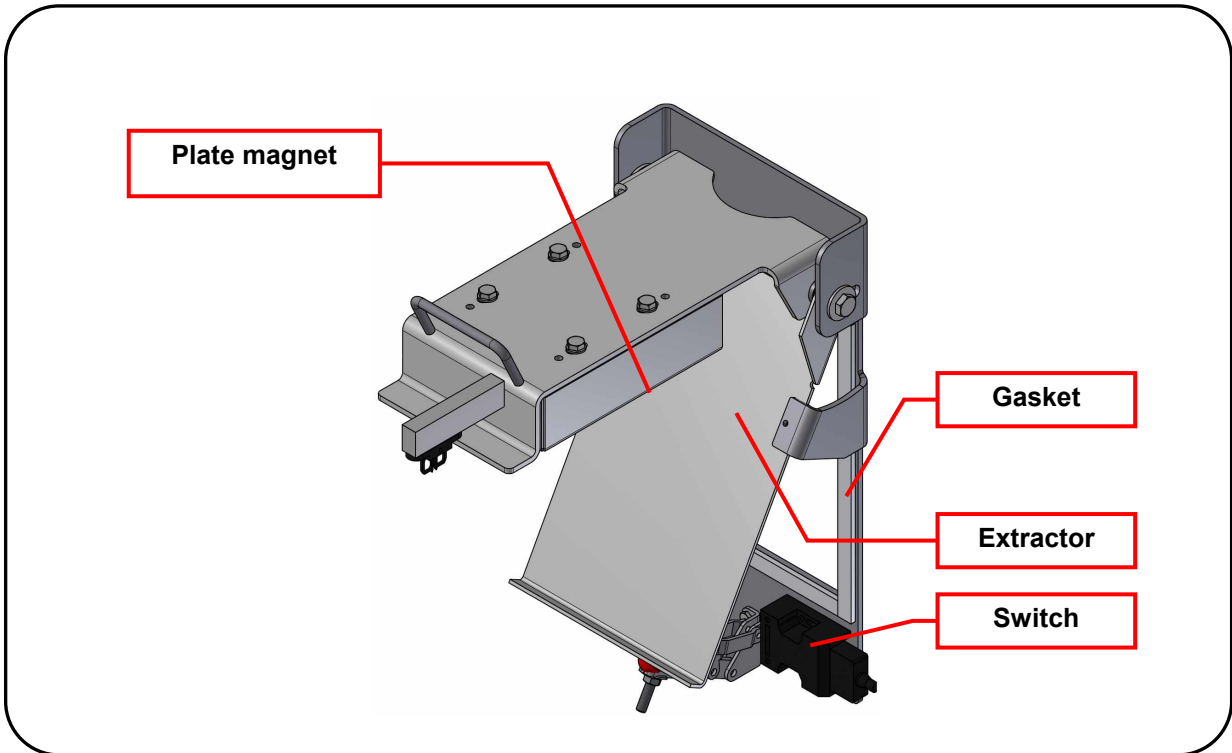
Keep all screens and safeguards in place

Identification plate



If you need to correspond about your device, make a note of the numbers on the identification plate. Most are only marked with the article number or order number.

Instructions



Function

The function of the device is to capture ferromagnetic particles in the product stream. The product flows through the product channel and the magnets capture the ferromagnetic particles. Regularly clean the device and avoid the build-up of debris on the extractor.

Opening and closing the magnet

Open the two levers at the bottom of the plate magnet and pull the extractor open with the two bar handles.



Photo – opening the levers



Photo – pulling the magnet open

On larger versions

When pulling the magnet open, ensure that the arms of the plate magnet fall into their locking position. This works with an eccentric hole and a notch of metal on one of the arms.

When closing the magnet, pull slightly open (this releases the arm from the metal notch)
Then twist both the metal bars slightly upwards to fold the arms. Please note that the bars work independently, to ensure, safe, two handed operation.

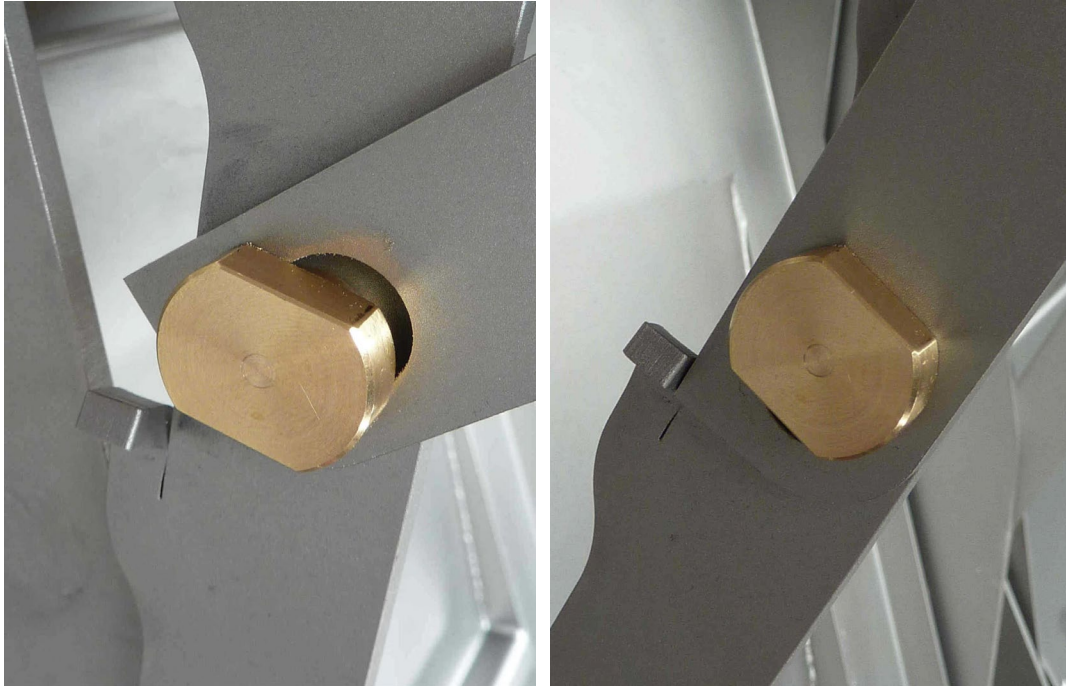


Photo – support arms opening in lock position

Cleaning the chute magnets

1. Stop product flow.
2. Loosen the fasteners that clamp the magnet unit against the housing.
3. Turn the magnet unit as far away from the material channel as possible.
4. Turn the extractor plate as far away from the magnets as possible.
Dispose of the Fe particles that will now fall off the extractor plates.
5. Clean with a brush of soft cloth.
6. Clean the magnet's magnetic side if necessary (with a soft cloth or a suitable cleaning fluid).
7. Turn the magnet unit back against housing!
8. Tighten the fasteners so that the magnetic unit close the product channel without leaving gaps.
9. (Re-)Start the product stream.

Installation, start-up and servicing

Installation

- Only allow qualified personnel to work on the installation and use correct equipment.
- Handle the magnet with great care.
- Remember that any ferromagnetic tools and components are attracted to the magnet and may damage it.
- Install the device correctly, with the opening at the bottom. Place at the proper work height.
- Avoid vibrations from reaching the device, do not exceed the maximum rated temperature.

For larger models

The plate magnet should be mounted crosswise to the product stream, with the fasteners at the bottom.

Ensure that the installation can carry the weight of the device.

Make sure before moving or transporting the plate magnet, that the extractor plate (quick cleaning types) is closed shut against the housing; otherwise the magnet might fall away due to its large weight and cause injuries.

Attaching the magnet plate to the product chute

When cutting out the space for the chute magnet in your product chute, simply measure out the hole in the plate and cut accordingly. Also, drill the holes for the bolts.

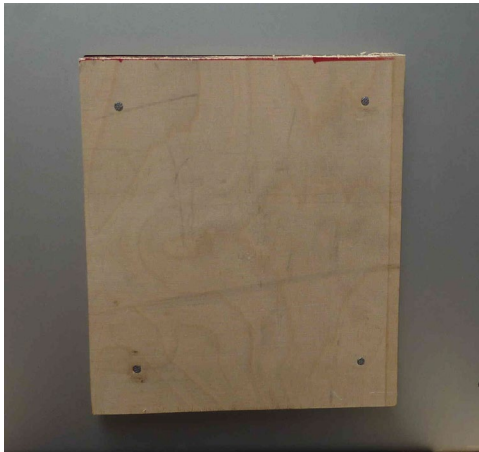


Photo – wooden block underneath



Photo – removing the straps

Once the chute magnet is attached to the product chute, remove the stop or straps that keep the chute magnet shut

Strong magnetic plate magnets are delivered with SAFETY BLOCKS underneath the magnet. Install the magnet with SAFETY BLOCK still underneath the magnet. Only remove the safety block when the magnet is in its working position!

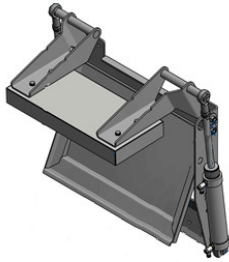
Start-up

Ensure that:

- the device has no damages or malfunctions.
- all connections, whether mechanical or pneumatic, are made properly.

Pneumatic version

On larger versions a pneumatic bar is used to actuate the chute magnet. The pressure used is 6-8 bar.



Servicing

Goudsmit Magnetic Systems can offer a yearly inspection with a magnetic inspection report and certificate.

Storage and dismantling

When recycling the device at the end of its technical life, dispose of correctly and according to local regulations.