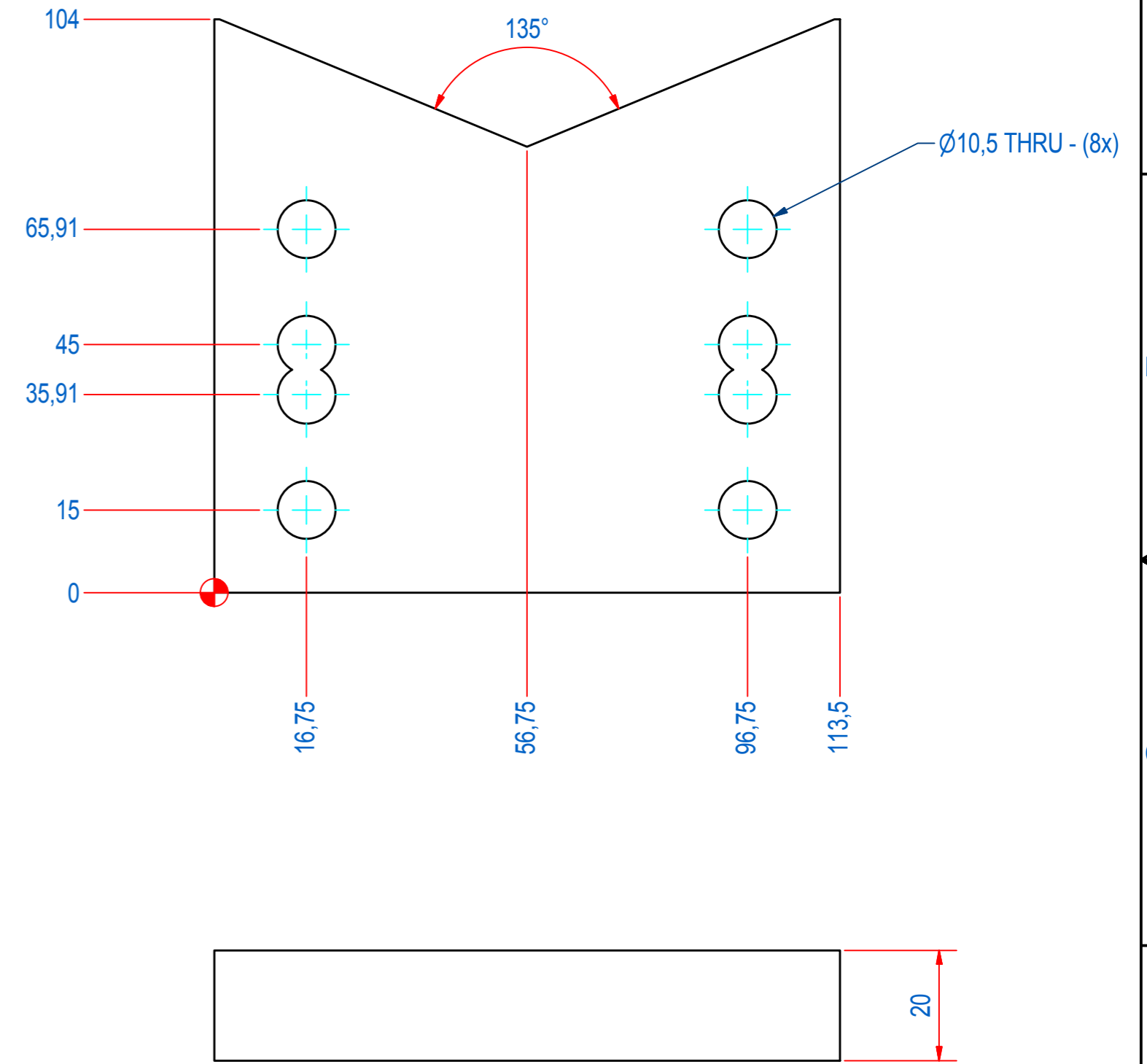
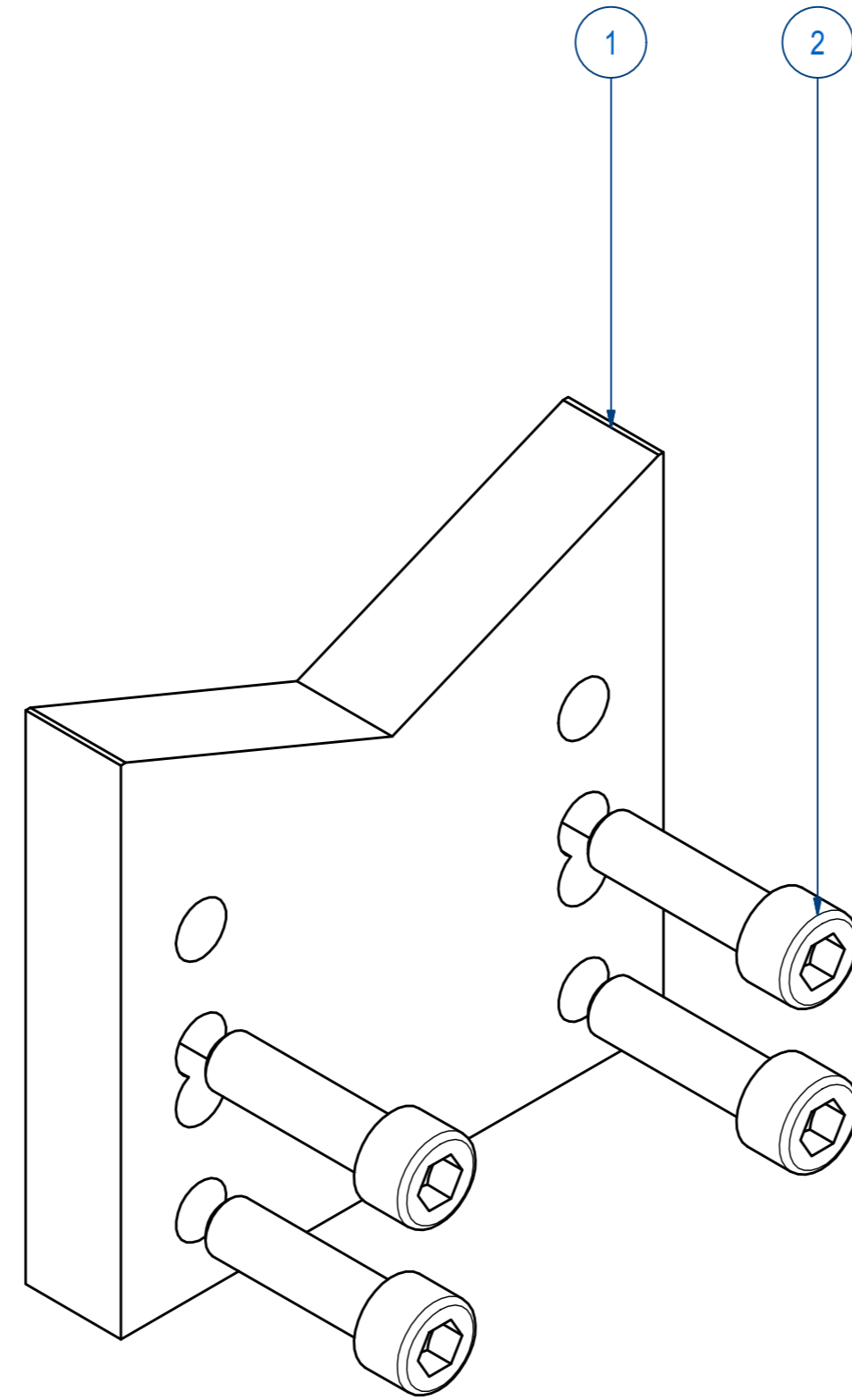
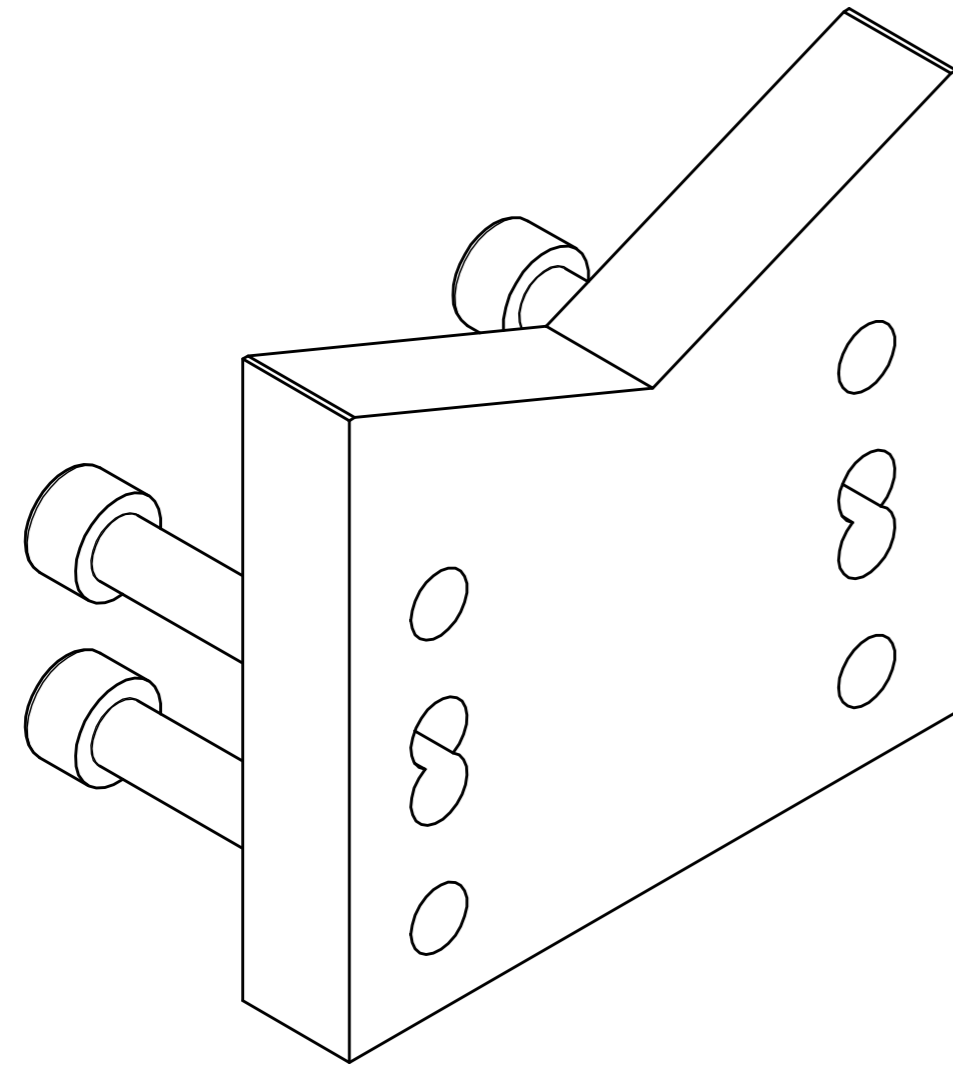


DOC.NR.	REV	DATE	BY	DESCRIPTION
E0087575	-	13-12-2017	PB	ORIGINAL DRAWING



ITEM	QTY	PART NUMBER	DESCRIPTION	Dimensions
2	8	51.0110035	SCREW, HEX SH M10 x 35 - St8.8 Zn	M10 x 35
1	2	MS-320239	110mm POLE EXTENSION	
RAW MAT.	1			
Quantity	Material Number	Material Description	Length (mm)	Width (mm)
Sheet: A2	Extra info: 8800073	General tolerance: ISO 2768 - mK		
Drawn: PB	Weight (kg): 3,4	Drawn according: ISO268; ISO1101; ISO2553		
Date: 13-12-2017	GoudsmIT MAGNETIC SYSTEMS		Status: Standard	
Spare part: False	© All rights reserved. Reproduction is not permitted without written permission of GOUDSMIT Magnetic Systems BV		Customer reference number:	
Quick search: AR110	Description: KIT AR110 COMBO FLAT/PIPE POLES		Document number: E0087575	Doc.Rev: -
			Part number: MS-8800073	Rev: -