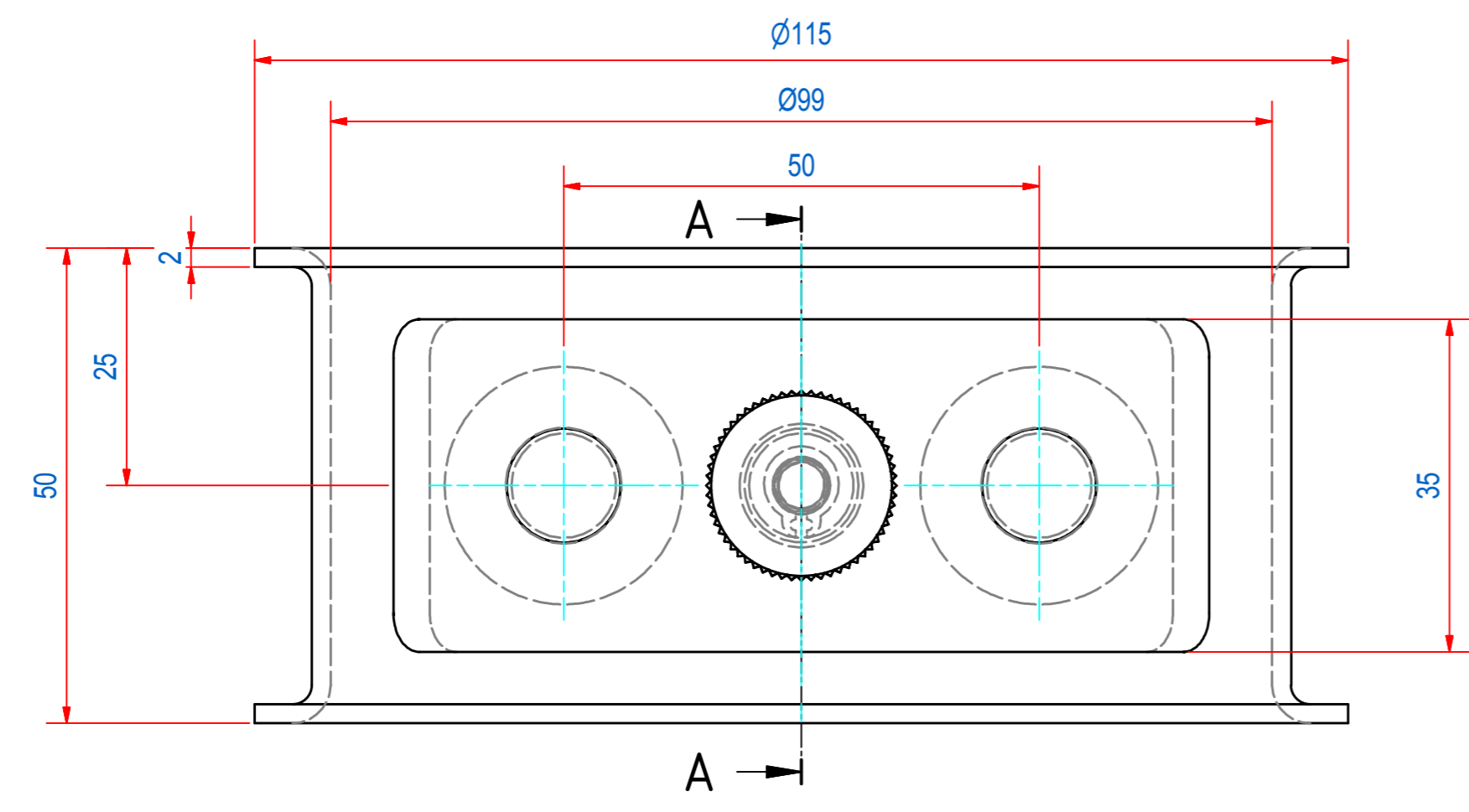
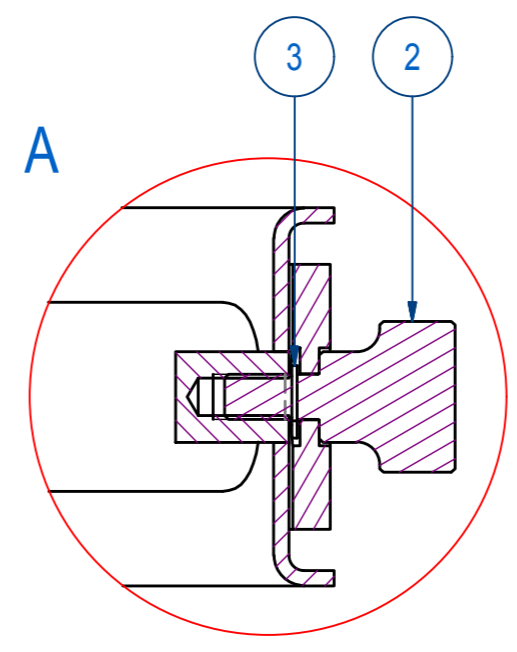
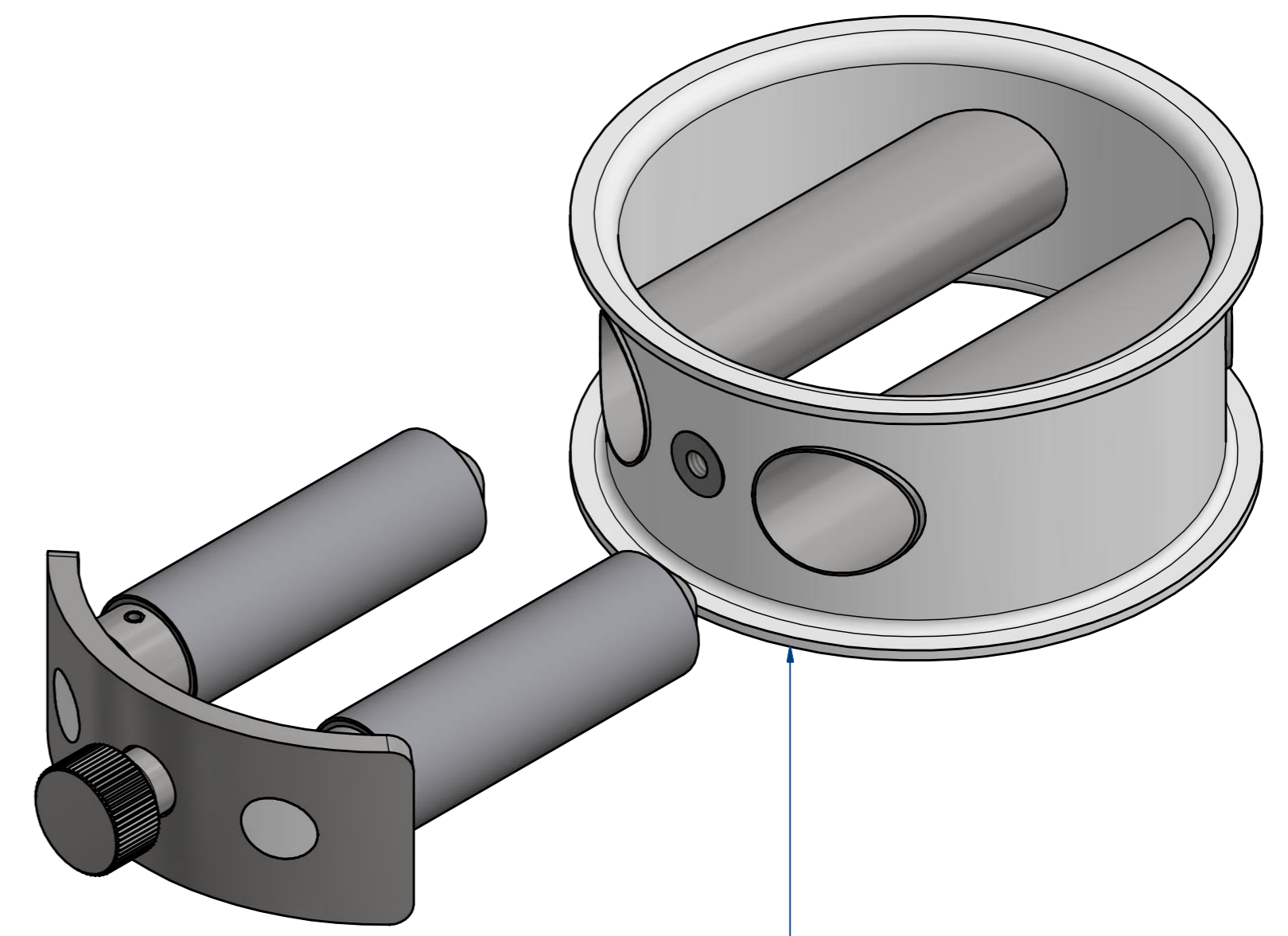
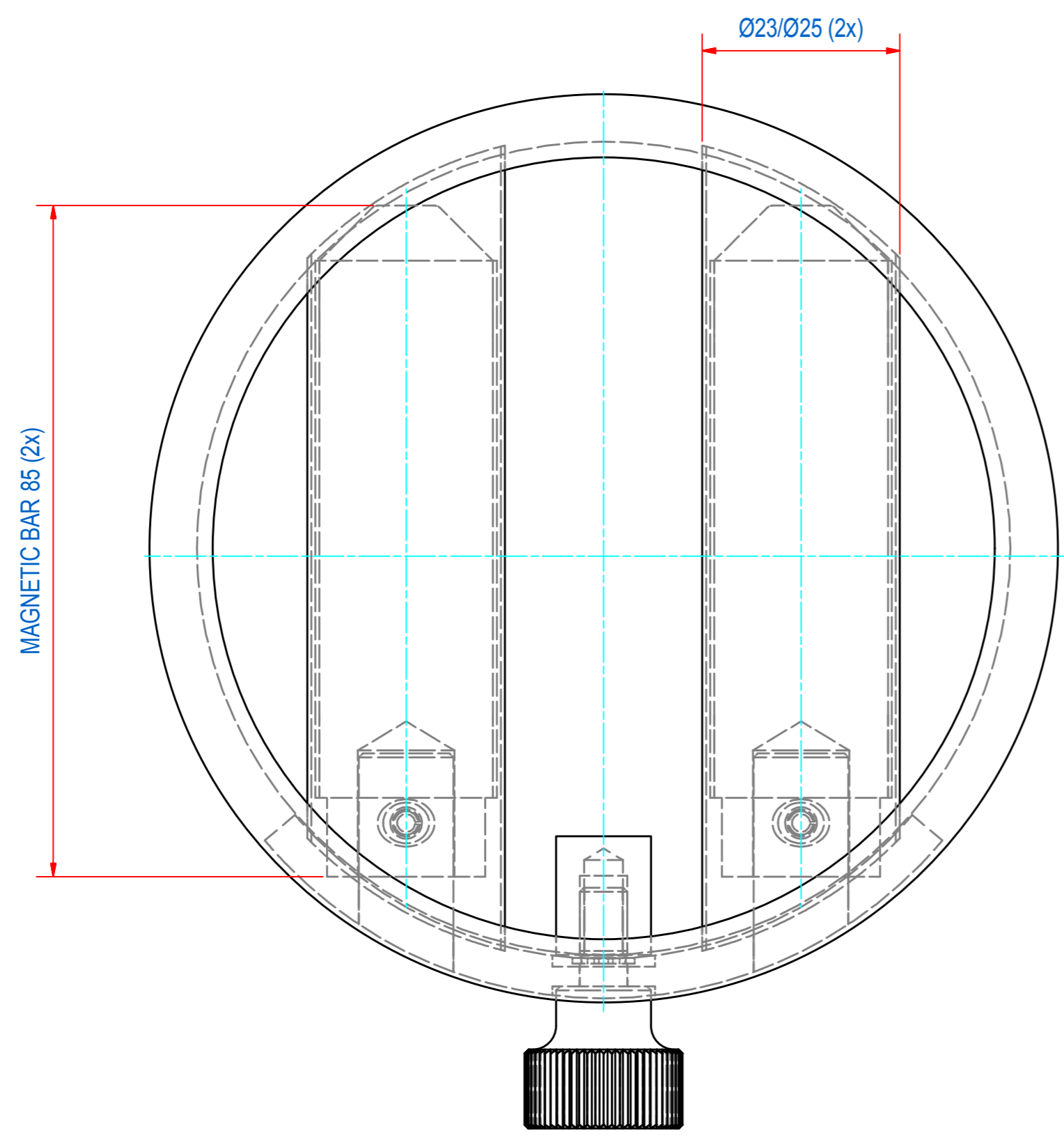


REV	DATE	BY	DESCRIPTION
-	28-2-2014	CR	NEW REVISION VAULT, NOTHING CHANGED, OLD REV WAS B
A	23-5-2016	CR	KNOB ADDED FOR SECURING FRONT PLATE ON GRID



ITEM	QTY	PART NUMBER	DESCRIPTION	Dimensions	
3	1	70.4200006	CIRCLIPS, EXT 6x0,7 - A2	6x0,7	
2	1	E0028964	KNOB M6 316L KNURLED		
1	1	A110021	GRID ASSY D100x50 NdFeB P25		
RAW MAT.	QTY	MAT. NUMBER	MAT. DESCRIPTION	LENGTH (mm)	WIDTH (mm)
	1			0	0

Sheet: A2	Extra info:	General tolerance: ISO 2768- mK
Drawn: CR	Weight (kg): 1	Drawn according: ISO268; ISO1101; ISO2553
Date: 4-7-2014		Status: Standard
Spare part: False		Customer reference number:
Quick search: MRNB0100	© All rights reserved. Reproduction is not permitted without written permission of GOUDSMIT Magnetic Systems BV	File number: E0081384
Description: SMR-N-D100x50-02E-S4-S		Part number: SEMR010078