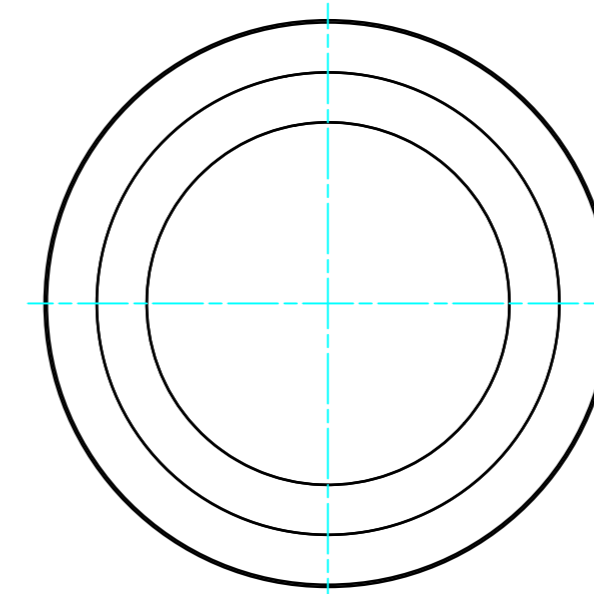
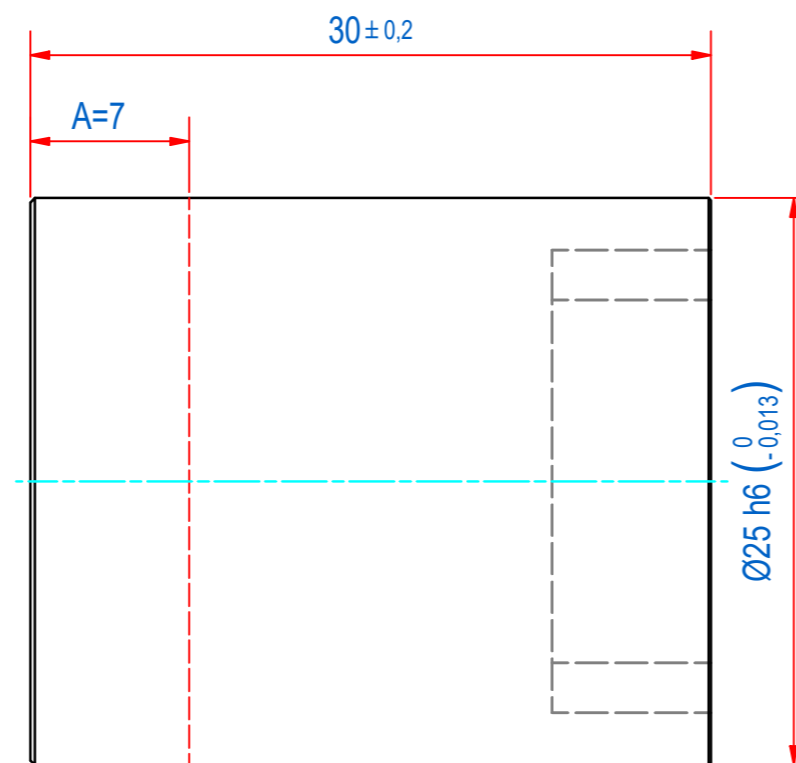
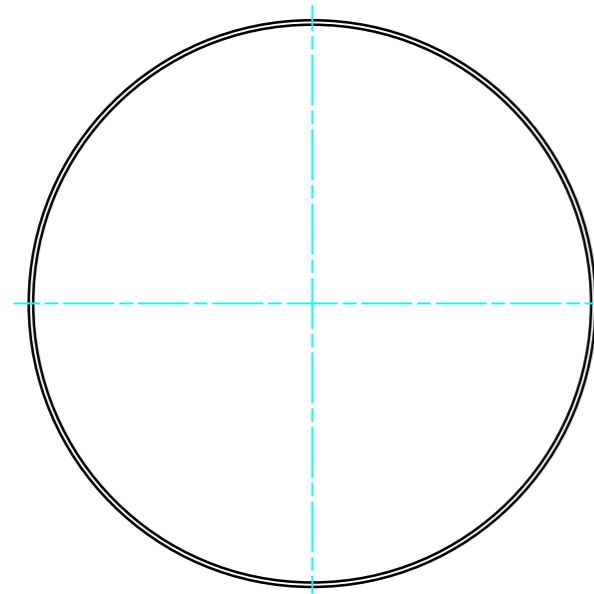
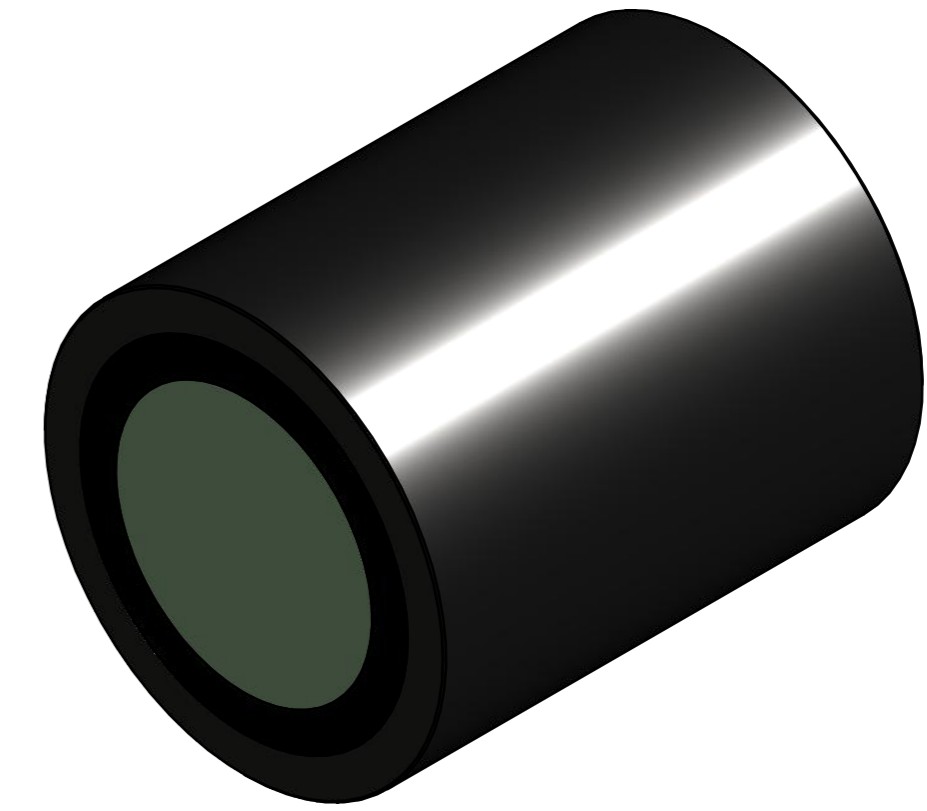


DOC.NR.	REV	DATE	BY	DESCRIPTION
GM16007	-	24-9-2019	PV	ORIGINAL DRAWING



A = LENGTH BY WHICH THE BAR MAGNET CAN BE SHORTENED OR MACHINED WITHOUT BEING DAMAGED

RAW MAT.	1	Quantity	Material Number	Material Description	Length (mm)	Width (mm)	
Sheet:	A2	Extra info:	POTMAGNET AINICO			General tolerance:	ISO 2768- mK
Drawn:	PV	Weight (kg):	0,11			Drawn according:	ISO268; ISO1101; ISO2553
Date:	5-8-2019	Status:	Released			Customer reference number:	
Spare part:	False	Source:				Document number:	GM16007
Quick search:	POTGM	<small>© All rights reserved. Reproduction is not permitted without written permission of GOUDSMIT Magnetic Systems BV</small>			Doc.Rev:		
Description:	PM-TB-A-SS-D25x30			Part number:	GM16007		
					Rev:		