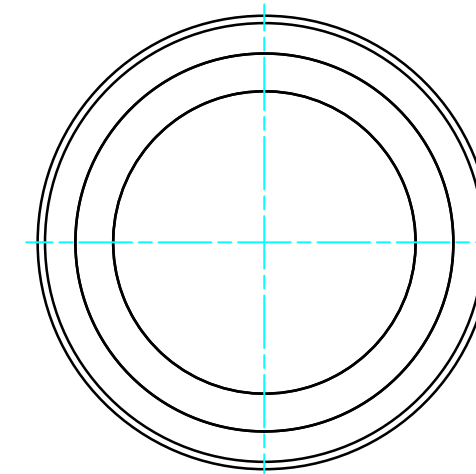
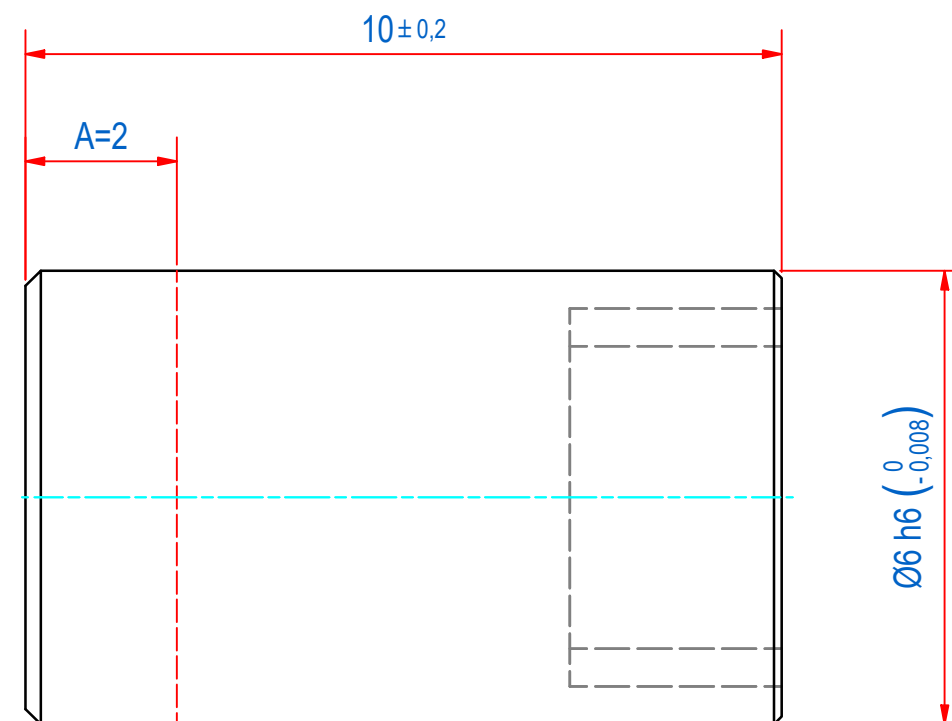
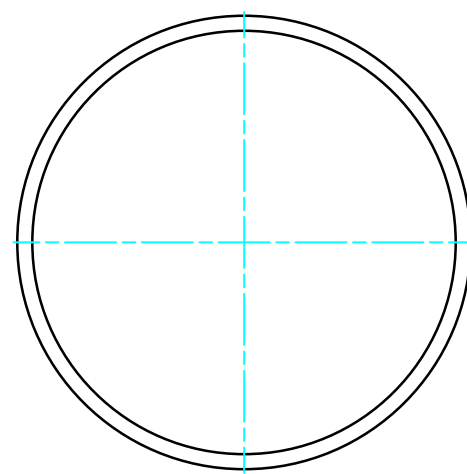
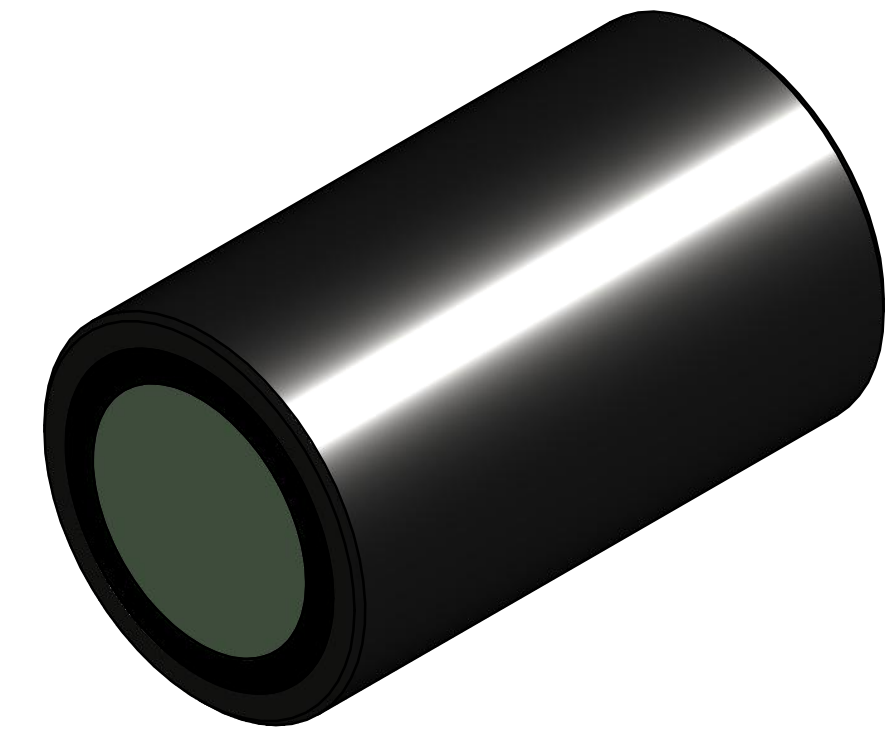


DOC.NR.	REV	DATE	BY	DESCRIPTION
GM16001	-	24-9-2019	PV	ORIGINAL DRAWING



A = LENGTH BY WHICH THE BAR MAGNET CAN BE SHORTENED OR MACHINED WITHOUT BEING DAMAGED

RAW MAT.	1	Quantity	Material Number	Material Description	Length (mm)	Width (mm)	
Sheet:	A2	Extra info:	POTMAGNET AINICO			General tolerance:	ISO 2768- mK
Drawn:	PV	Weight (kg):	0,002			Drawn according:	ISO268; ISO1101; ISO2553
Date:	2-8-2019	Date:	2-8-2019			Status:	Released
Spare part:	False	Source:	POTGM			Customer reference number:	
Quick search:	POTGM				Document number:	GM16001	
Description:	PM-TB-A-SS-D6x10				Part number:	GM16001	
<small>© All rights reserved. Reproduction is not permitted without written permission of GOUDSMIT Magnetic Systems BV</small>					Doc.Rev:	-	
					Rev:	-	