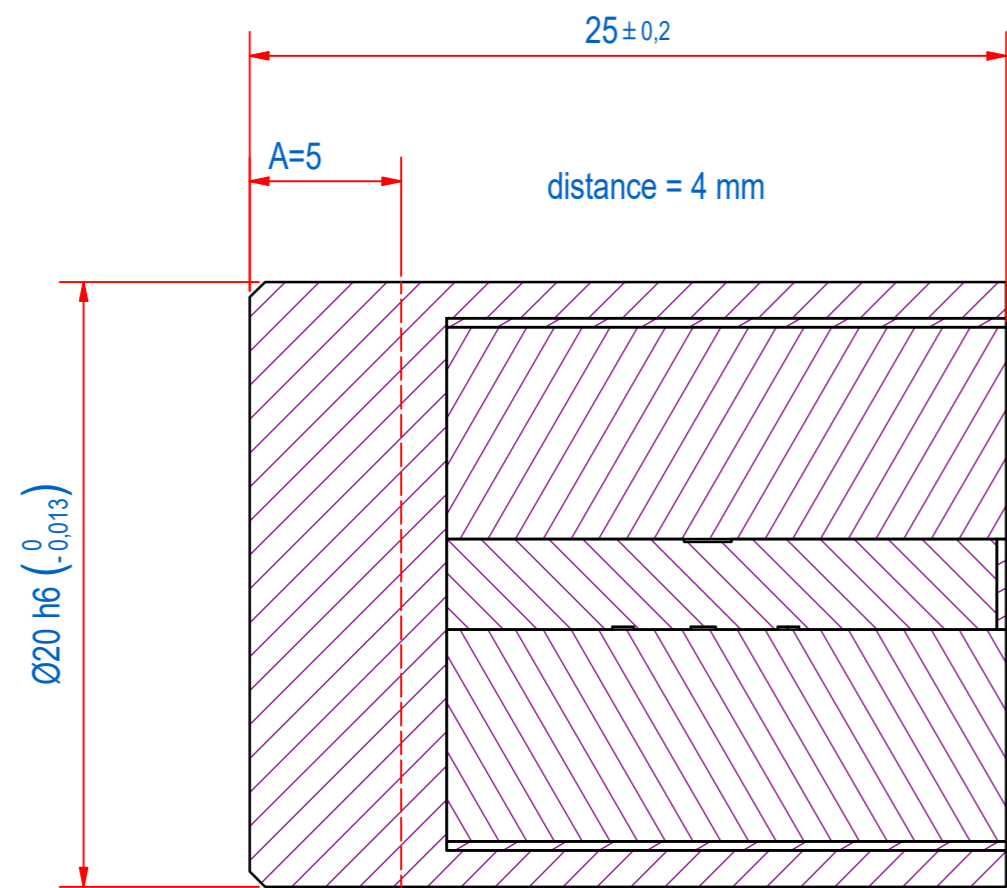
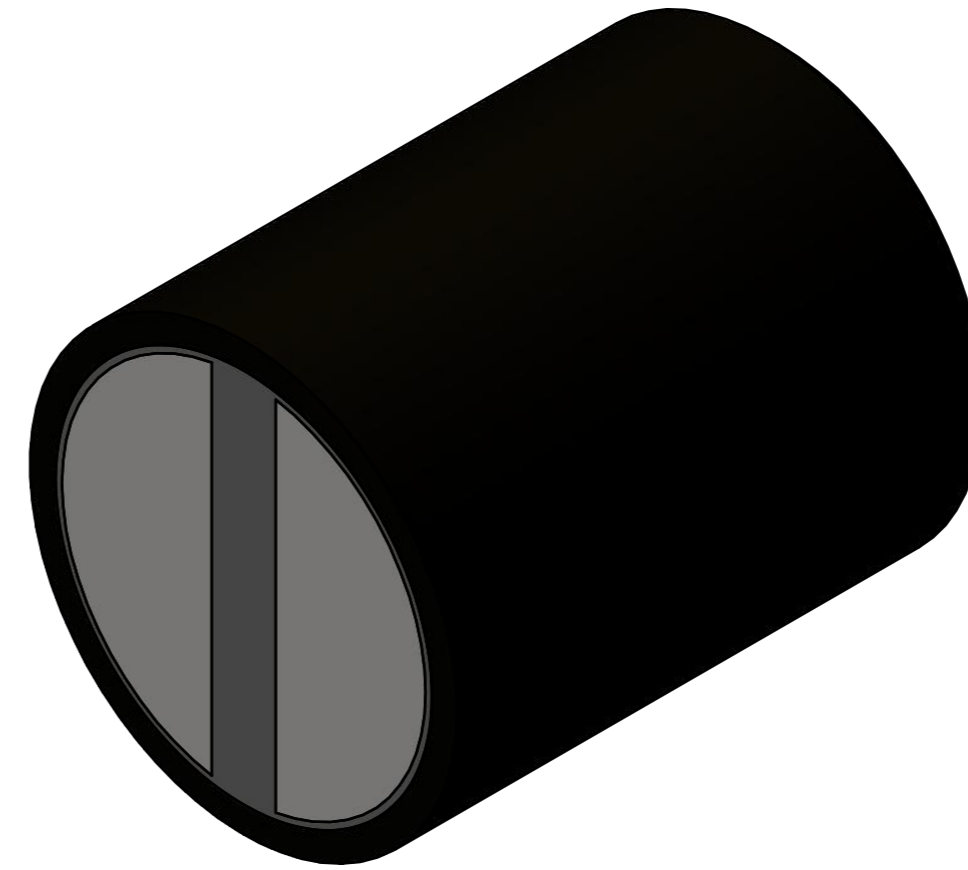
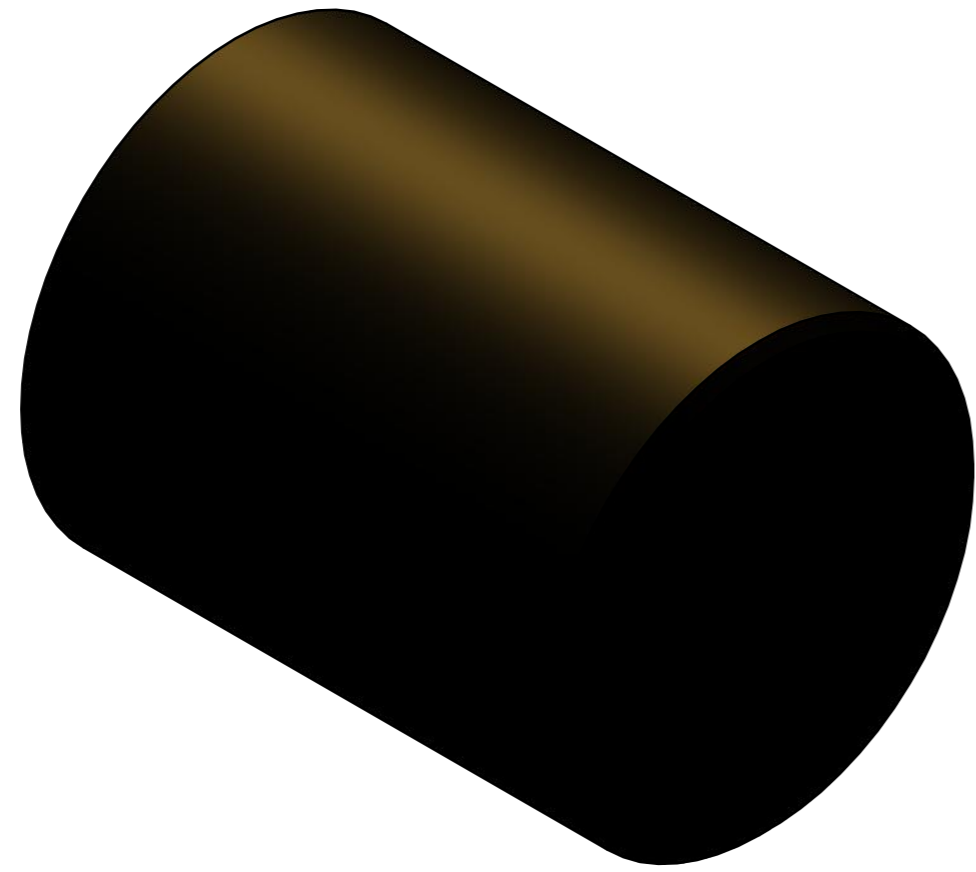
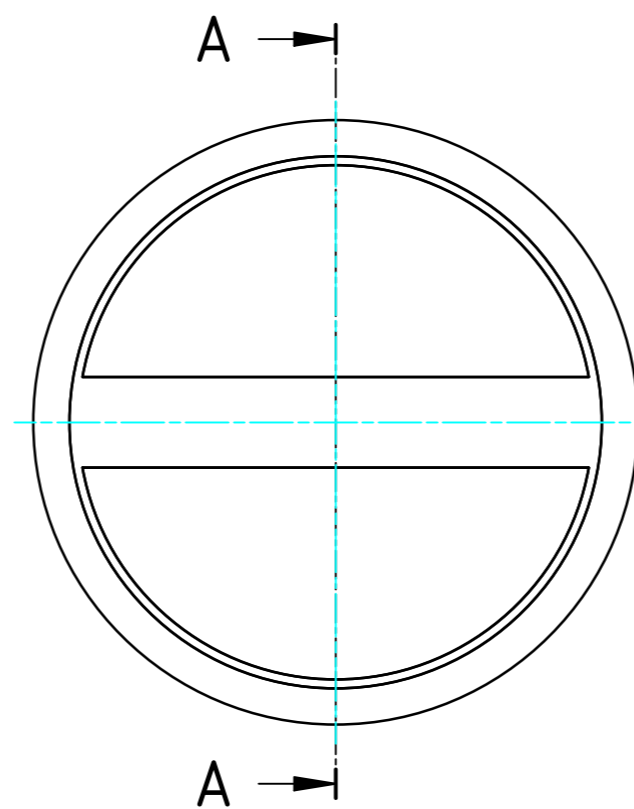


DOC.NR.	REV	DATE	BY	DESCRIPTION
GM17006	-	27-9-2019	PV	ORIGINAL DRAWING



A-A



DIRECT MOUNTING OF THE BAR MAGNET IN IRON REDUCED THE HOLDING POWER BY UP TO 15% DUE TO MAGNETIC SHORT CIRCUITING. TO AVOID THIS CERTAIN DISTANCES NEED TO BE MAINTAINED BETWEEN THE BRASS CASING OF THE BAR MAGNET AND THE IRON. THE DISTANCE ARE ALSO TO BE ADHERED TO IF THE BAR MAGNET WAS SHORTENED BY DIMENSION A. PLEASE REFER TO THE DISTANCE GIVEN IN THE DRAWING (distance .... mm).

RAW MAT.	1	Quantity	Material Number	Material Description	Length (mm)	Width (mm)
Sheet:	A2	Extra info:	POTMAGNET SAMARIUM-COBALT		General tolerance:	ISO 2768- mK
Drawn:	PV	Weight (kg):	0,061	Drawn according:	ISO268; ISO1101; ISO2553	
Date:	6-9-2019	Status:	Released		Customer reference number:	
Spare part:	False	Source:			Document number:	GM17006
Quick search:	POTGM	<small>© All rights reserved. Reproduction is not permitted without written permission of GOUDSMIT Magnetic Systems BV</small>		Doc.Rev:		
Description:	PM-BA-S-BR-D20h6x25			Part number:	GM17006	
				Rev:		