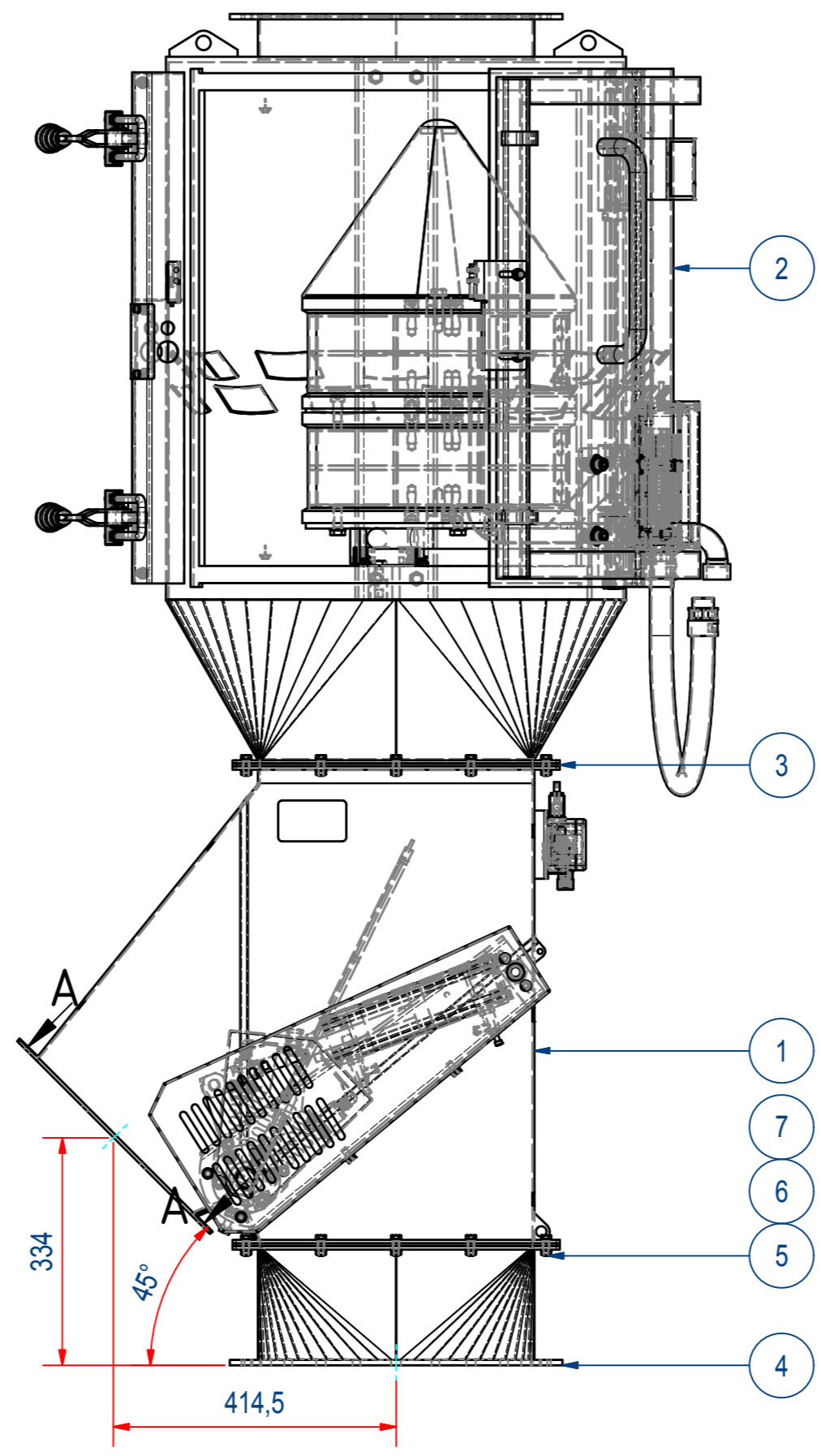
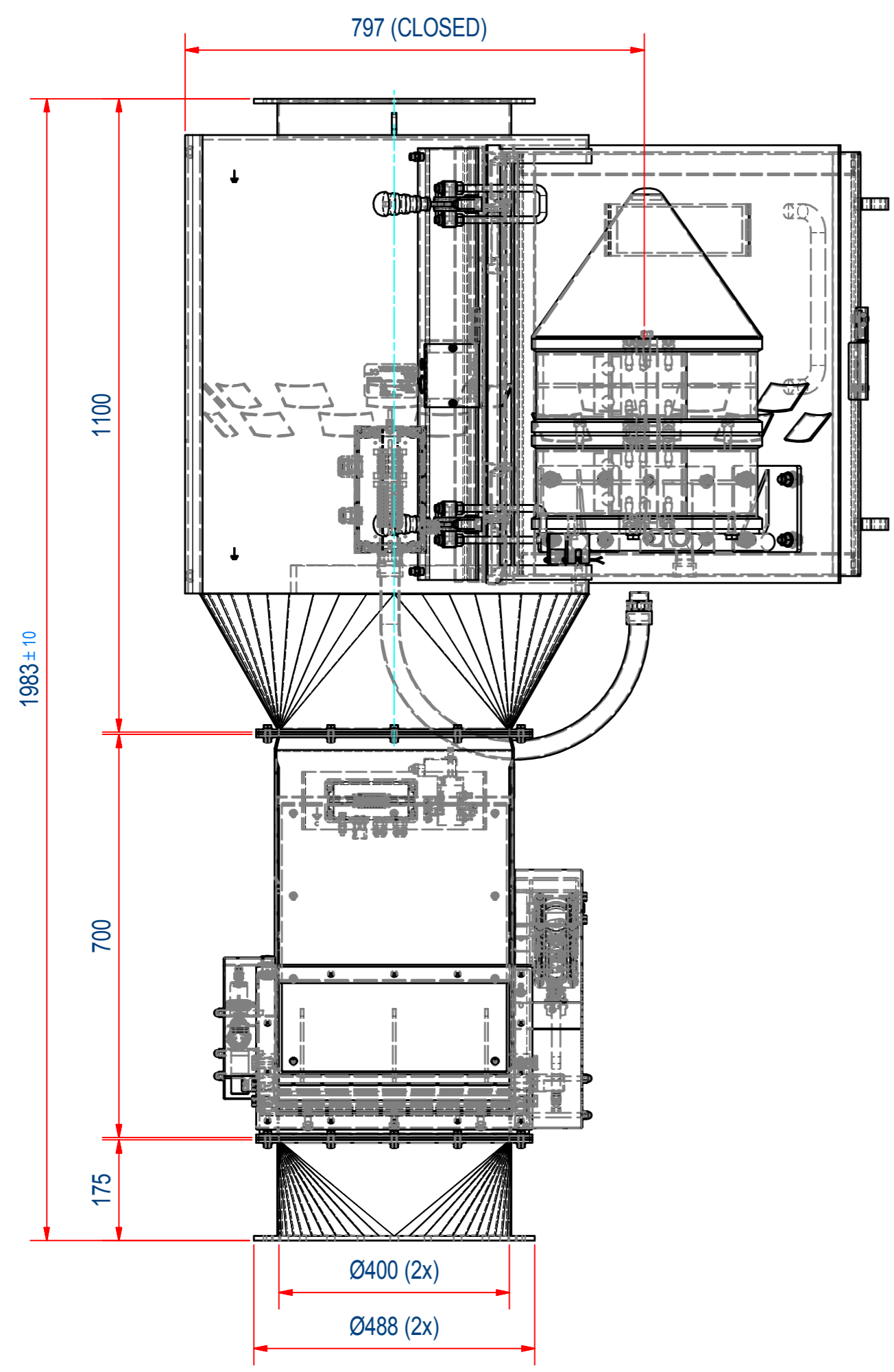
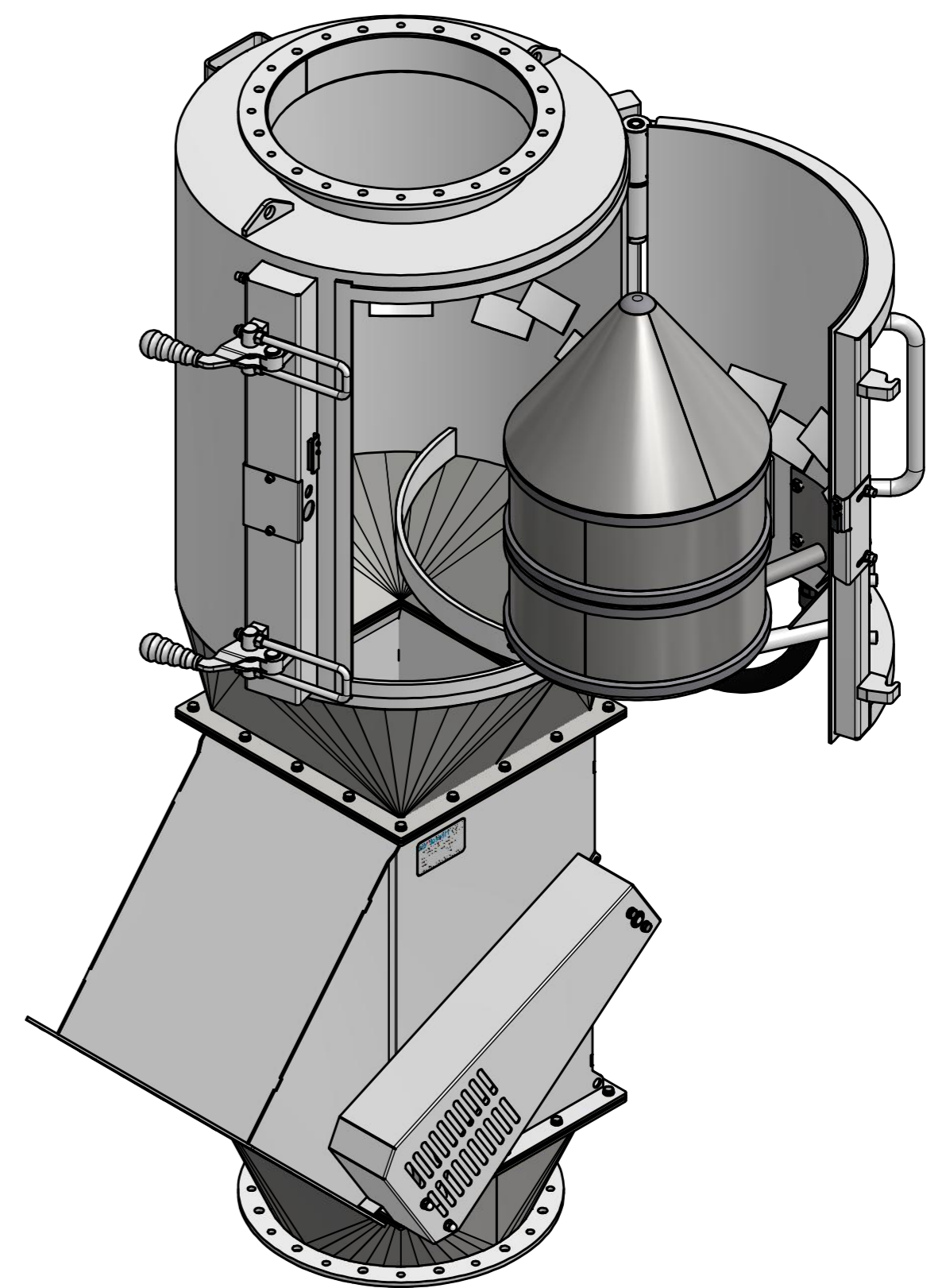
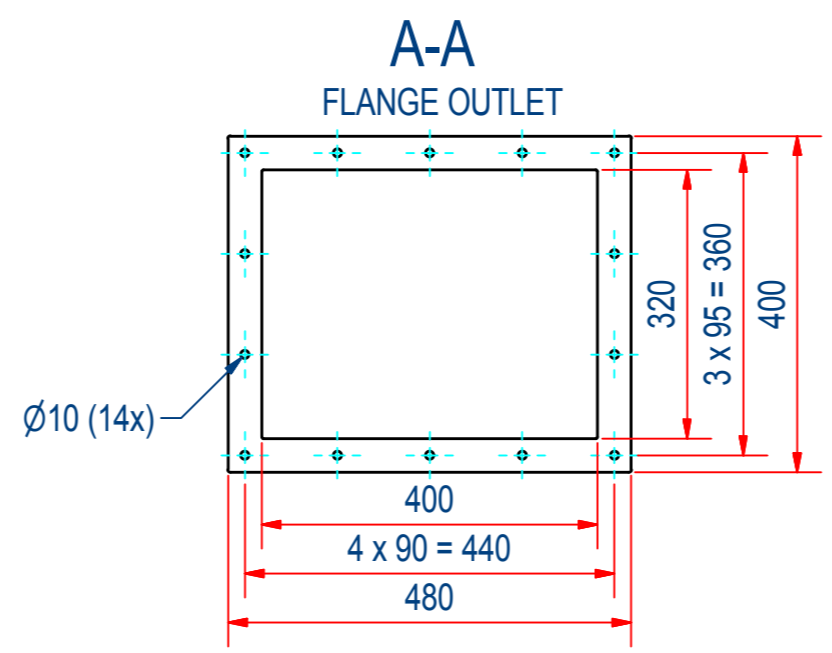
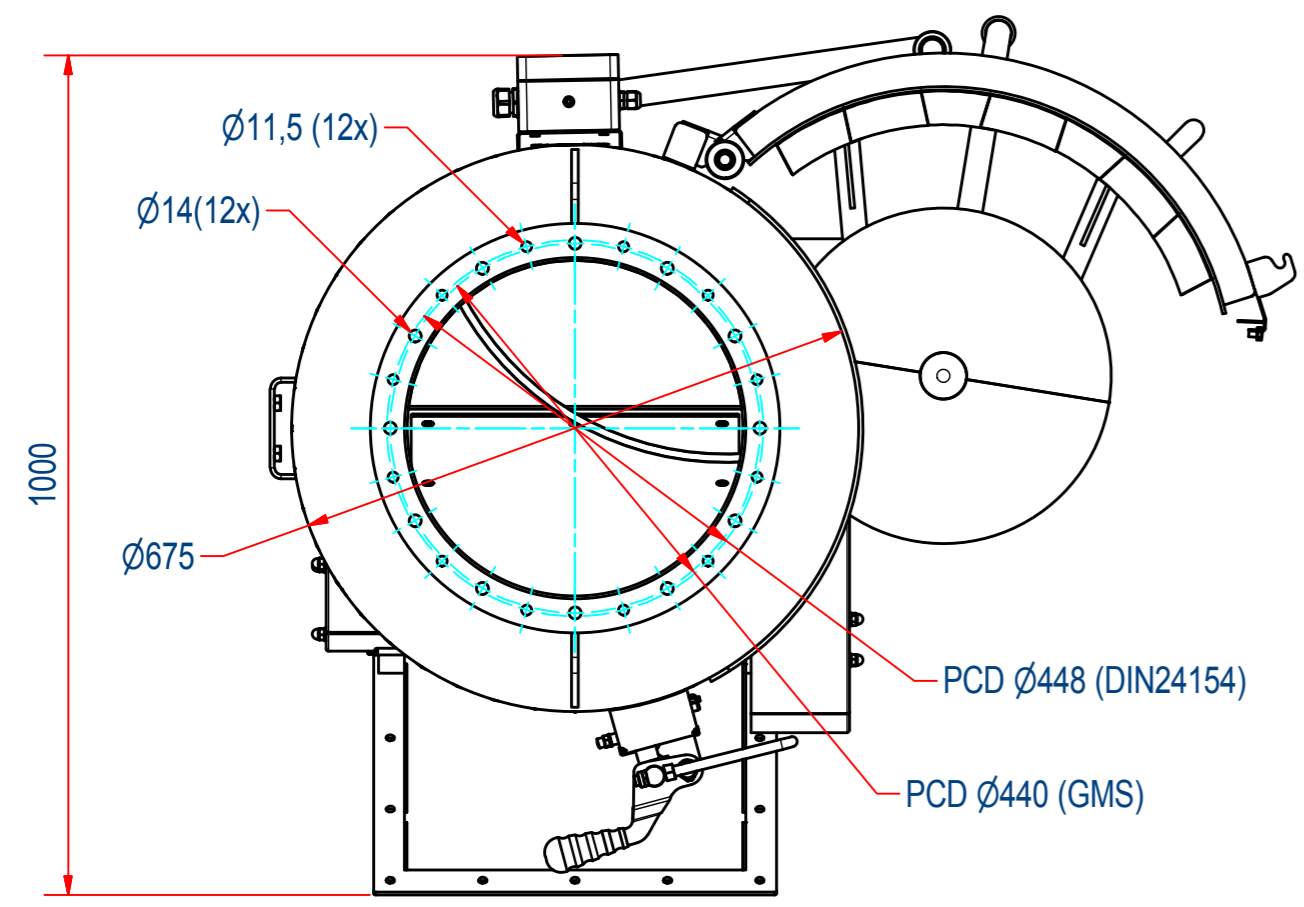


| | | | |
|-----|----------|-----|---------------------------|
| REV | DATE | BY | DESCRIPTION |
| - | 7-1-2014 | AvD | ORIGINAL INVENTOR DRAWING |



ATEX VERSION REFERS TO KEMA SCHEDULED DRAWING NR'S: M79009, M79010, M79011, M79012, M79014 AND M60398

| ITEM | QTY | PART NUMBER | DESCRIPTION | Dimensions |
|------|-----|-------------|----------------------------------|------------|
| 7 | 64 | 70.0200008 | WASHER M 8- A2 | M 8 |
| 6 | 32 | 60.0200008 | NUT, HEX M8 - A2 | M8 |
| 5 | 32 | 50.1208025 | BOLT, HEX M8x25 - A2 | M8x25 |
| 4 | 1 | SERE404025 | RED #400-D400 H175 DIN24154 304L | |
| 3 | 2 | SGAF404031 | GASKET 480x400 MVQ SILICONE | |
| 2 | 1 | SPAE000065 | SPA-5-B-FI-OS-ST-Ex-D-B | |
| 1 | 1 | SPKK400006 | SPKK-S-400-700-C-Ex | |

| | | | | | |
|----------------------|---|---|------------------|---|------------|
| RAW MAT. | 1 | | | | |
| QTY | | MAT. NUMBER | MAT. DESCRIPTION | LENGTH (mm) | WIDTH (mm) |
| Sheet: A2 | | Extra info: | | General tolerance: ISO 2768 - mK | |
| Drawn: CR | | Weight (kg): 298,6 | | Drawn according: ISO268; ISO1101; ISO2553 | |
| Date: 19-12-2013 | | Goudsmit Magnetic Systems | | Status: Standard | |
| Spare part: False | | © All rights reserved. Reproduction is not permitted without written permission of GOUDSMIT Magnetic Systems BV | | Customer reference number: | |
| Quick search: EM5 EX | | Description: SPA-5-V-FI-FO-ST-Ex-D-B | | File number: SPAA001065 | |
| | | | | Part number: SPAA001065 | |