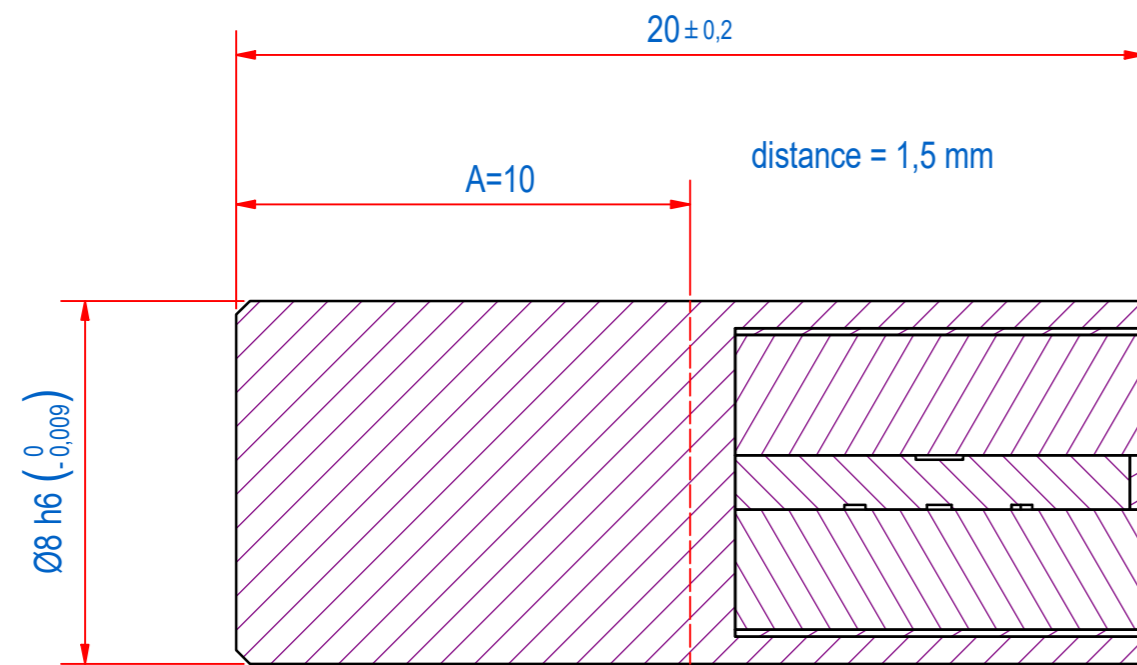
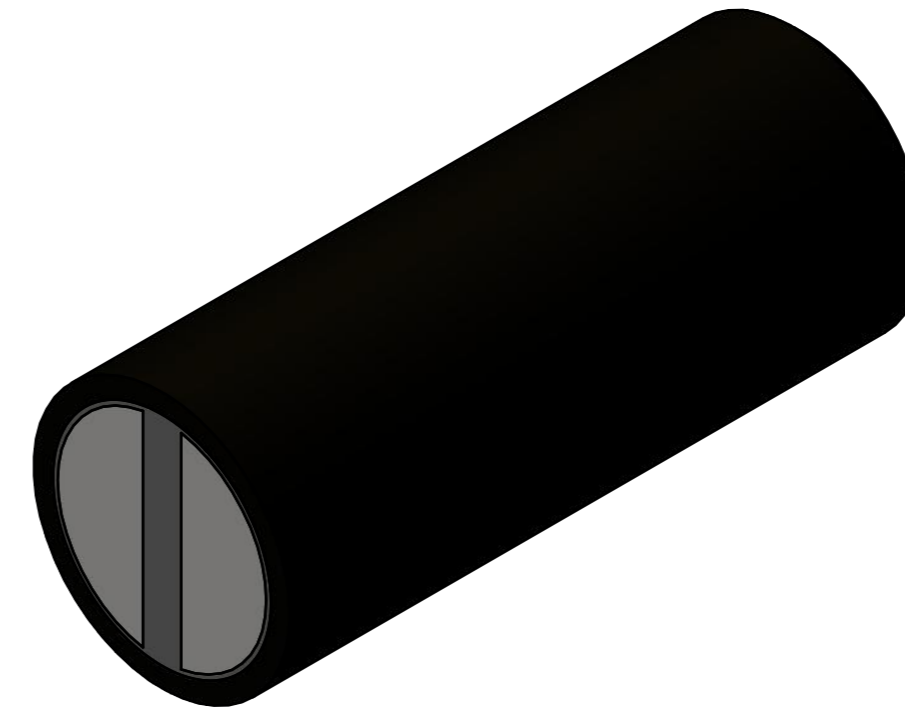
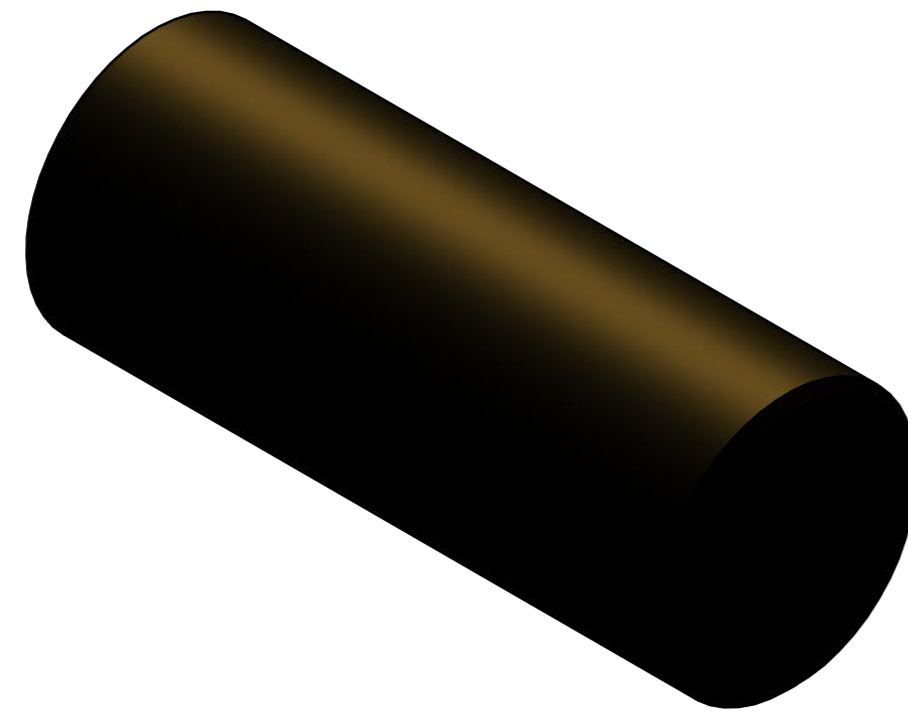
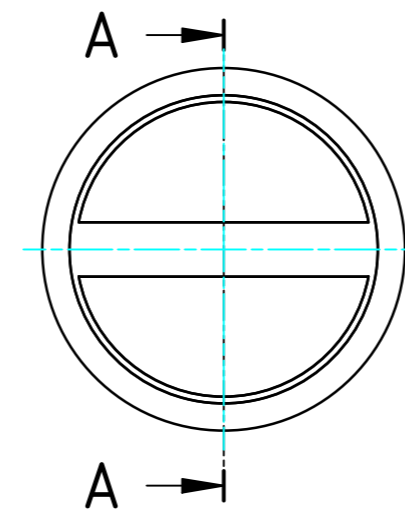


DOC.NR.	REV	DATE	BY	DESCRIPTION
GM17002	-	27-9-2019	PV	ORIGINAL DRAWING



A-A



DIRECT MOUNTING OF THE BAR MAGNET IN IRON REDUCED THE HOLDING POWER BY UP TO 15% DUE TO MAGNETIC SHORT CIRCUITING. TO AVOID THIS CERTAIN DISTANCES NEED TO BE MAINTAINED BETWEEN THE BRASS CASING OF THE BAR MAGNET AND THE IRON. THE DISTANCE ARE ALSO TO BE ADHERED TO IF THE BAR MAGNET WAS SHORTENED BY DIMENSION A. PLEASE REFER TO THE DISTANCE GIVEN IN THE DRAWING (distance mm).

RAW MAT.	1	Quantity	Material Number	Material Description	Length (mm)	Width (mm)
Drawn:	PV	Weight (kg):	0,008	Extra info:	POTMAGNET SAMARIUM-COBALT	
Date:	6-9-2019	General tolerance:	ISO 2768- mK			
Spare part:	False	Drawn according:	ISO268; ISO1101; ISO2553			
Quick search:	POTGM	Status:	Released			
Description:	PM-BA-S-BR-D8h6x20			Document number:	GM17002	Doc.Rev:
				Part number:	GM17002	Rev: