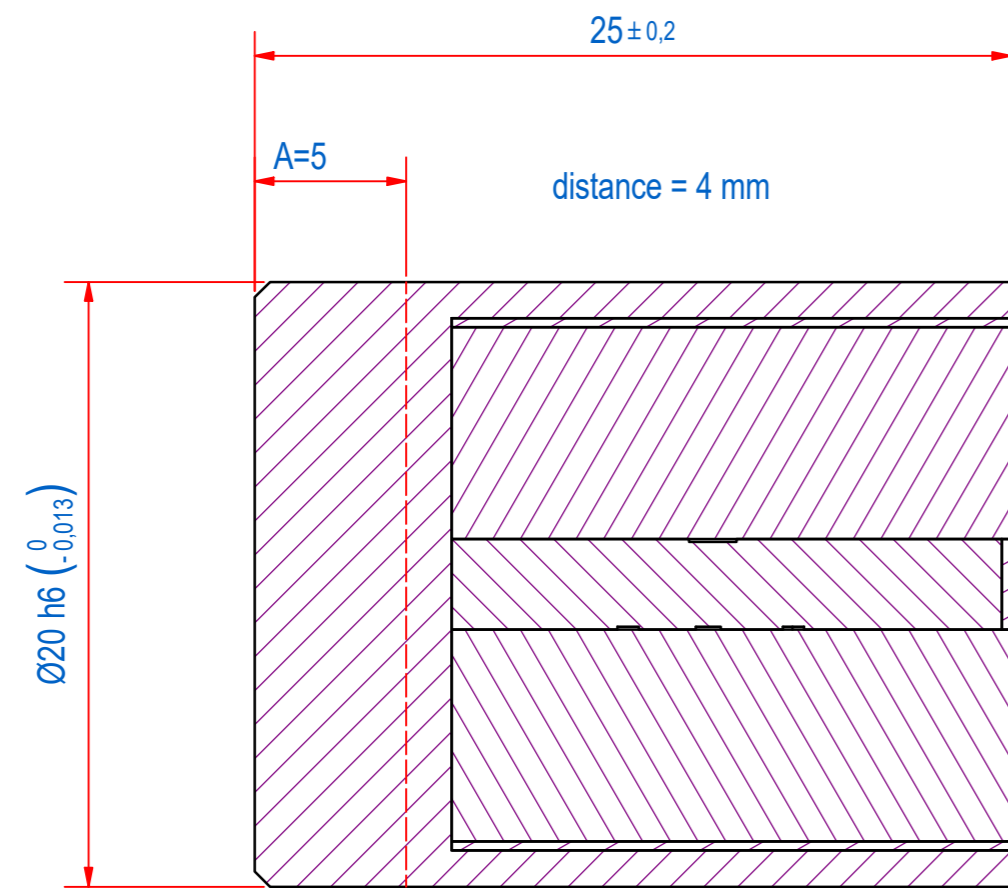
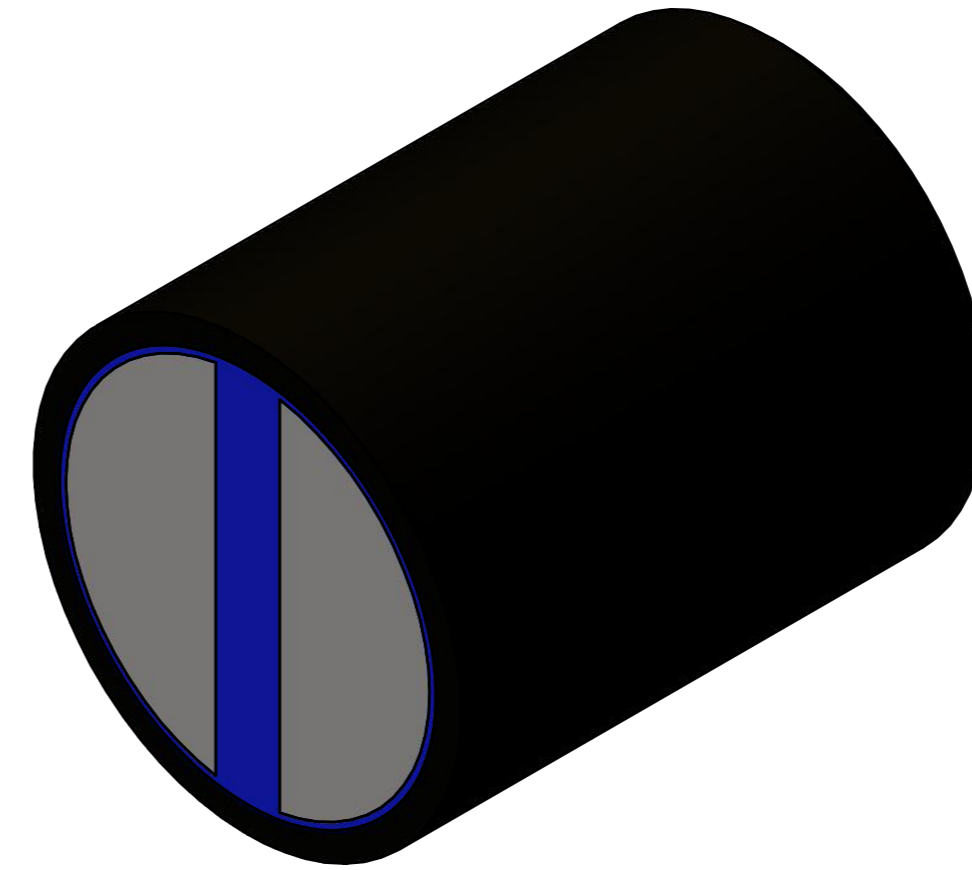
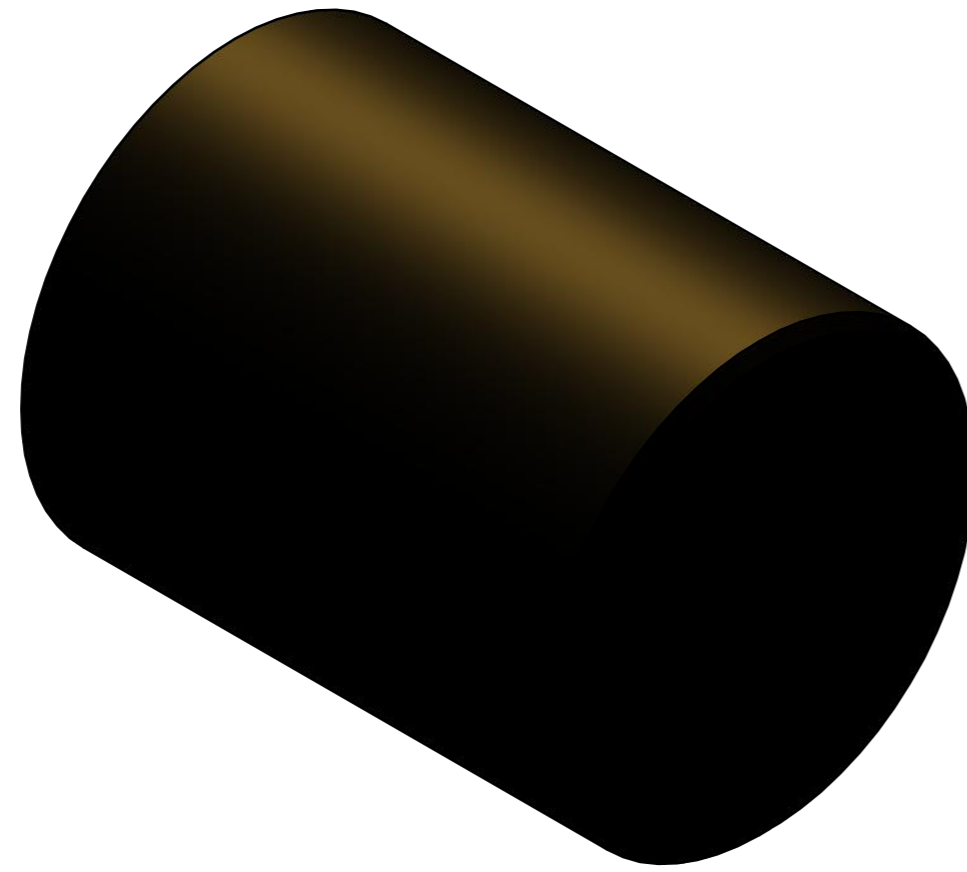
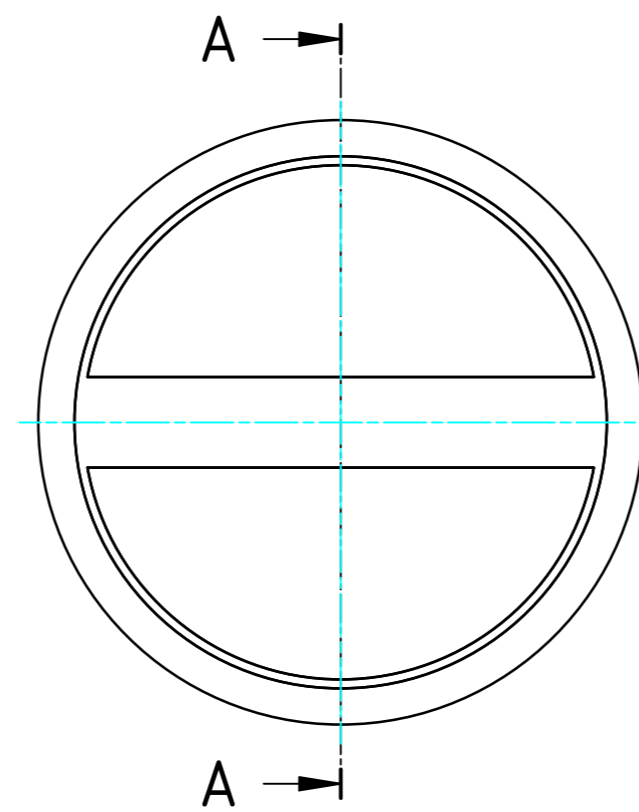


| DOC.NR.  | REV | DATE      | BY | DESCRIPTION      |
|----------|-----|-----------|----|------------------|
| E0121411 | -   | 30-9-2019 | PV | ORIGINAL DRAWING |



A-A



DIRECT MOUNTING OF THE BAR MAGNET IN IRON REDUCED THE HOLDING POWER BY UP TO 15% DUE TO MAGNETIC SHORT CIRCUITING. TO AVOID THIS CERTAIN DISTANCES NEED TO BE MAINTAINED BETWEEN THE BRASS CASING OF THE BAR MAGNET AND THE IRON. THE DISTANCE ARE ALSO TO BE ADHERED TO IF THE BAR MAGNET WAS SHORTENED BY DIMENSION A. PLEASE REFER TO THE DISTANCE GIVEN IN THE DRAWING (distance .... mm).

|              |                     |               |                     |                      |   |            |
|--------------|---------------------|---------------|---------------------|----------------------|---|------------|
| RAW MAT.     | 1                   | Quantity      | Material Number     | Material Description | Length (mm)                               | Width (mm) |
| Sheet:       | A2                  | Extra info:   | POTMAGNET NEODYMIUM |                      | General tolerance: ISO 2768- mK           |            |
| Drawn:       | PV                  | Weight (kg):  | 0,061               |                      | Drawn according: ISO268; ISO1101; ISO2553 |            |
| Date:        | 26-8-2019           | Source:       | GOUDSMIT MAGNETICS  |                      | Status: Released                          |            |
| Spare part:  | False               | Quick search: | POTGM               |                      | Customer reference number:                |            |
| Description: | PM-BA-N-BR-D20h6x25 |               |                     | Document number:     | E0121411                                  | Doc.Rev: - |
|              |                     |               |                     | Part number:         | GM17306                                   | Rev: -     |