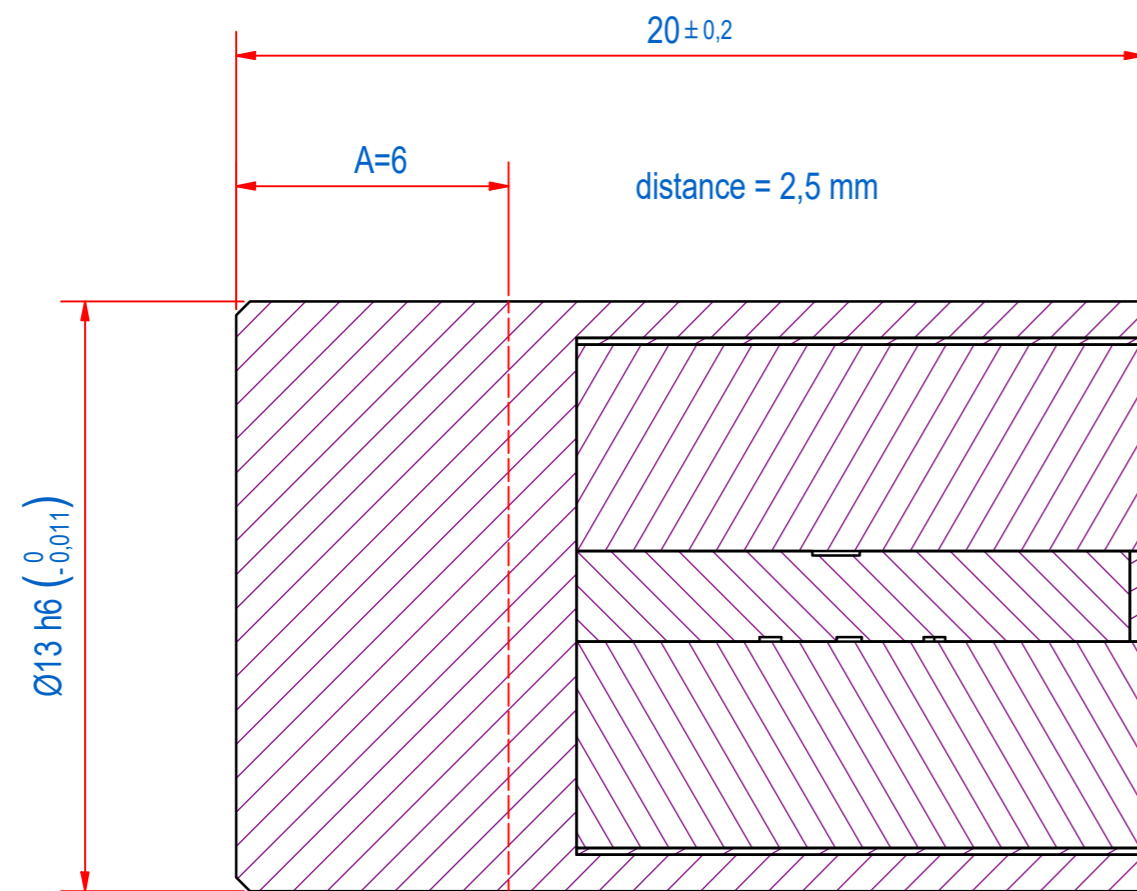
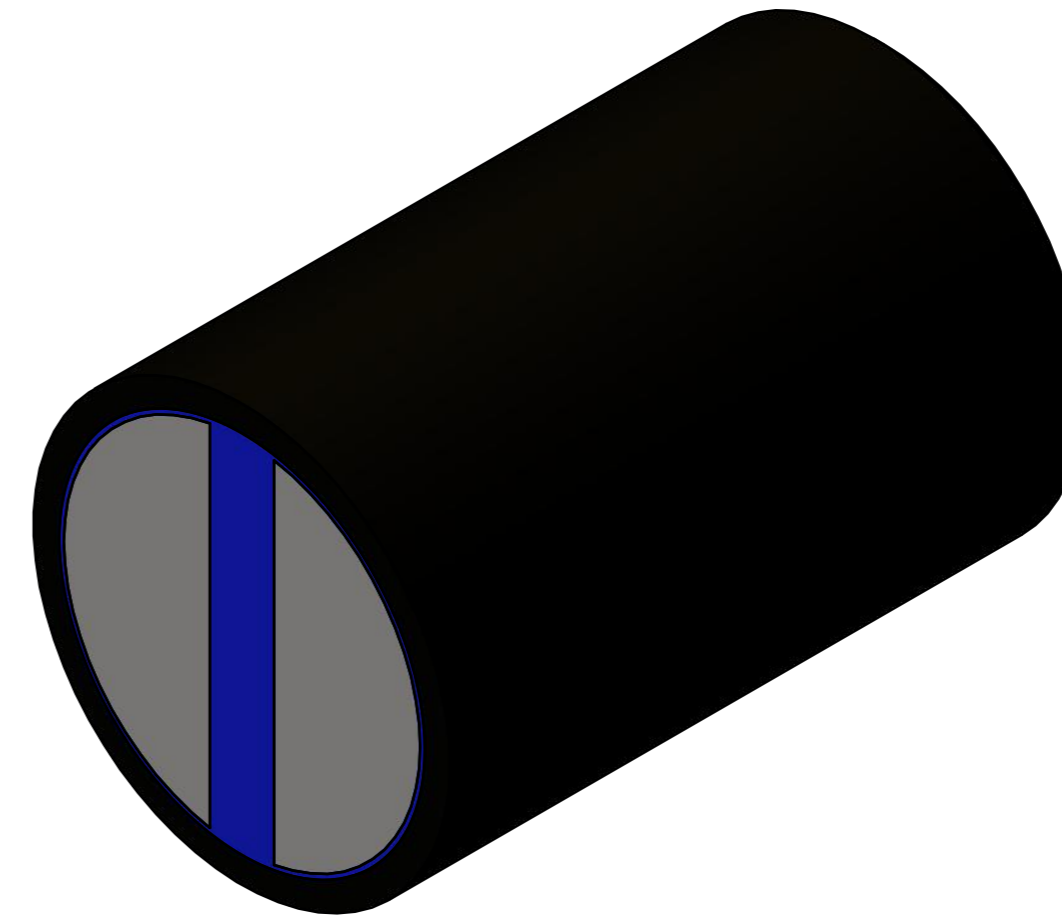
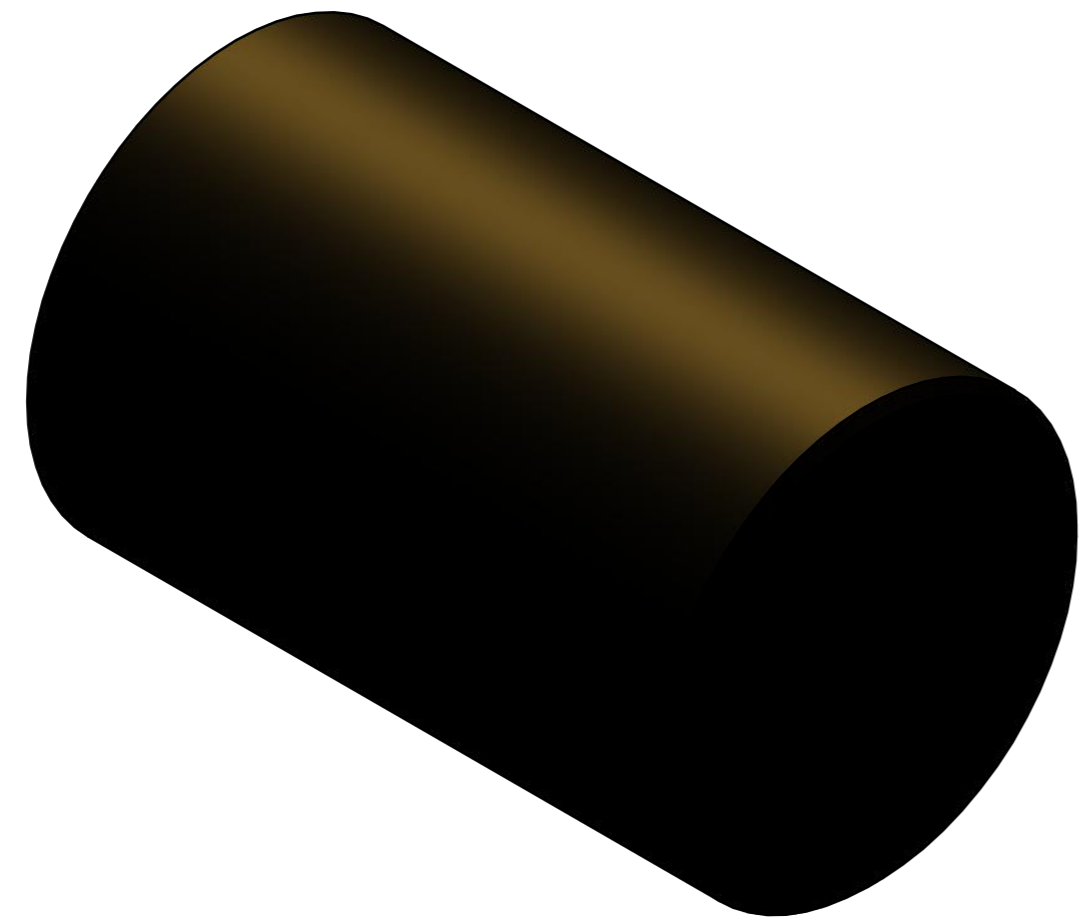
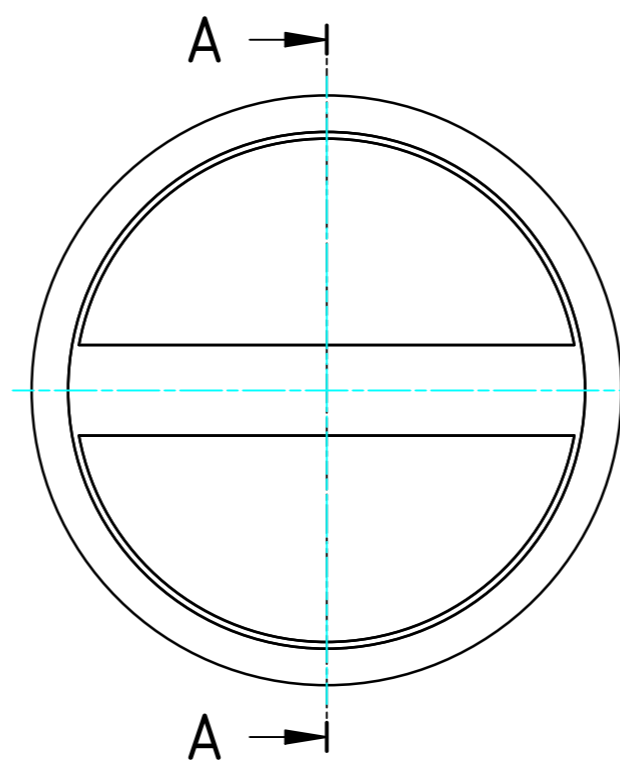


DOC.NR.	REV	DATE	BY	DESCRIPTION
E0121754	-	30-9-2019	PV	ORIGINAL DRAWING



A-A



DIRECT MOUNTING OF THE BAR MAGNET IN IRON REDUCED THE HOLDING POWER BY UP TO 15% DUE TO MAGNETIC SHORT CIRCUITING. TO AVOID THIS CERTAIN DISTANCES NEED TO BE MAINTAINED BETWEEN THE BRASS CASING OF THE BAR MAGNET AND THE IRON. THE DISTANCE ARE ALSO TO BE ADHERED TO IF THE BAR MAGNET WAS SHORTENED BY DIMENSION A. PLEASE REFER TO THE DISTANCE GIVEN IN THE DRAWING (distance mm).

RAW MAT.	Quantity	Material Number	Material Description	Length (mm)	Width (mm)
1					
Sheet: A2		Extra info: POTMATNET NEODYMIUM		General tolerance: ISO 2768- mK	
Drawn: PV		Weight (kg): 0,021		Drawn according: ISO268; ISO1101; ISO2553	
Date: 30-8-2019		GOUDSMIT MAGNETICS		Status: Released	
Spare part: False				Customer reference number:	
Quick search: POTGM		© All rights reserved. Reproduction is not permitted without written permission of GOUDSMIT Magnetic Systems BV		Document number: E0121754 Doc.Rev: -	
Description: PM-BA-N-BR-D13h6x20				Part number: GM17304 Rev: -	