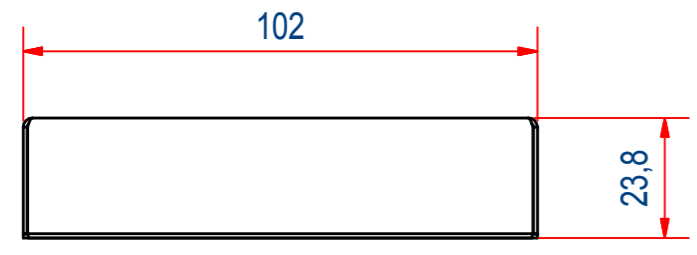
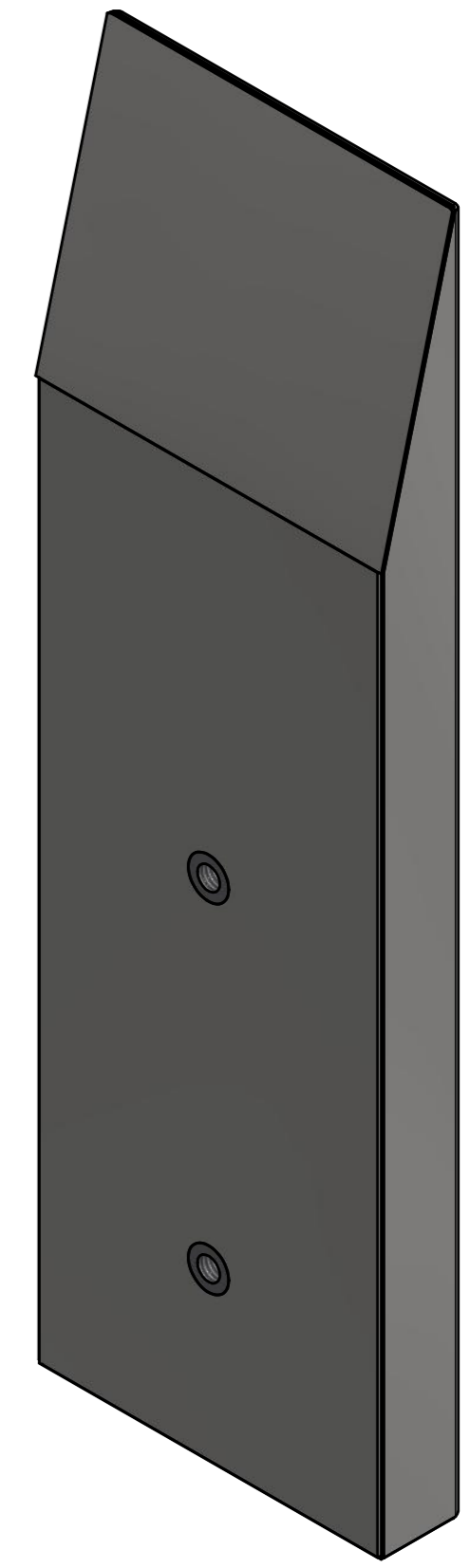
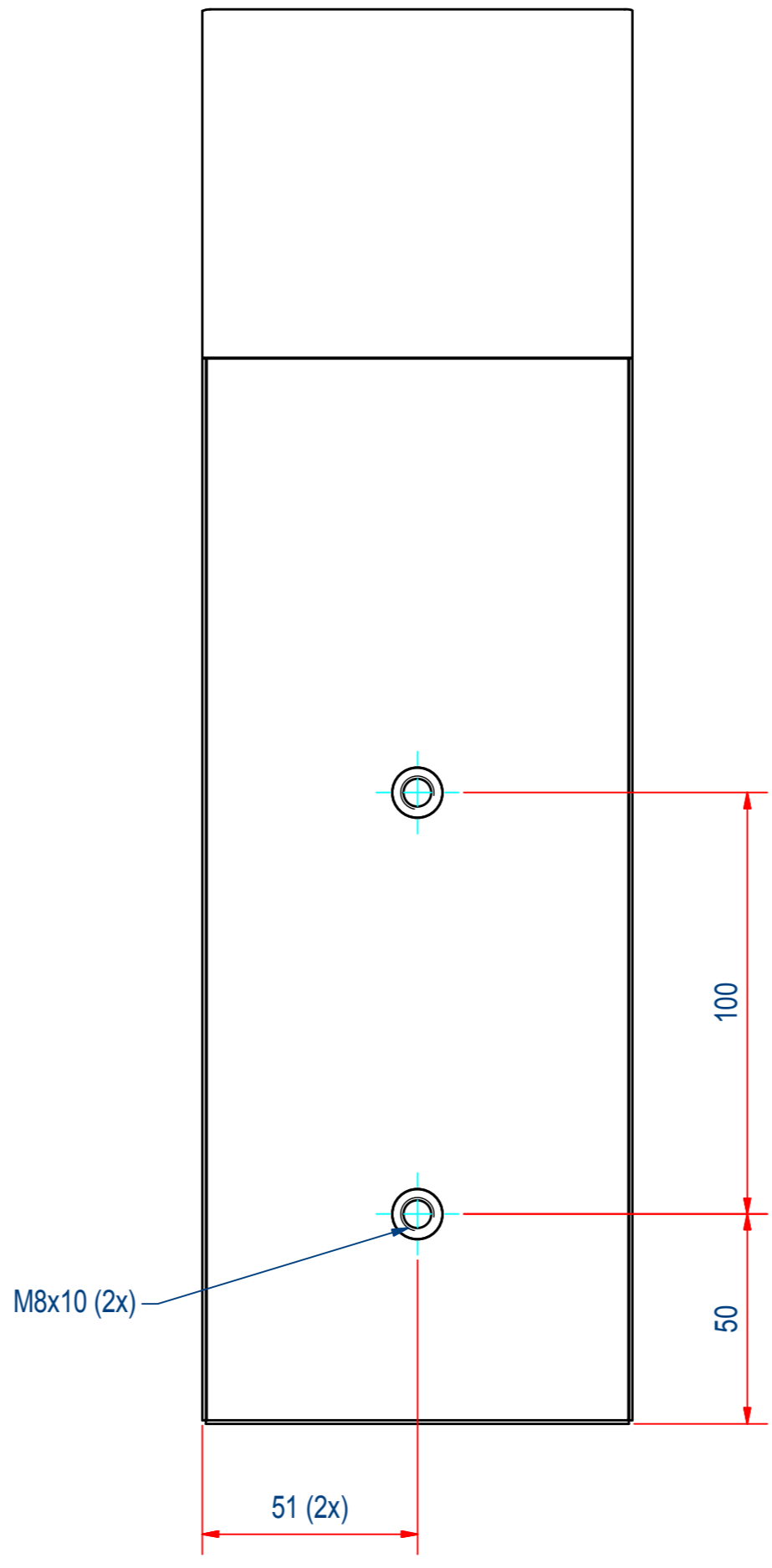
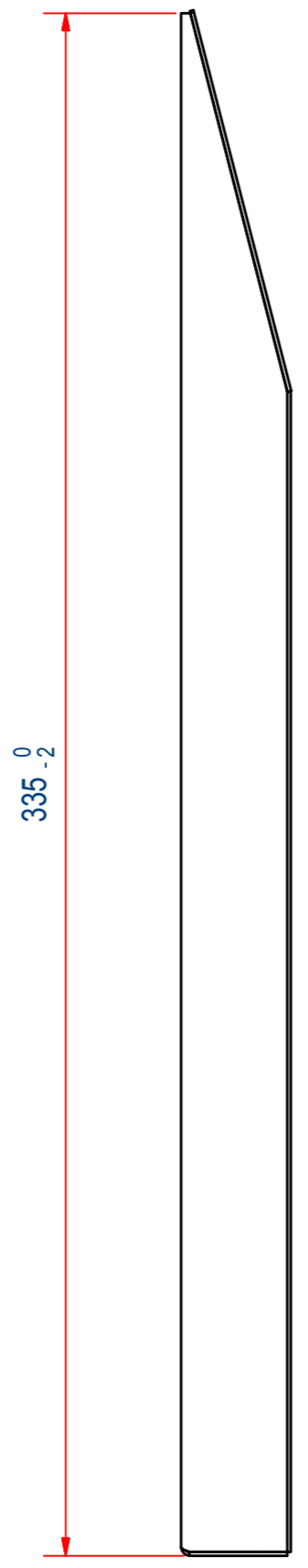
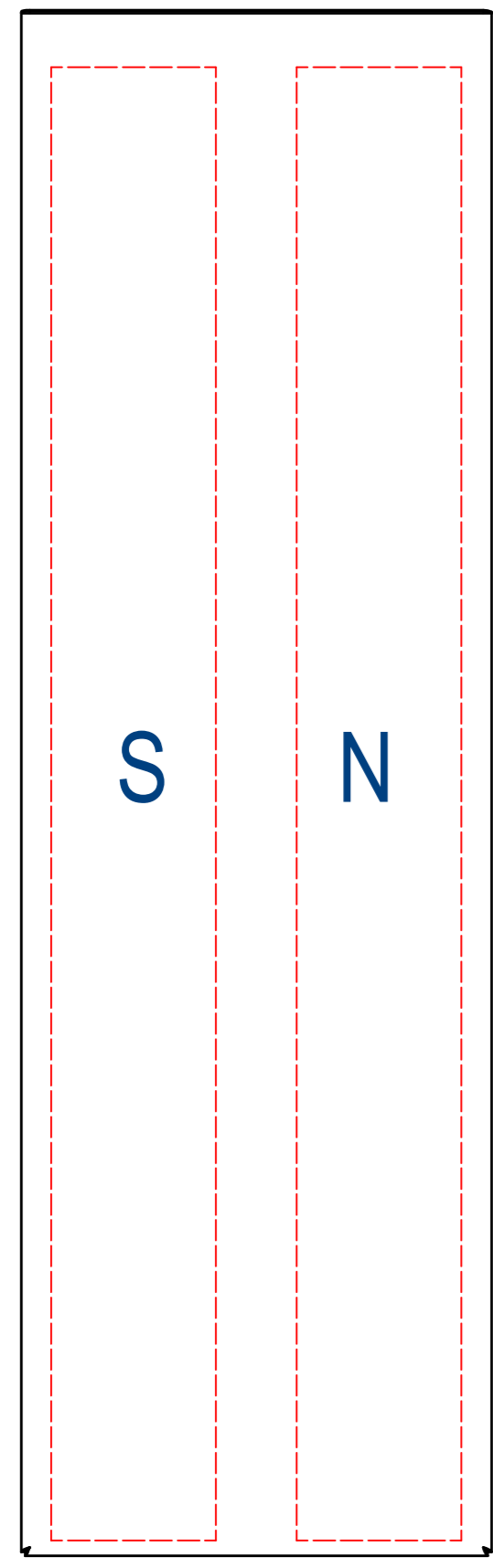


REV	DATE	BY	DESCRIPTION
-	7-7-2014	BS	ORIGINAL DRAWING



ITEM	QTY	PART NUMBER	DESCRIPTION	Dimensions
3	1	E0017976	PLATE FOR COVER, BACK	
2	1	E0017967	COVER	
1	1	E0018696	MAGN. LAY-OUT	

RAW MAT.	QTY	MAT. NUMBER	MAT. DESCRIPTION	LENGTH (mm)	WIDTH (mm)
	1				

Sheet: <b>A2</b> Drawn: <b>BS</b> Date: <b>7-7-2014</b> Spare part: <b>False</b> Quick search: <b>TBBB03</b>	Extra info: Weight (kg): <b>3,1</b> <b>GOUDSMIT</b> MAGNETIC SYSTEMS <small>© All rights reserved. Reproduction is not permitted without written permission of GOUDSMIT Magnetic Systems BV</small>	General tolerance: <b>ISO 2768- mK</b> Drawn according: <b>ISO268; ISO1101; ISO2553</b> Status: <b>Standard</b> Customer reference number: File number: <b>TBBB033503</b> Part number: <b>TBBB033503</b>
--	---	---

Description: <b>HRA-F-102x24-BB-0335-B-B</b>	Rev: <b>-</b>
--	---------------