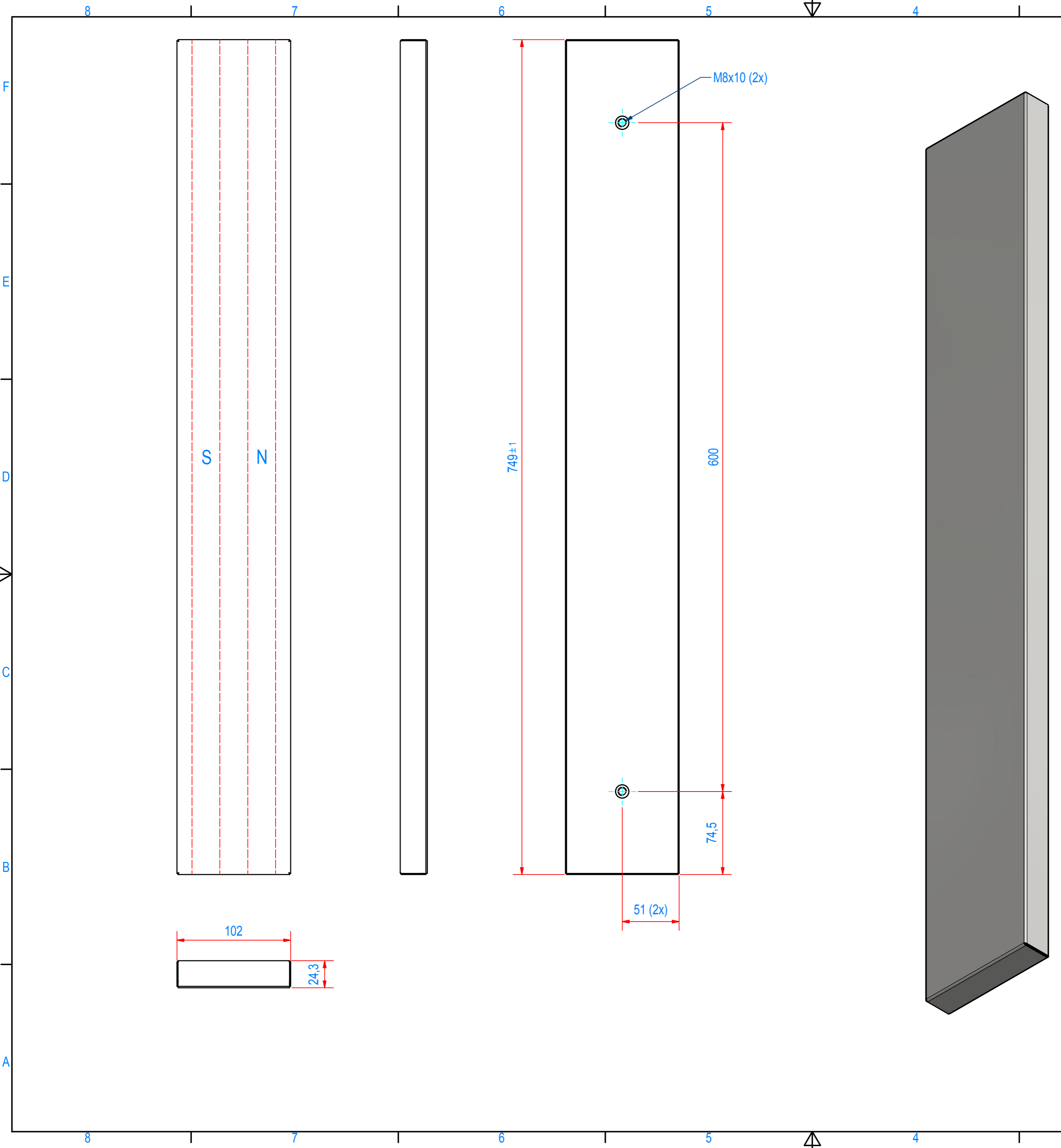


REV	DATE	BY	DESCRIPTION
-	22-10-2013	PB	NEW VAULT, NEW REVISION. NOTHING CHANGED. OLD REV WAS A
A	4-4-2014	PB	DESCRIPTION CHANGED



ITEM	QTY	PART NUMBER	DESCRIPTION	Dimensions	
2	1	TB1092	COVER		
1	1	E0009517	MAGN. LAY-OUT		
RAW MAT.	1			LENGTH (mm)	WIDTH (mm)

Sheet: <b>A2</b>	Extra info:	General tolerance: <b>ISO 2768 mK</b>
Drawn: <b>PB</b>	Weight (kg): <b>7,626</b>	Drawn according: <b>ISO268; ISO1101; ISO2553</b>
Date: <b>4-4-2014</b>	 <b>GOUDSMIT</b> MAGNETIC SYSTEMS <small>© All rights reserved. Reproduction is not permitted without written permission of GOUDSMIT Magnetic Systems BV</small>	Status: <b>Standard</b>
Spare part: <b>False</b>		Customer reference number:
Quick search: <b>TBAA03</b>	File number: <b>TBAA075003</b>	Rev: <b>A</b>
Description: <b>HRA-F-102x24-AA-0750-B-B</b>	Part number: <b>TBAA075003</b>	Rev: <b>A</b>