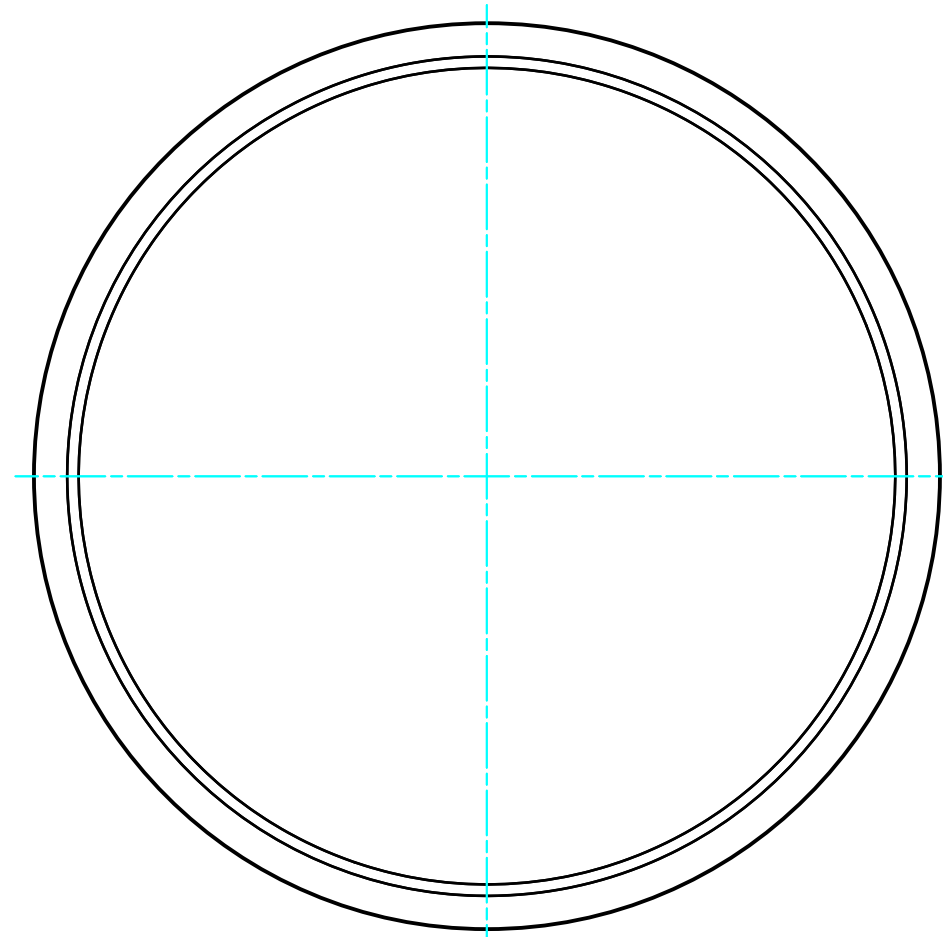
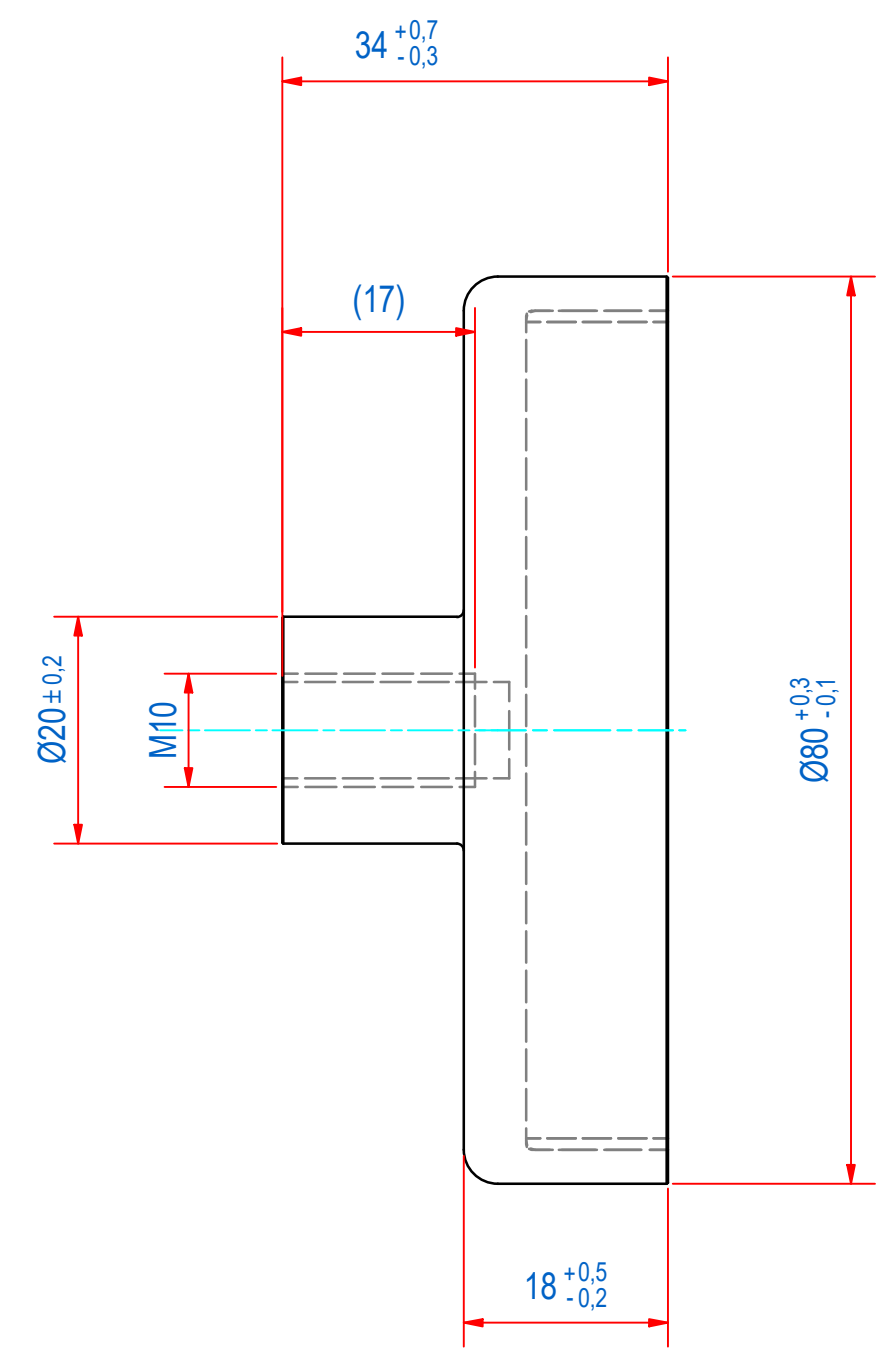
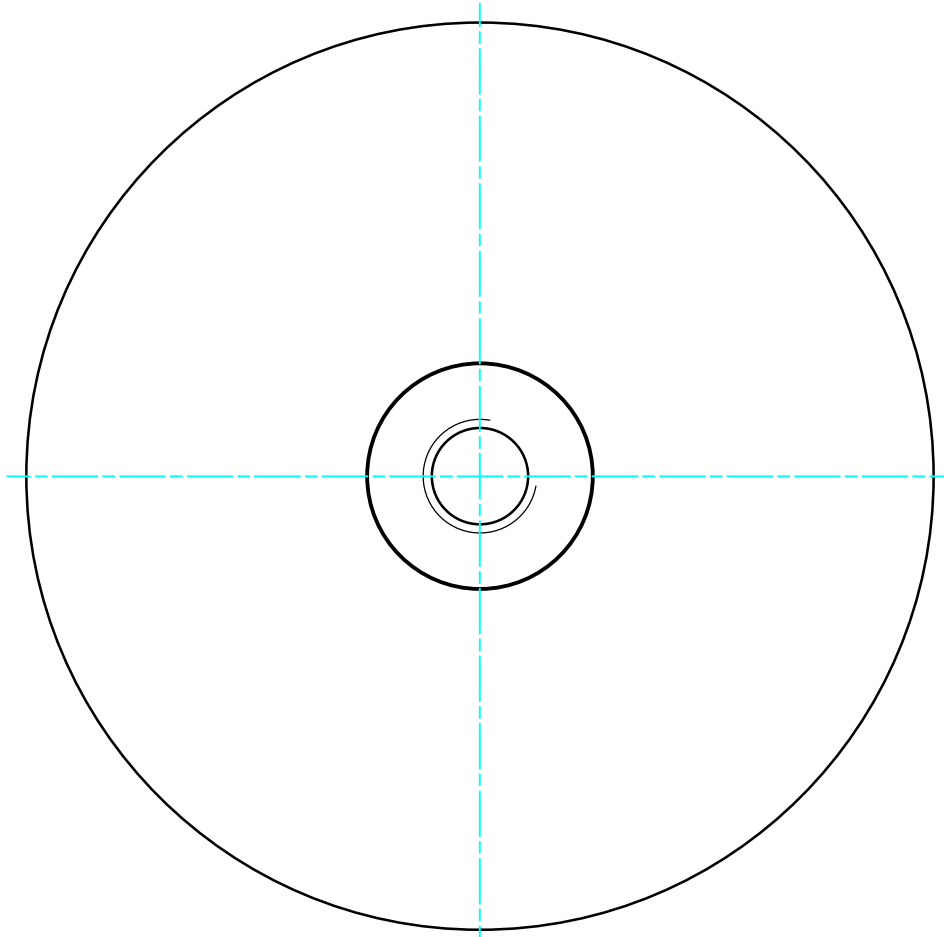
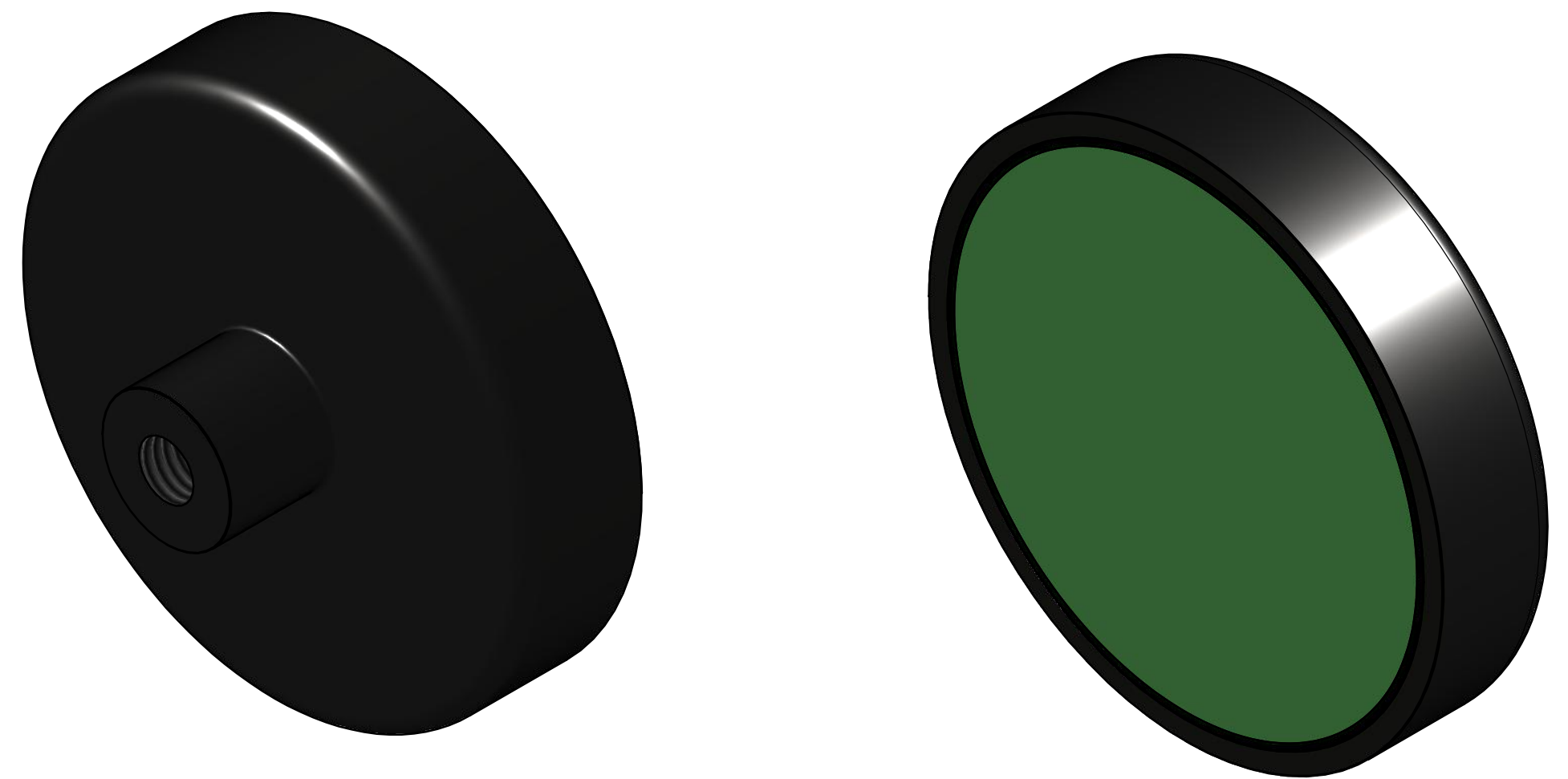


DOC.NR.	REV	DATE	BY	DESCRIPTION
GM16510	-	25-9-2019	PV	ORIGINAL DRAWING



SURFACE TREATMENT: ZINC PLATED

RAW MAT.	1							
Quantity		Material Number		Material Description		Length (mm)		Width (mm)
Sheet:	A2	Extra info:	POTMAGNET FERRITE		General tolerance:		ISO 2768- mK	
Drawn:	PV	Weight (kg):	0,72		Drawn according:		ISO268; ISO1101; ISO2553	
Date:	24-9-2019	GOUDSMIT MAGNETICS		Status:		Released		
Spare part:	False	© All rights reserved. Reproduction is not permitted without written permission of GOUDSMIT Magnetic Systems BV		Customer reference number:				
Quick search:	POTGM	Document number:		GM16510		Doc.Rev:		
Description:	PM-TB-F-SG-D80x18x34xM10	Part number:		GM16510		Rev:		