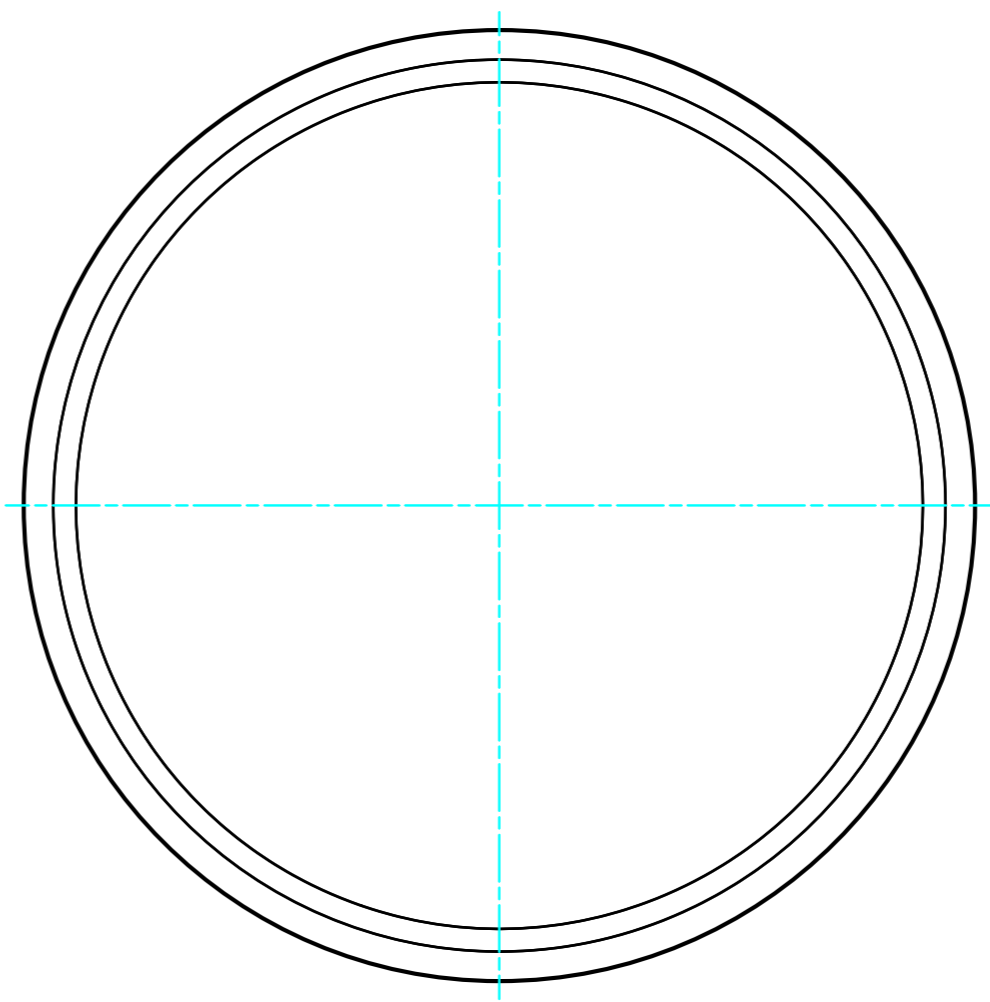
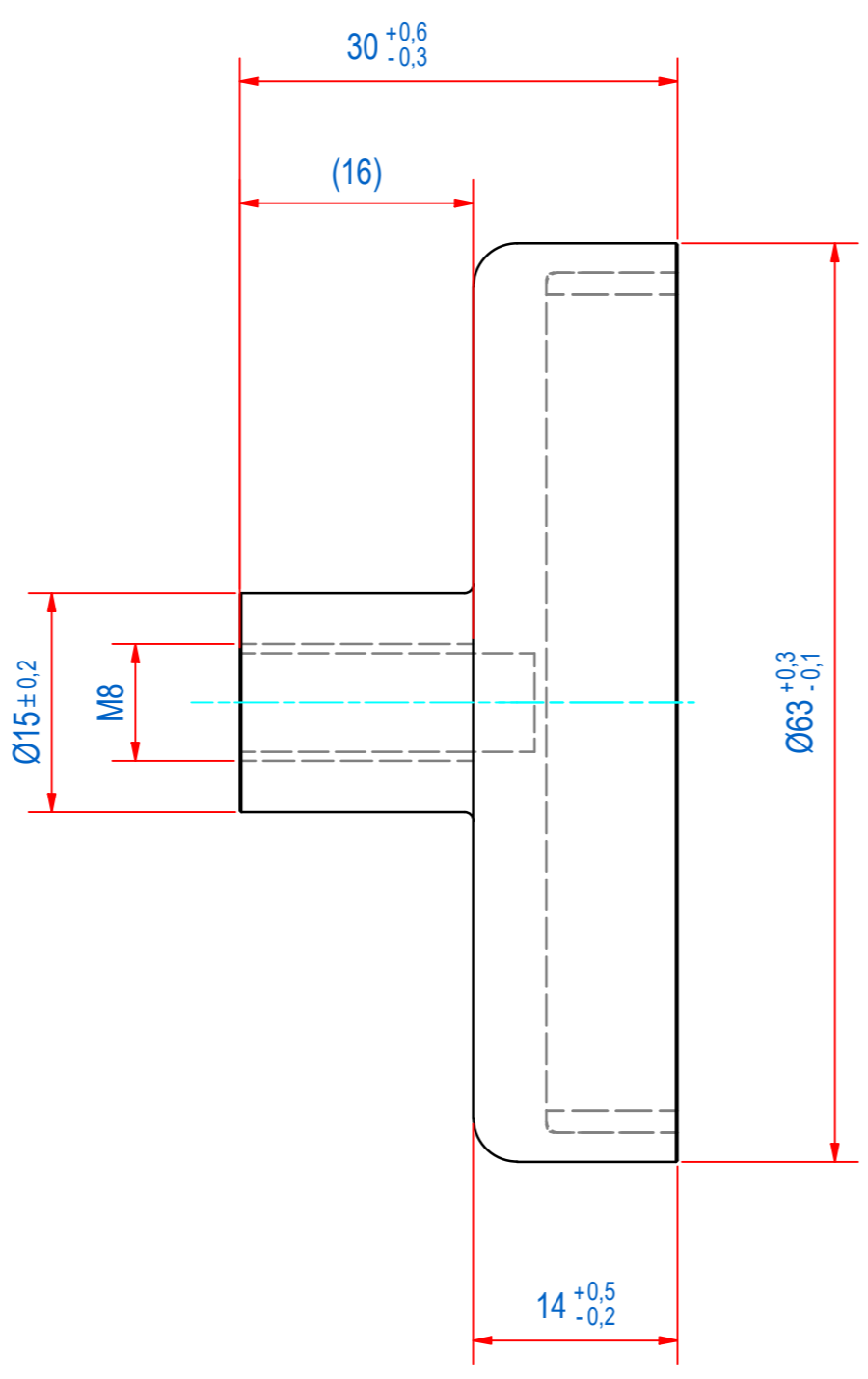
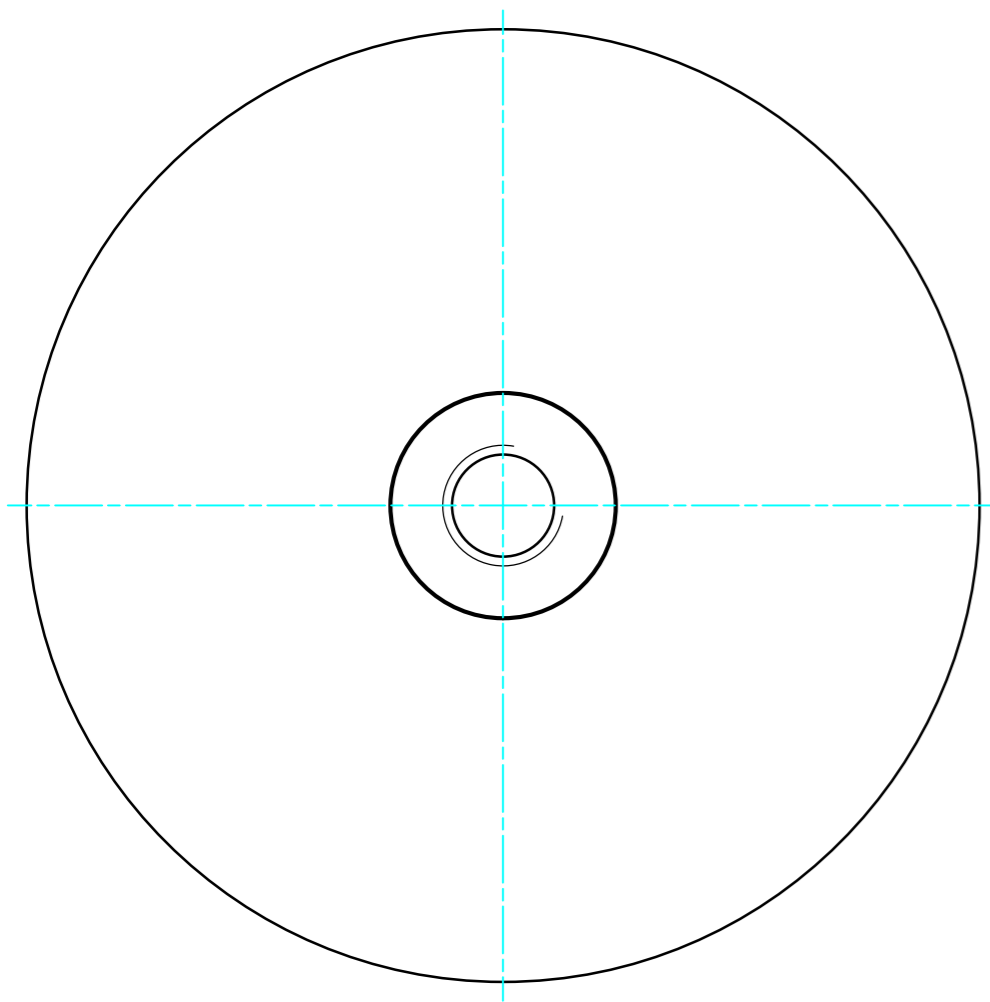
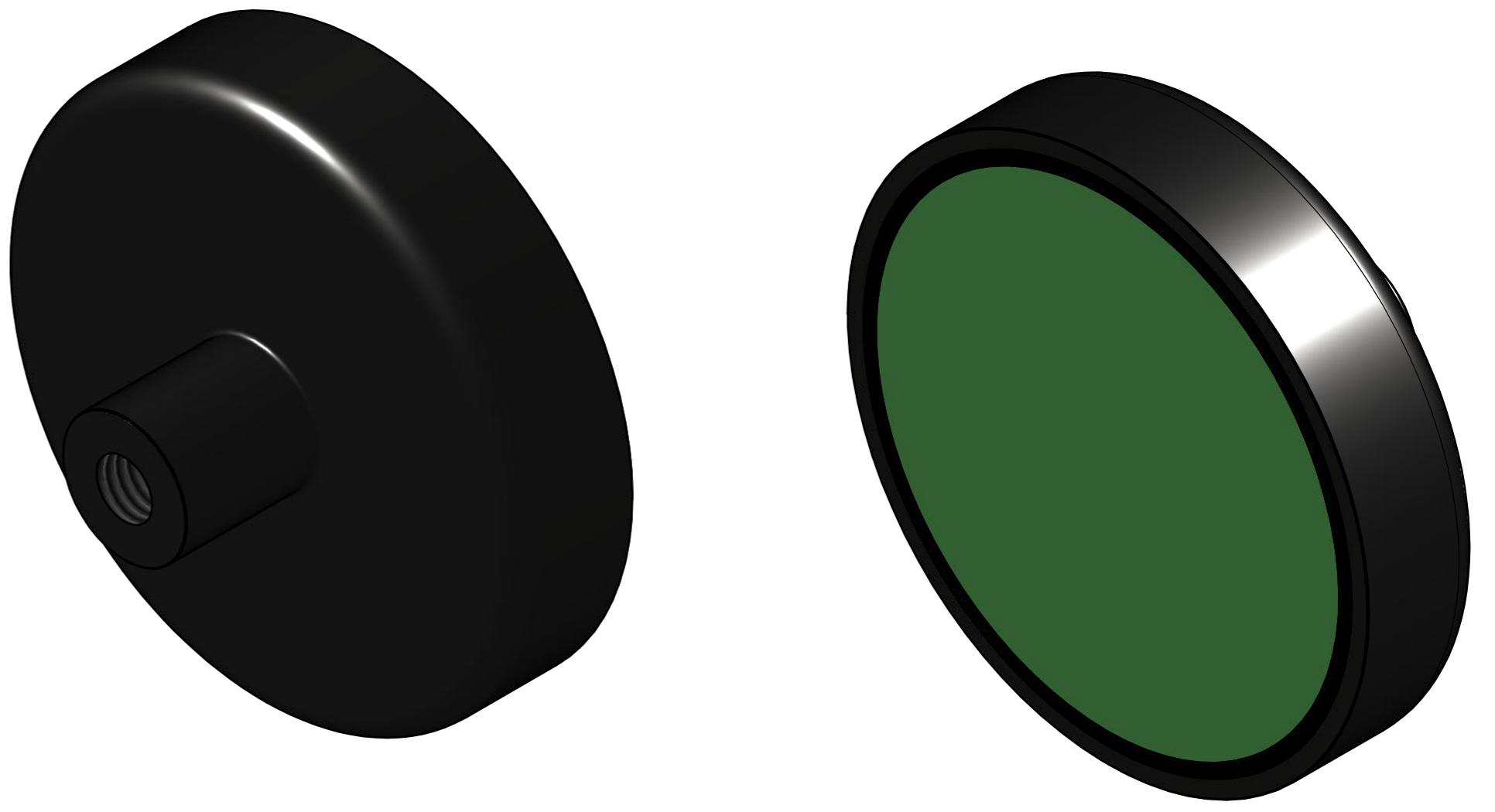


DOC.NR.	REV	DATE	BY	DESCRIPTION
GM16509	-	25-9-2019	PV	ORIGINAL DRAWING



SURFACE TREATMENT: ZINC PLATED

RAW MAT.	1	Quantity	Material Number	Material Description	Length (mm)	Width (mm)
Sheet:	A2	Extra info:	POTMAGNET FERRITE			
Drawn:	PV	Weight (kg):	0,34			
Date:	23-9-2019	General tolerance:		ISO 2768- mK		
Spare part:	False	Drawn according:		ISO268; ISO1101; ISO2553		
Quick search:	POTGM	Status:		Released		
Description:	PM-TB-F-SG-D63x14x30xM8			Customer reference number:	-	
© All rights reserved. Reproduction is not permitted without written permission of GOUDSMIT Magnetic Systems BV				Document number:	GM16509	
				Part number:	GM16509	
				Doc.Rev:	-	
				Rev:	-	