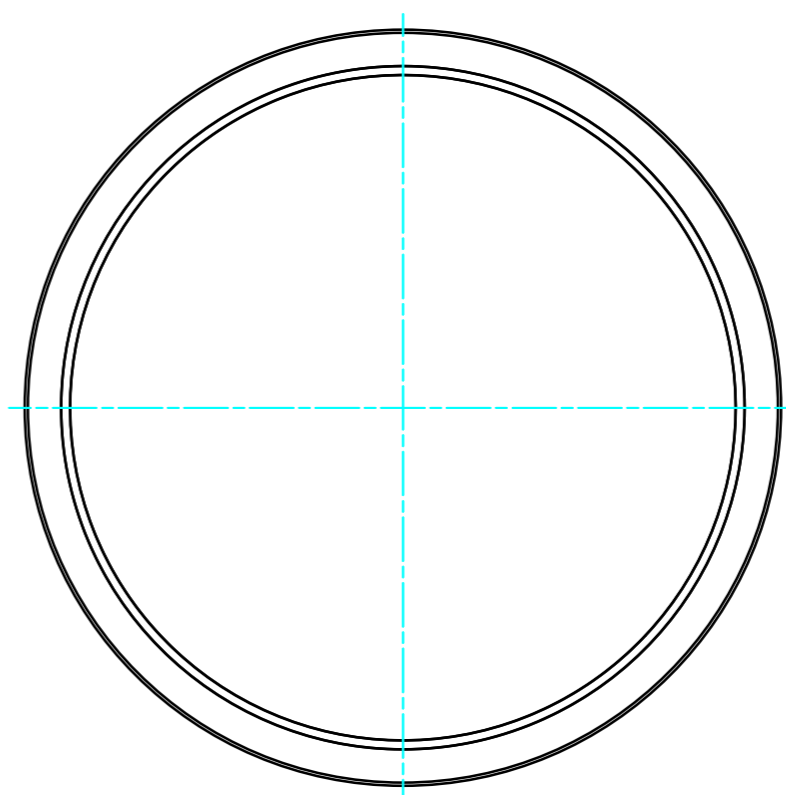
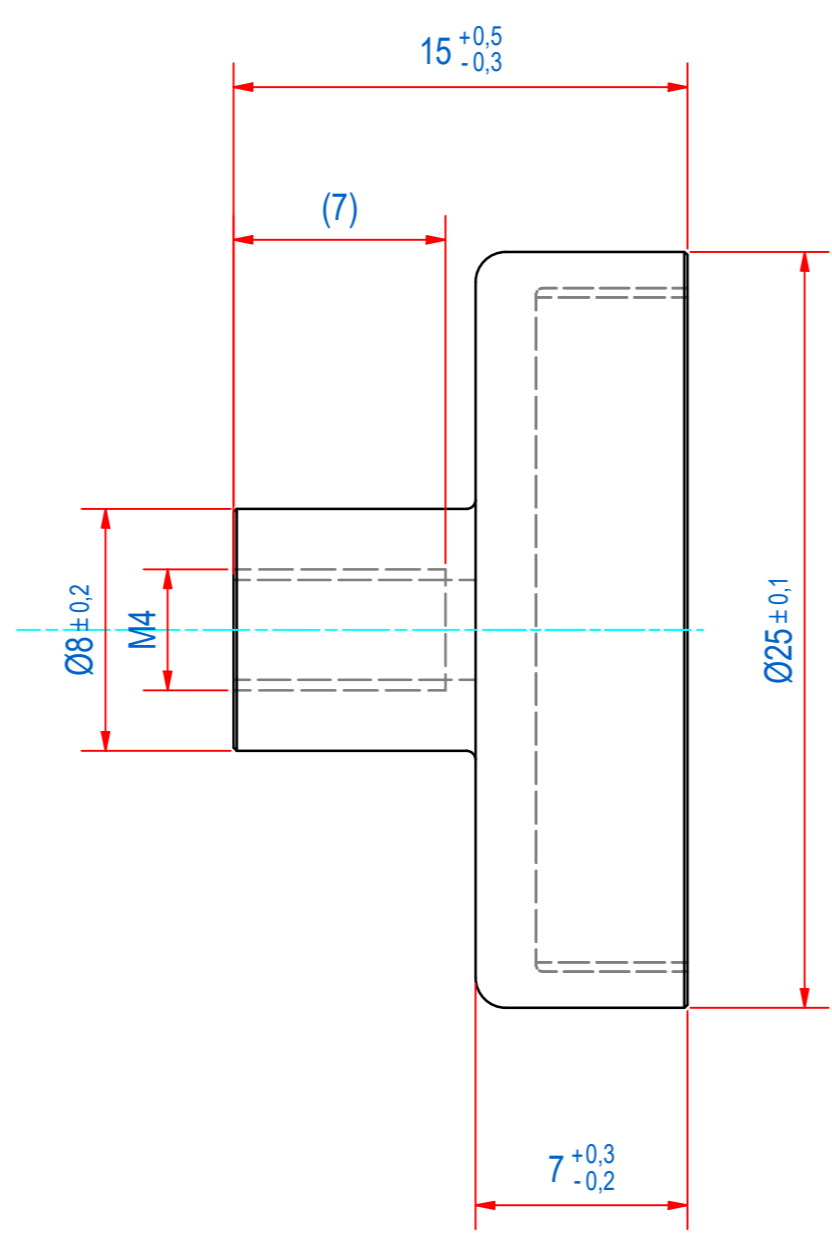
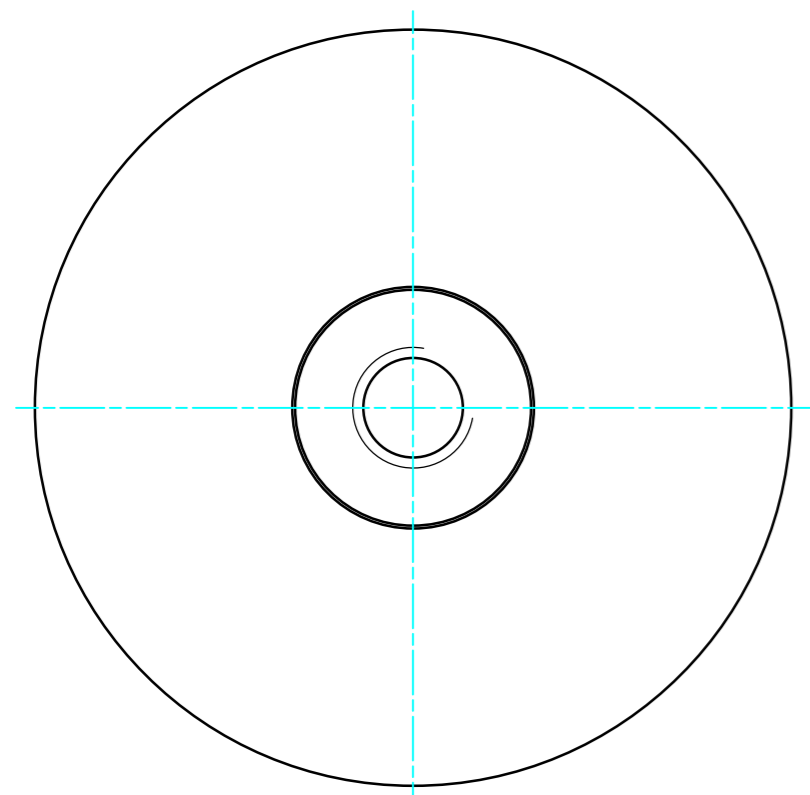


DOC.NR.	REV	DATE	BY	DESCRIPTION
GM16505	-	25-9-2019	PV	ORIGINAL DRAWING



SURFACE TREATMENT: ZINC PLATED

RAW MAT.	1	Quantity	Material Number	Material Description	Length (mm)	Width (mm)
Drawn:	PV	Sheet:	A2	Extra info: POTMAGNET FERRITE	General tolerance: ISO 2768- mK	
Date:	23-9-2019	Weight (kg):	0,029		Drawn according: ISO268; ISO1101; ISO2553	
Spare part:	False	Source:			Status: Released	
Quick search:	POTGM				Customer reference number:	
Description:	PM-TB-F-SG-D25x7x15xM4			Document number:	GM16505	Doc.Rev: -
				Part number:	GM16505	Rev: -