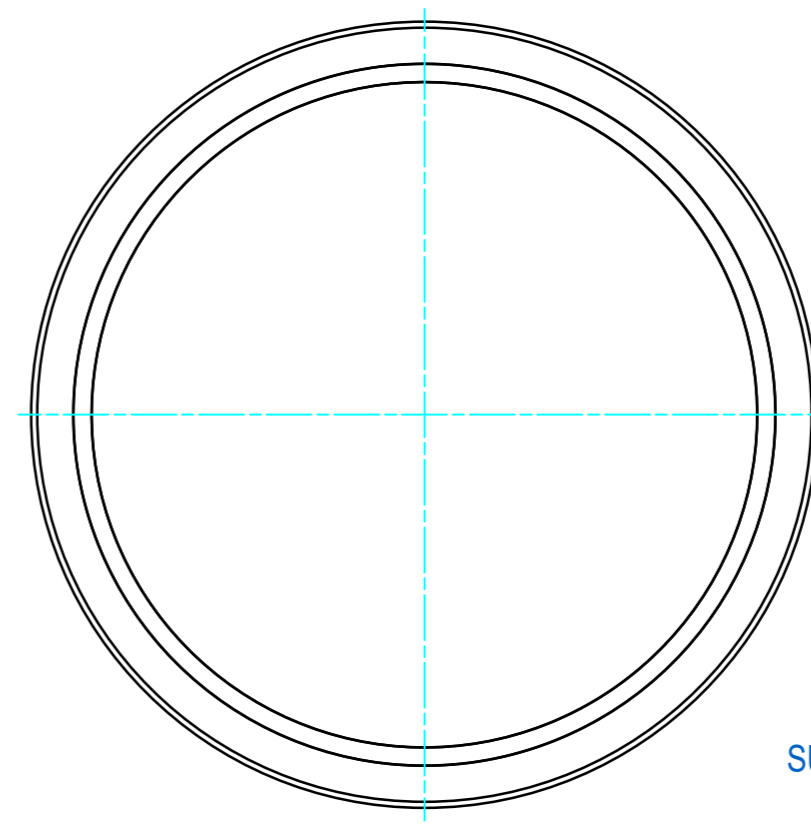
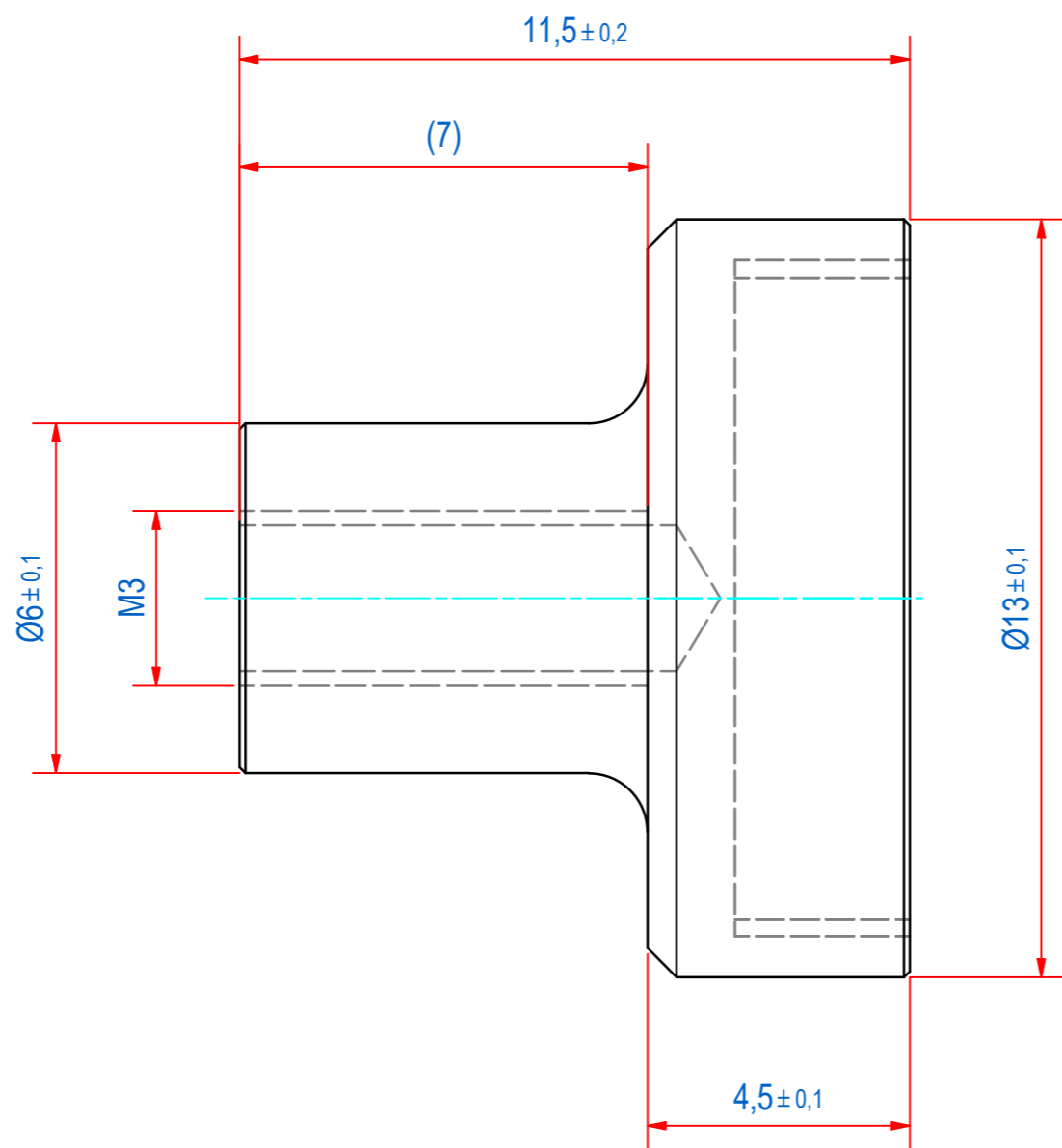
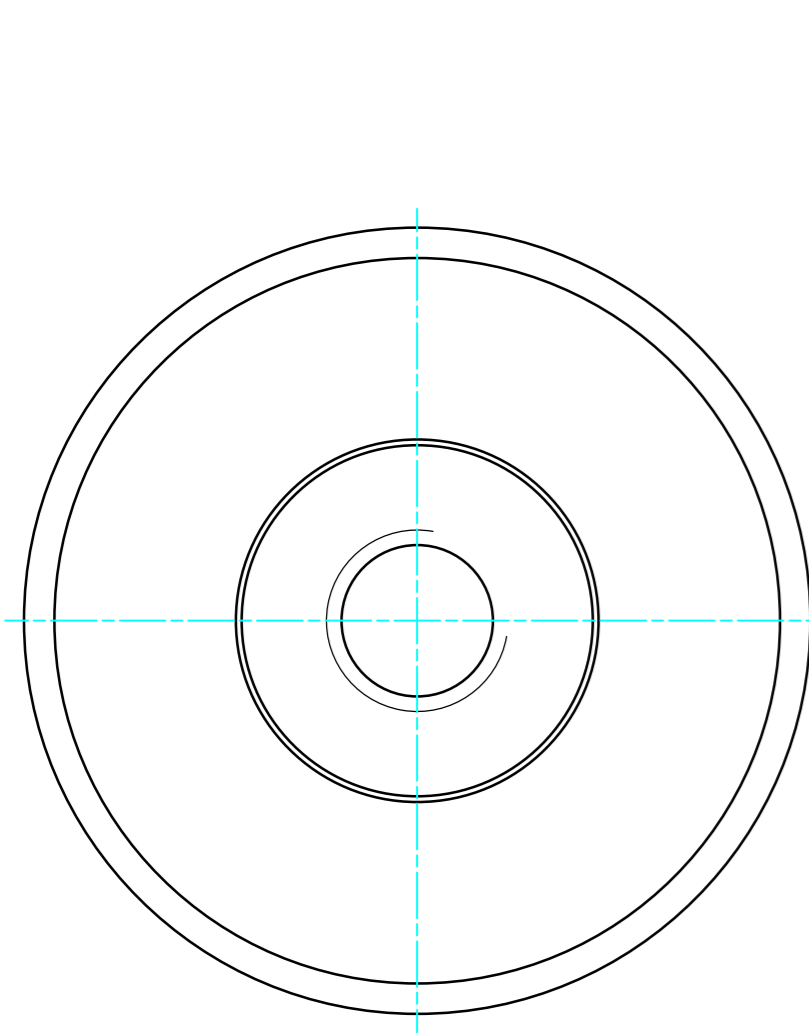
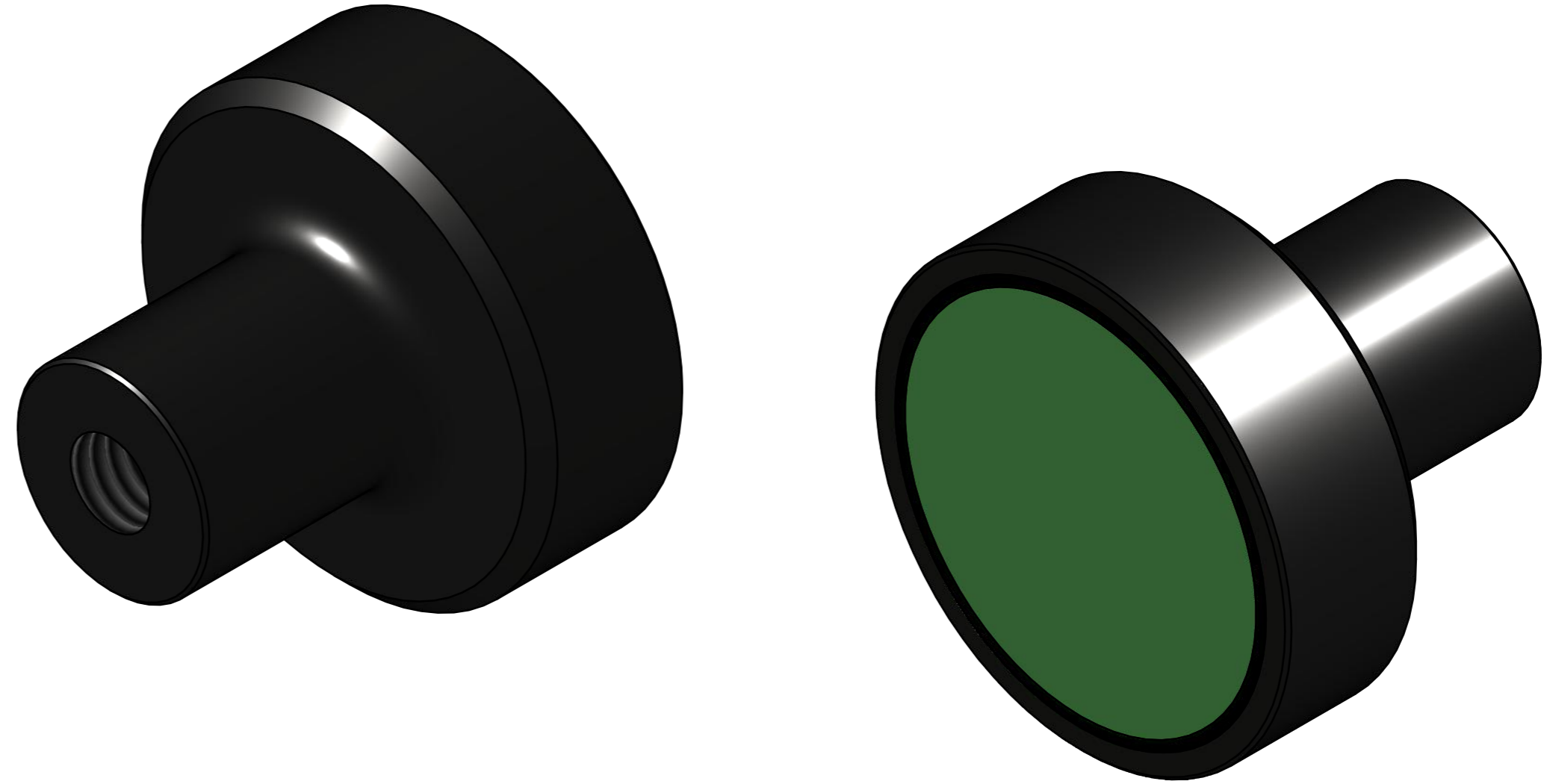


DOC.NR.	REV	DATE	BY	DESCRIPTION
E0119294	-	30-9-2019	PV	ORIGINAL DRAWING



SURFACE TREATMENT: ZINC PLATED

RAW MAT.	1	Quantity	Material Number	Material Description	Length (mm)	Width (mm)
Sheet:	A2	Extra info:	POTMAGNET SAMARIUM-COBALT		General tolerance: ISO 2768- mK	
Drawn:	PV	Weight (kg):	0,006		Drawn according: ISO268; ISO1101; ISO2553	
Date:	19-7-2019	Source:	GOUDSMIT MAGNETICS		Status: Released	
Spare part:	False	Quick search:	POTGM	© All rights reserved. Reproduction is not permitted without written permission of GOUDSMIT Magnetic Systems BV	Customer reference number:	Document number: E0119294
Description:	PM-TB-S-SG-D13x4.5x11.5xM3			Part number:	GM17204	Doc.Rev: -