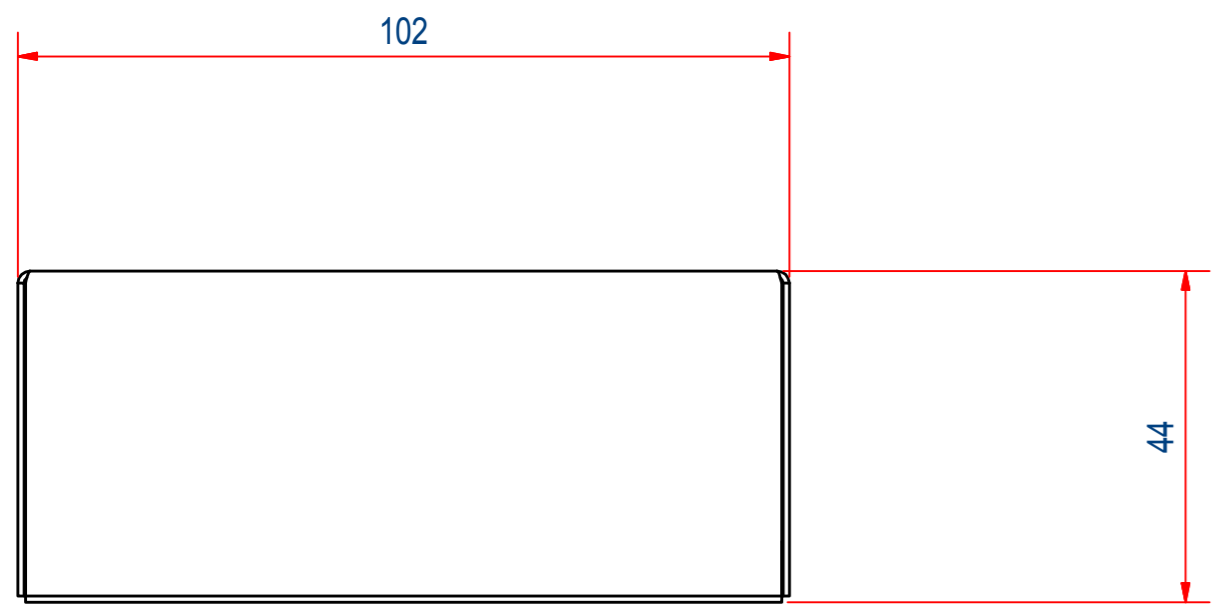
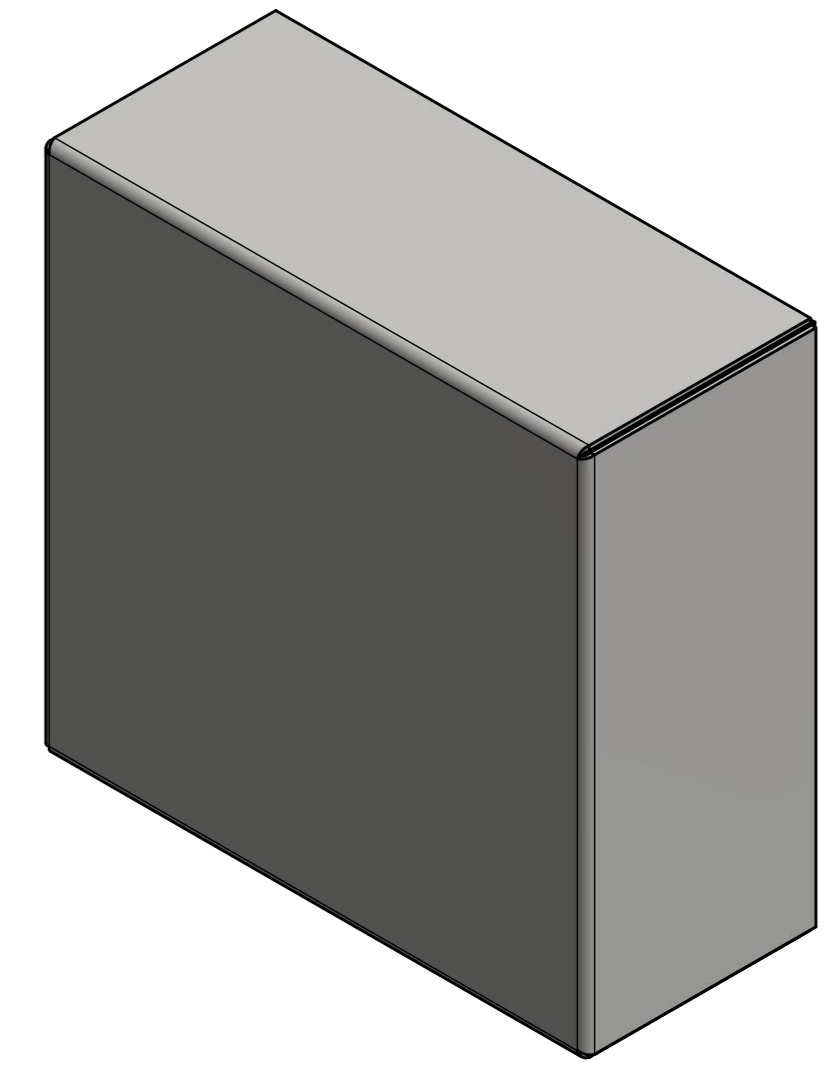
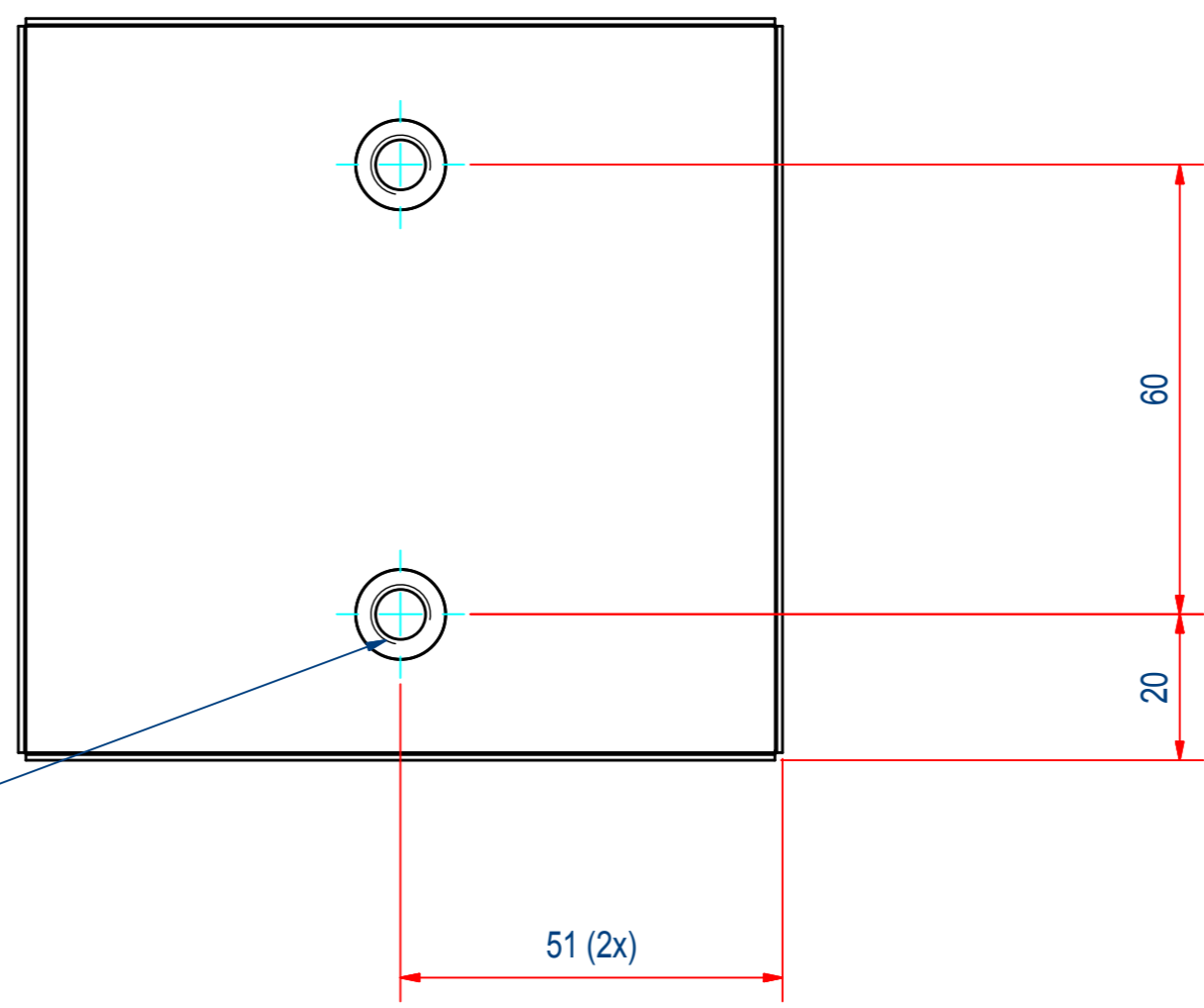
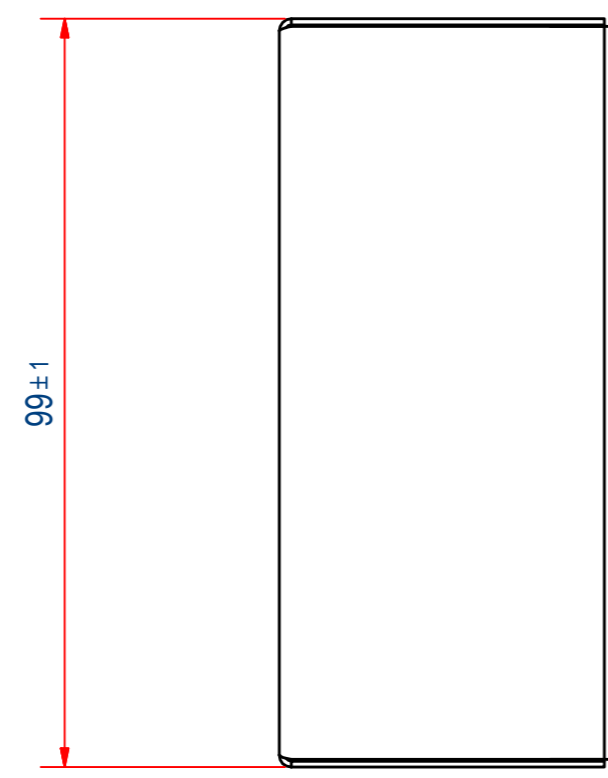
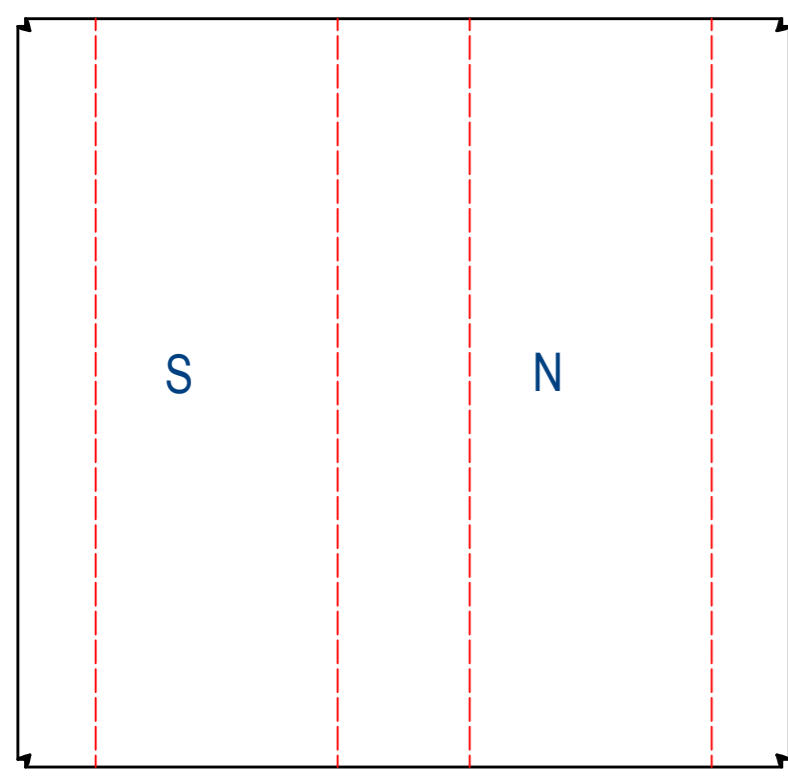


REV	DATE	BY	DESCRIPTION
-	2-4-2014	PB	NEW VAULT, NEW REVISION. NOTHING CHANGED. OLD REV WAS A



ITEM	QTY	PART NUMBER	DESCRIPTION	Dimensions
2	1	E0015278	COVER	
1	1	E0015280	MAGN. LAY-OUT	

RAW MAT.	QTY	MAT. NUMBER	MAT. DESCRIPTION	LENGTH (mm)	WIDTH (mm)
1	1				

Sheet: <b>A2</b>	Extra info:	General tolerance: <b>ISO 2768 - mK</b>
Drawn: <b>PB</b>	Weight (kg): <b>2</b>	Drawn according: <b>ISO268; ISO1101; ISO2553</b>
Date: <b>2-4-2014</b>		Status: <b>Standard</b>
Spare part: <b>False</b>		Customer reference number:
Quick search: <b>TBAA14</b>	© All rights reserved. Reproduction is not permitted without written permission of GOUDSMIT Magnetic Systems BV	File number: <b>TBAA010014</b>
Description: <b>HRA-F-102x44-AA-0100-R-B</b>		Part number: <b>TBAA010014</b>