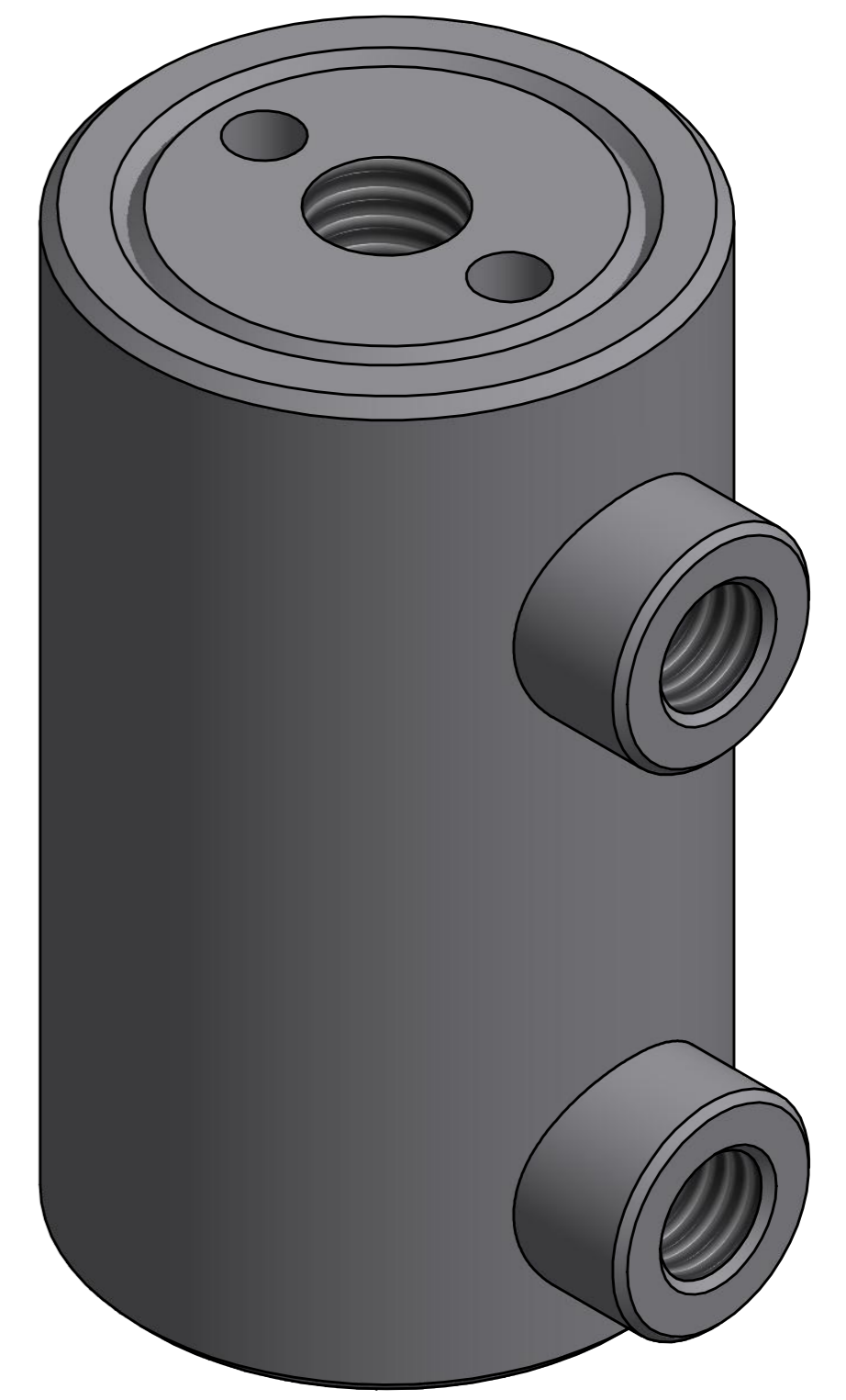
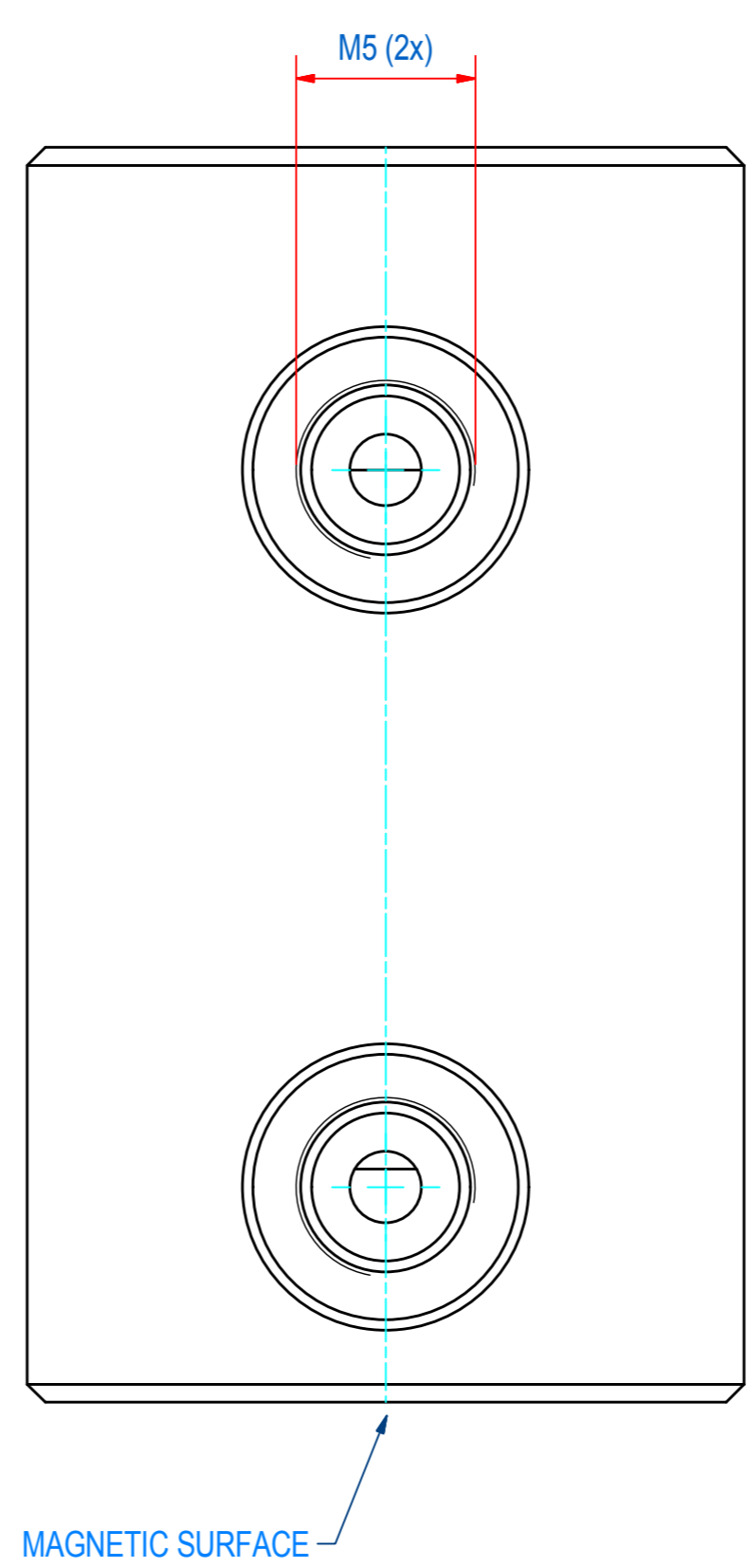
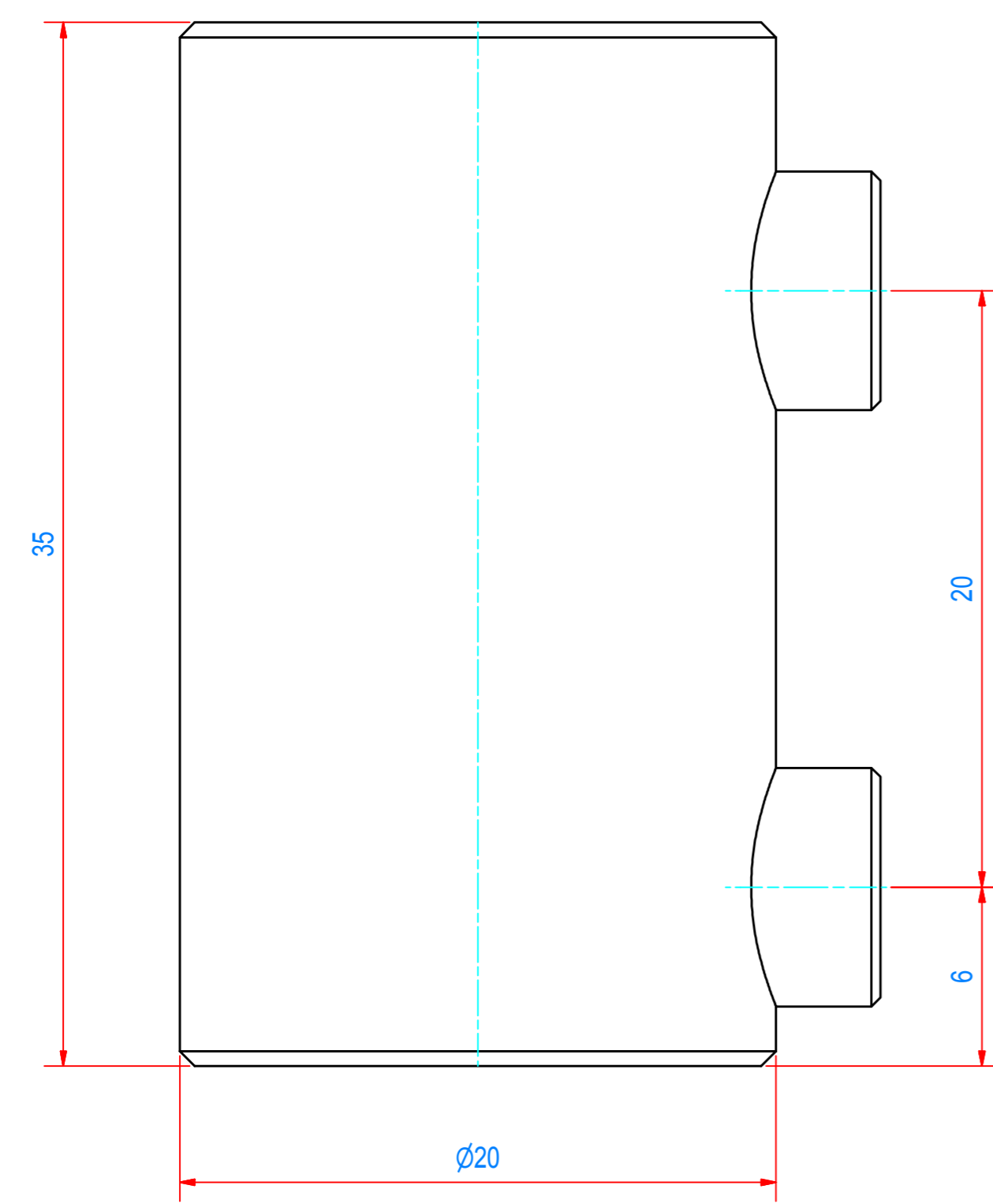
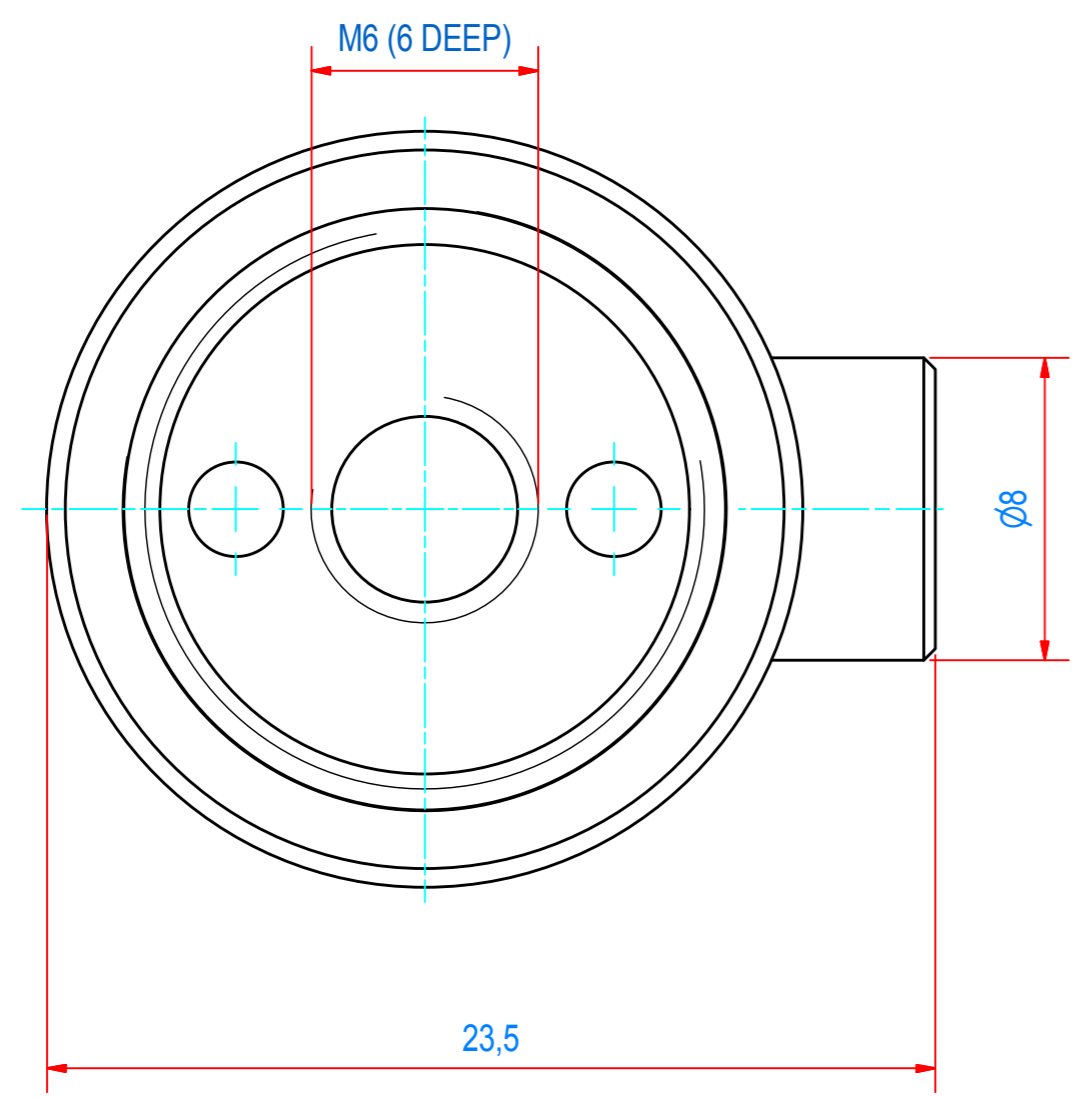


REV	DATE	BY	DESCRIPTION
-	10-4-2013	BS	NEW VAULT, NOTHING CHANGED, IS EQUAL TO OLD REVISION C



ITEM	QTY	PART NUMBER	DESCRIPTION	Dimensions	
1	1	M56335	MOUNTING ASSY TPGC020018		
RAW MAT.	1			LENGTH (mm)	WIDTH (mm)
Sheet:	A2	Extra info:	General tolerance:	ISO 2768- mK	
Drawn:	BS	Weight (kg): 0,1	Drawn according:	ISO268; ISO1101; ISO2553	
Date:	10-4-2013		Status:	Standard	
Spare part:	False		Customer reference number:		
Quick search:	TPGC020		File number:	TPGC020018	Rev: -
Description:	HGR-RO-020-FL-R-M-F			Part number:	TPGC020018

