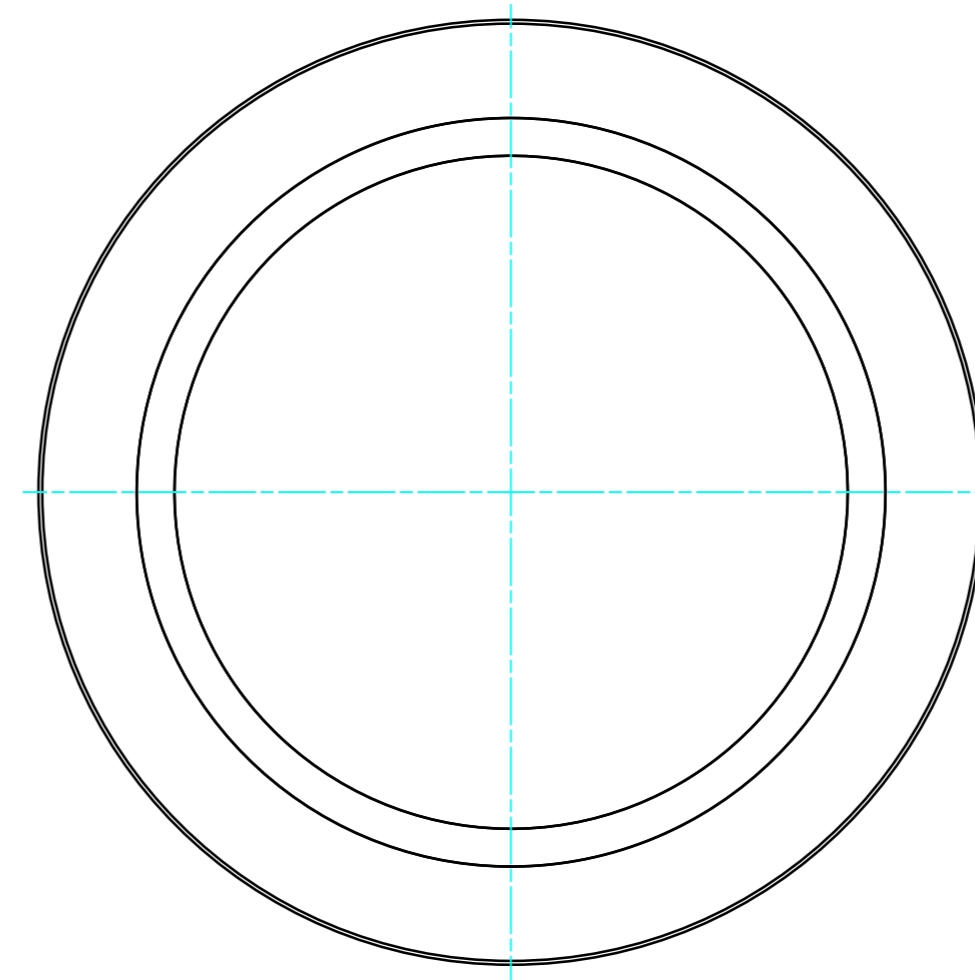
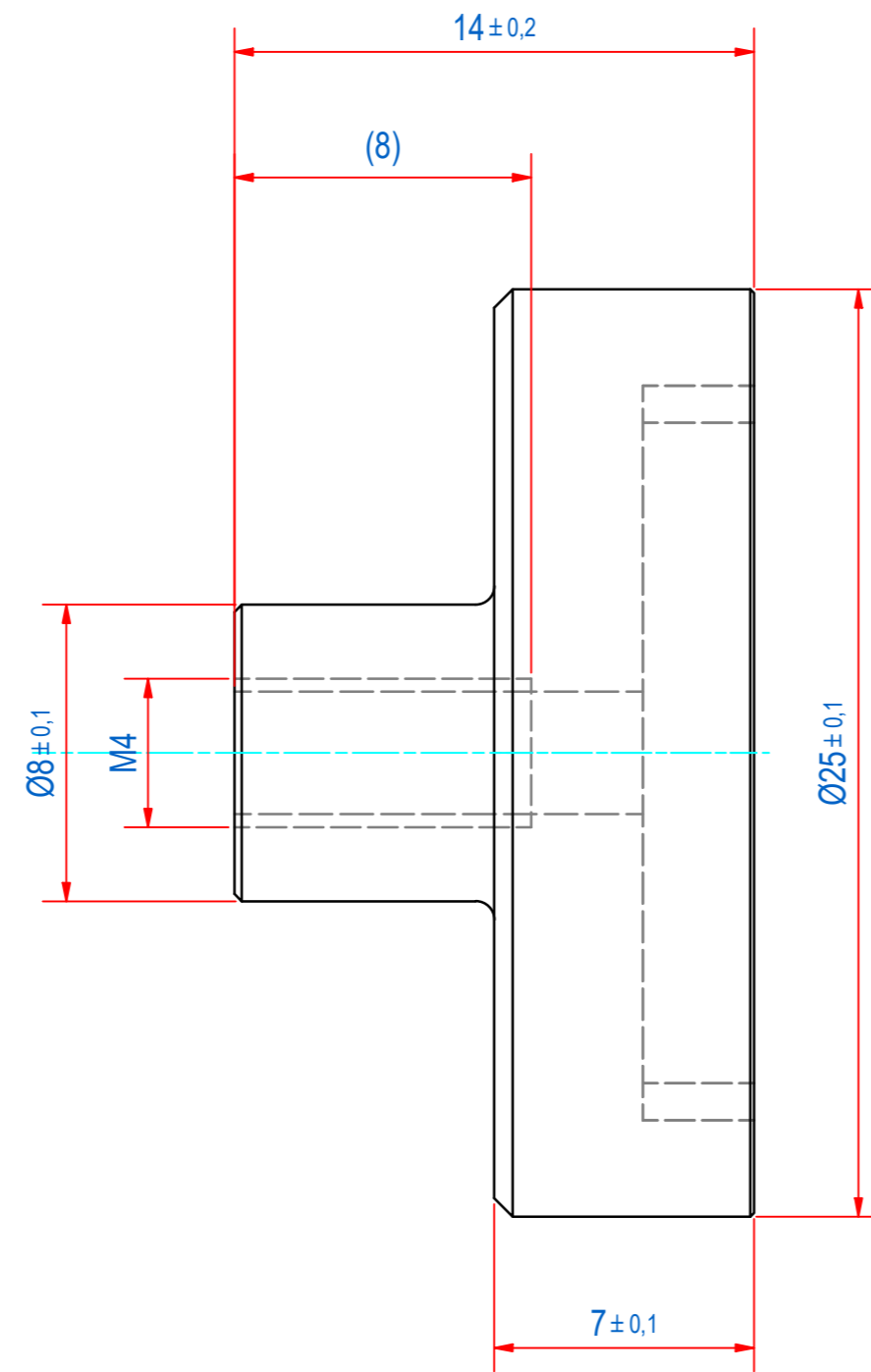
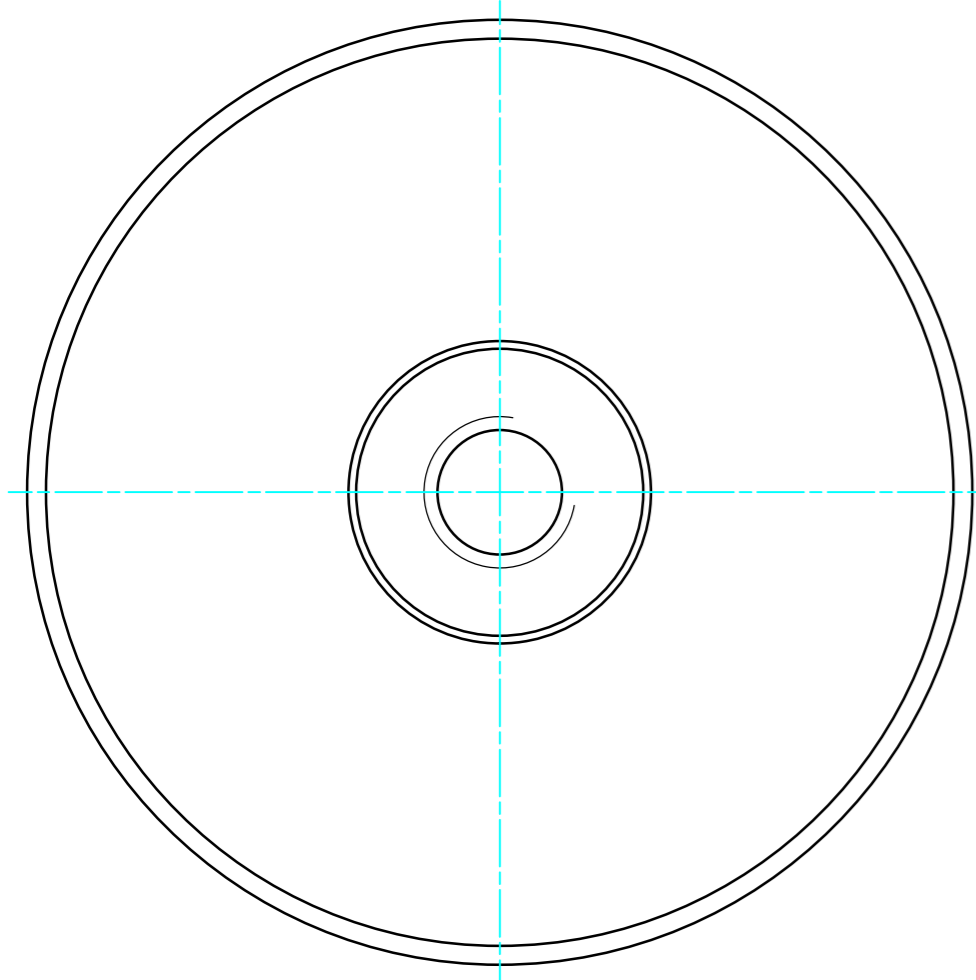
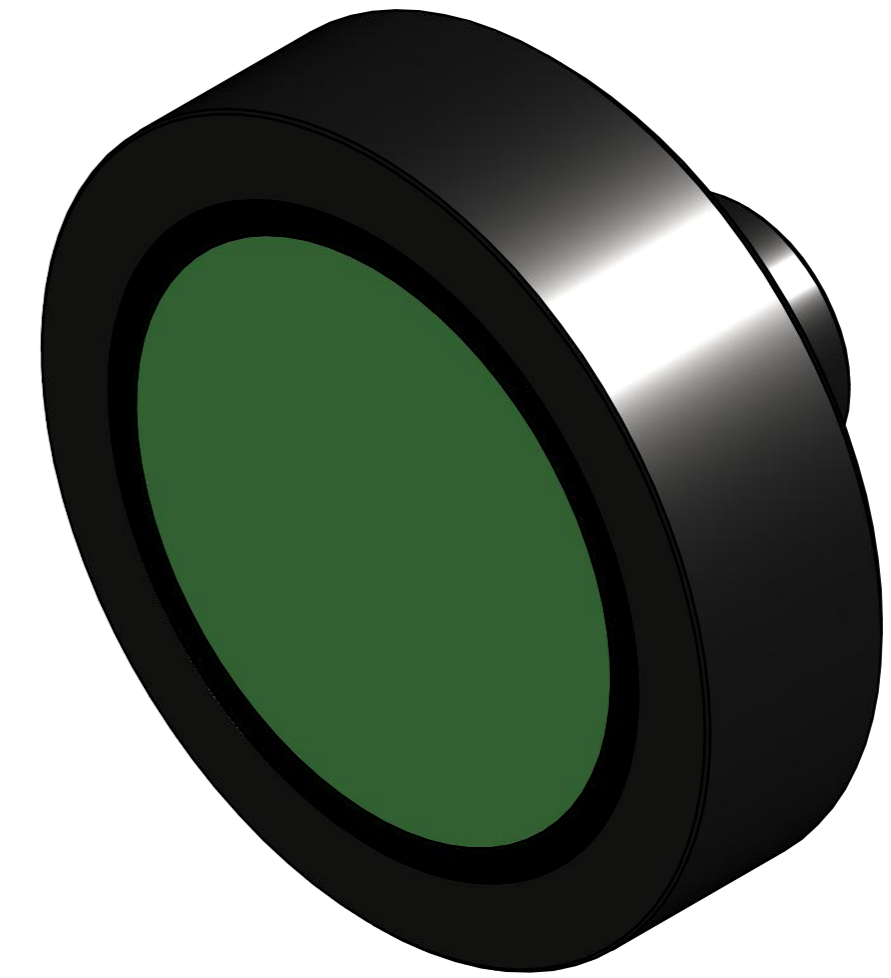



DOC.NR.	REV	DATE	BY	DESCRIPTION
E0118882	-	2-10-2019	PV	ORIGINAL DRAWING



SURFACE TREATMENT: ZINC PLATED

RAW MAT.	1	Quantity	Material Number	Material Description	Length (mm)	Width (mm)
Sheet:	A2	Extra info:	POTMAGNET NEODYMIUM		General tolerance: ISO 2768- mK	
Drawn:	PV	Weight (kg):	0,028		Drawn according: ISO268; ISO1101; ISO2553	
Date:	17-7-2019	Status:		Released		
Spare part:	False	Customer reference number:				
Quick search:	POTGM			Document number:	E0118882	Doc.Rev:
Description:	PM-TB-N-SG-D25x7x14xM4			Part number:	GM17606	Rev: