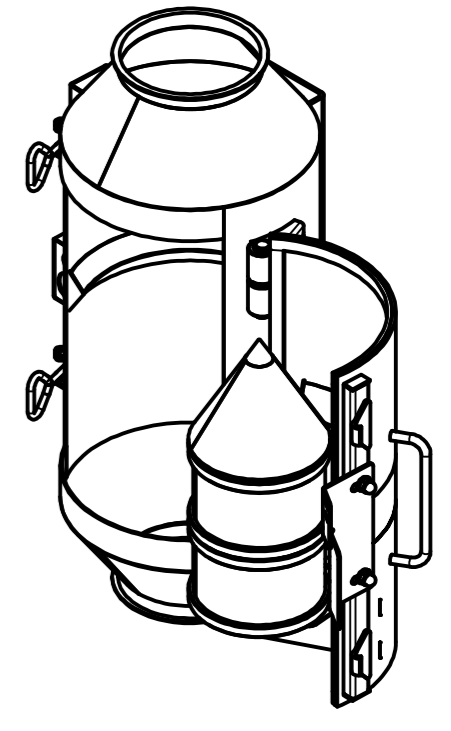
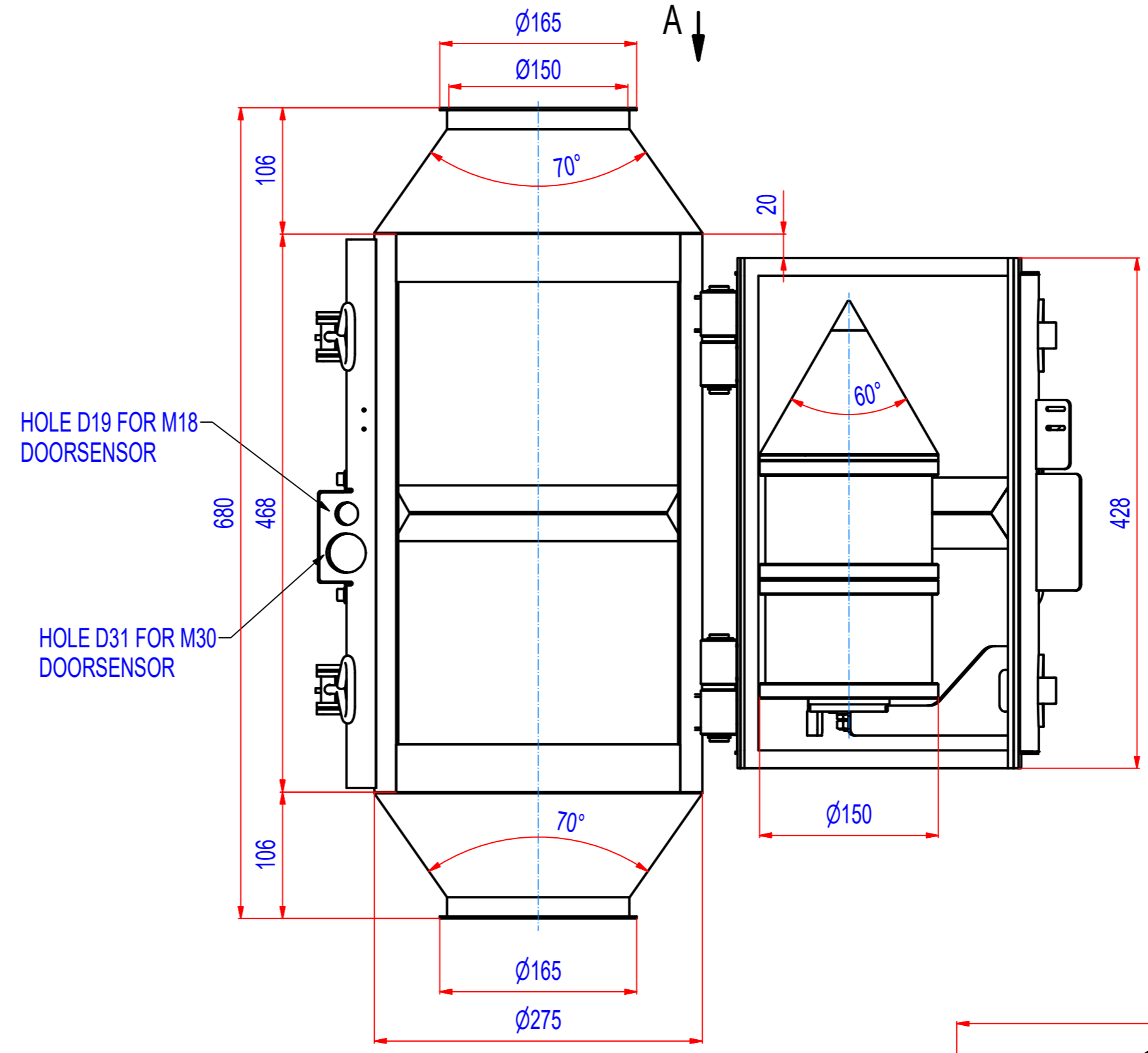
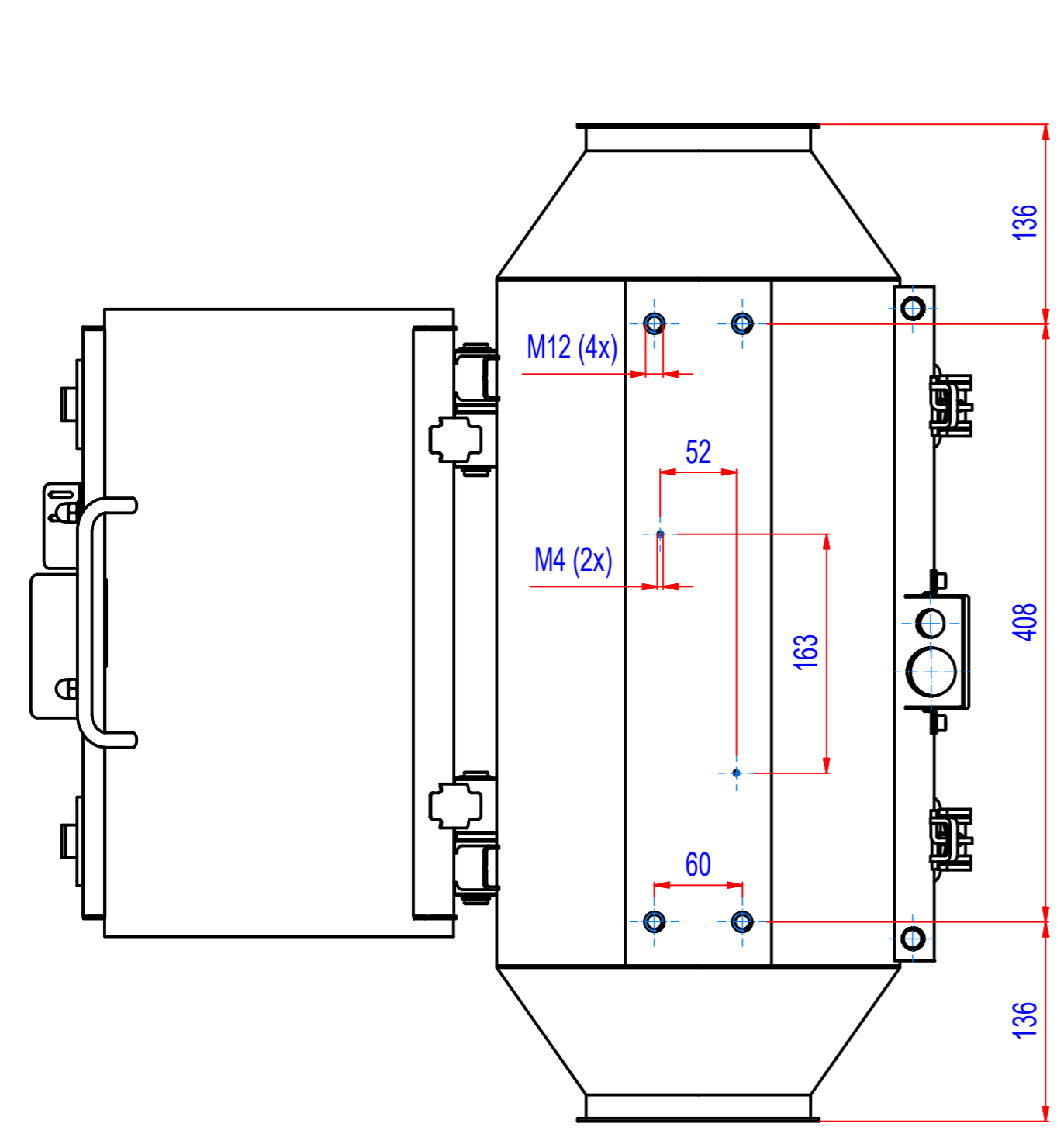
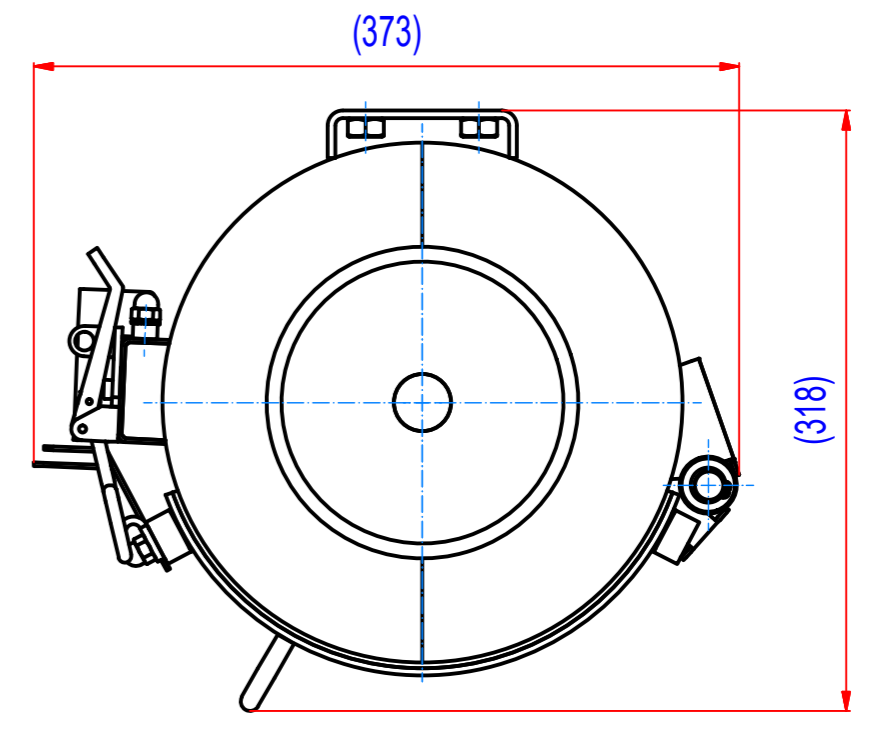
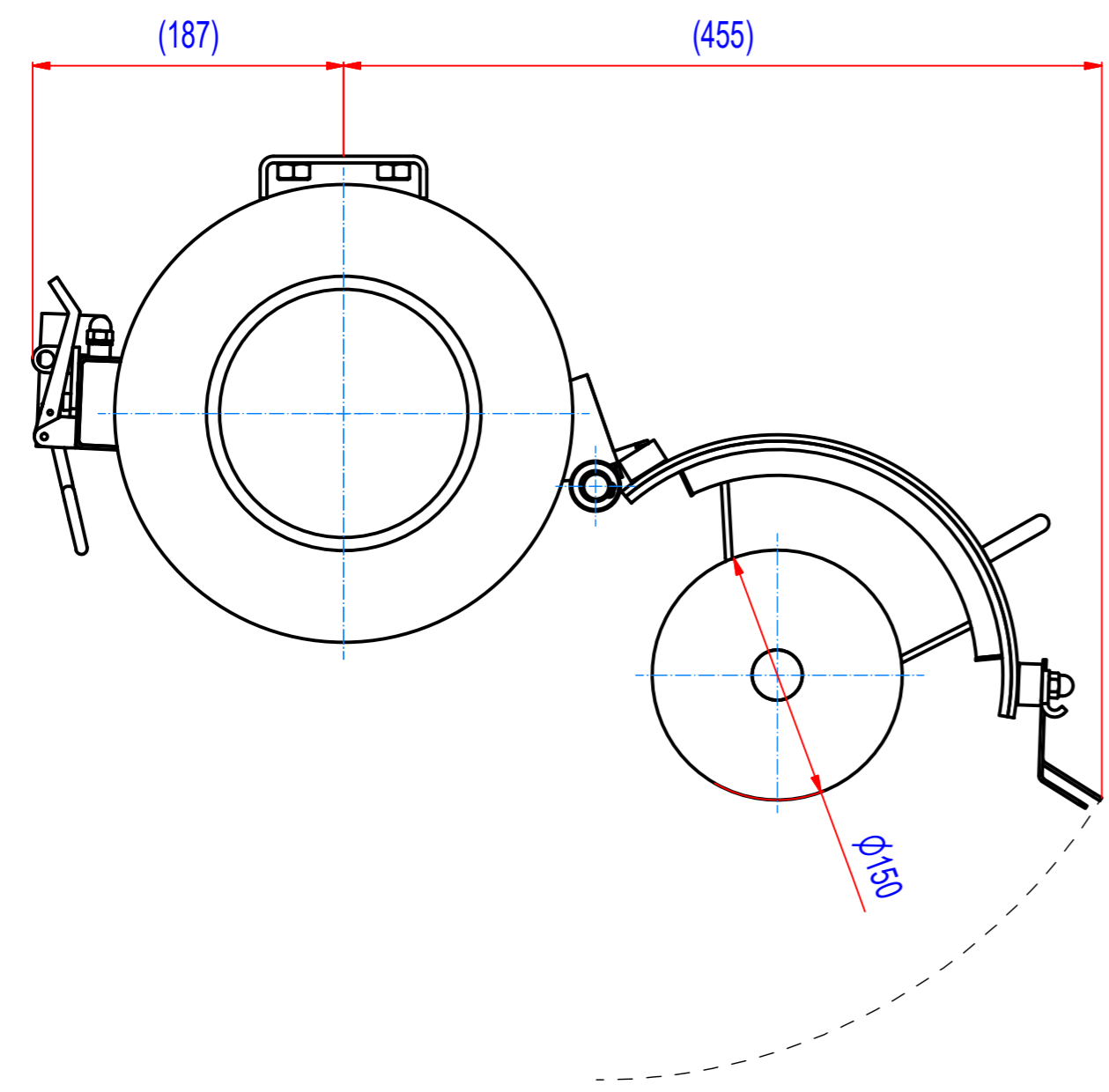


| REV | BY | DATE | DESCRIPTION |
|-----|----|------------|---------------------------------------|
| - | PW | 05.12.2017 | New Vault, nothing changed, old rev.B |



A(1:4)



| POZ./POS. | Č. SOUČÁSTI/ PART NUMBER | POPIS / DESCRIPTION | HMOT./ WEIGHT |
|---|--------------------------|--|---|
| 1 | A327_000000 | SPPE010161 | 36,9 |
| Sheet: A2 Drawn: PW Date: 05.12.2017 Predecessor: | | Extra info: GOUDSMIT MAGNETIC SYSTEMS <small>© All rights reserved. Reproduction is not permitted without written permission of GOUDSMIT Magnetic Systems BV</small> | General tolerance: ISO 2768 - cL Drawn according: ISO268; ISO1101; ISO2553 Status: Customer reference number: Product key: SPP-1-TC-FJ-S4-B-BB Part number: SPPE010161 Rev: - |
| Quick search: XSPP PM1 Description: Pipe magnet, Ferrite, PM1, type E, Jacob | | | |