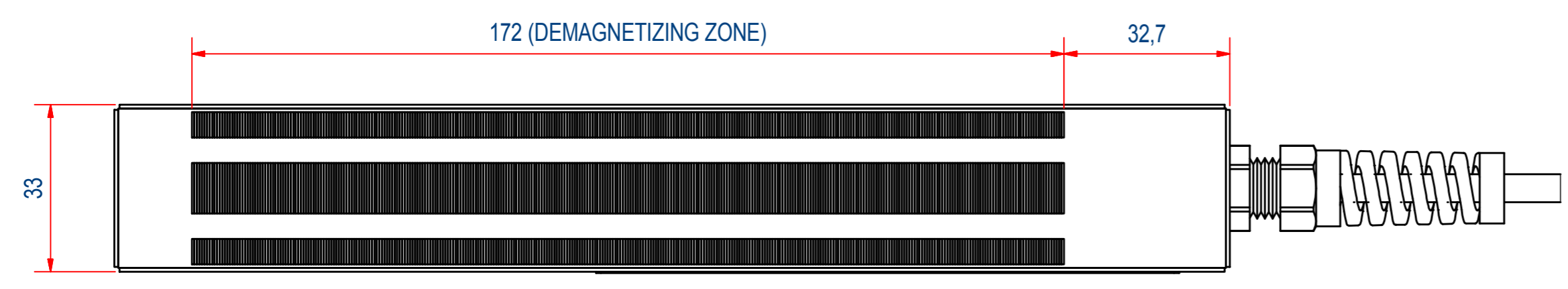
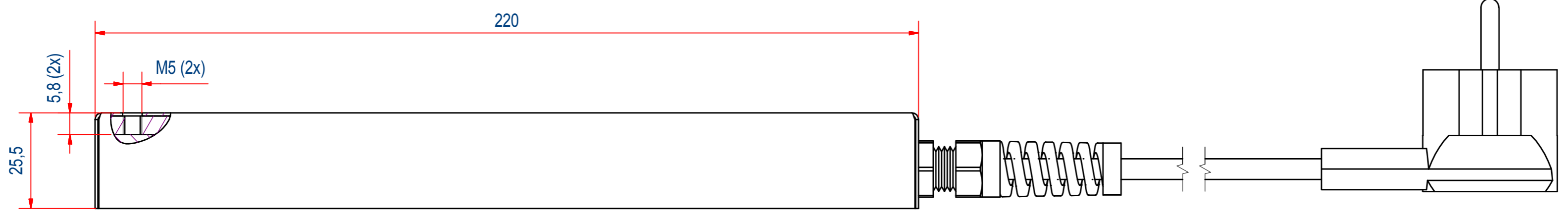
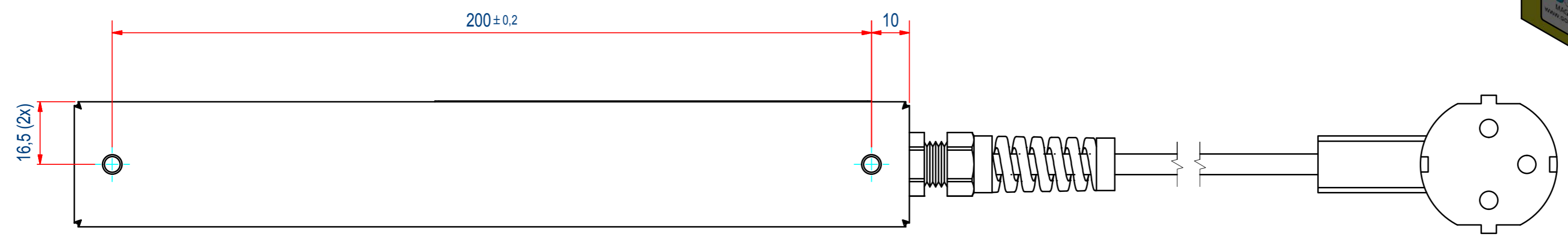
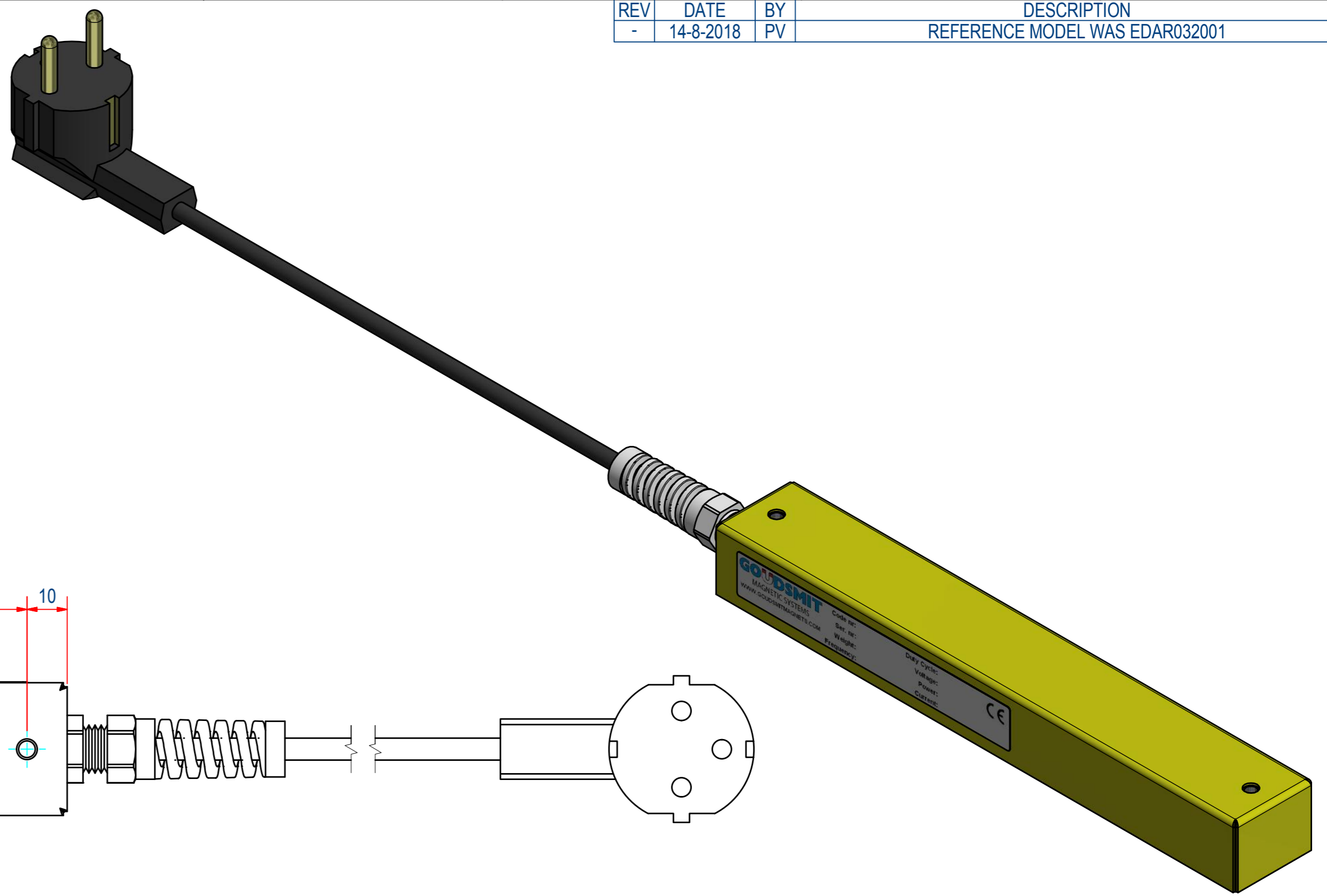


REV	DATE	BY	DESCRIPTION
-	14-8-2018	PV	REFERENCE MODEL WAS EDAR032001



ITEM	QTY	PART NUMBER	DESCRIPTION	Dimensions
3	1	M65988	STICKER DEMAGNETIZER	
2	1	1216.00102	SUITCASE + INTERIOR SPI JUMP	
1	1	E0099995	DEMAGNETIZER ROD ASSY DRAW.	

RAW MAT.	Quantity	Material Number	Material Description	Length (mm)	Width (mm)
	1				

Sheet:	A2	Extra info:	DEMAC ROD Duty Cycle: 30%, max. 10 min.	General tolerance:	ISO 2768 - mK
Drawn:	PV	Weight (kg):	1,3	Drawn according:	ISO268; ISO1101; ISO2553
Date:	13-8-2018			Status:	Standard
Spare part:	False			Customer reference number:	
Quick search:	EHK0220			Document number:	E0099990
Description:	HDHH-B-33x220			Part number:	EDAR032002