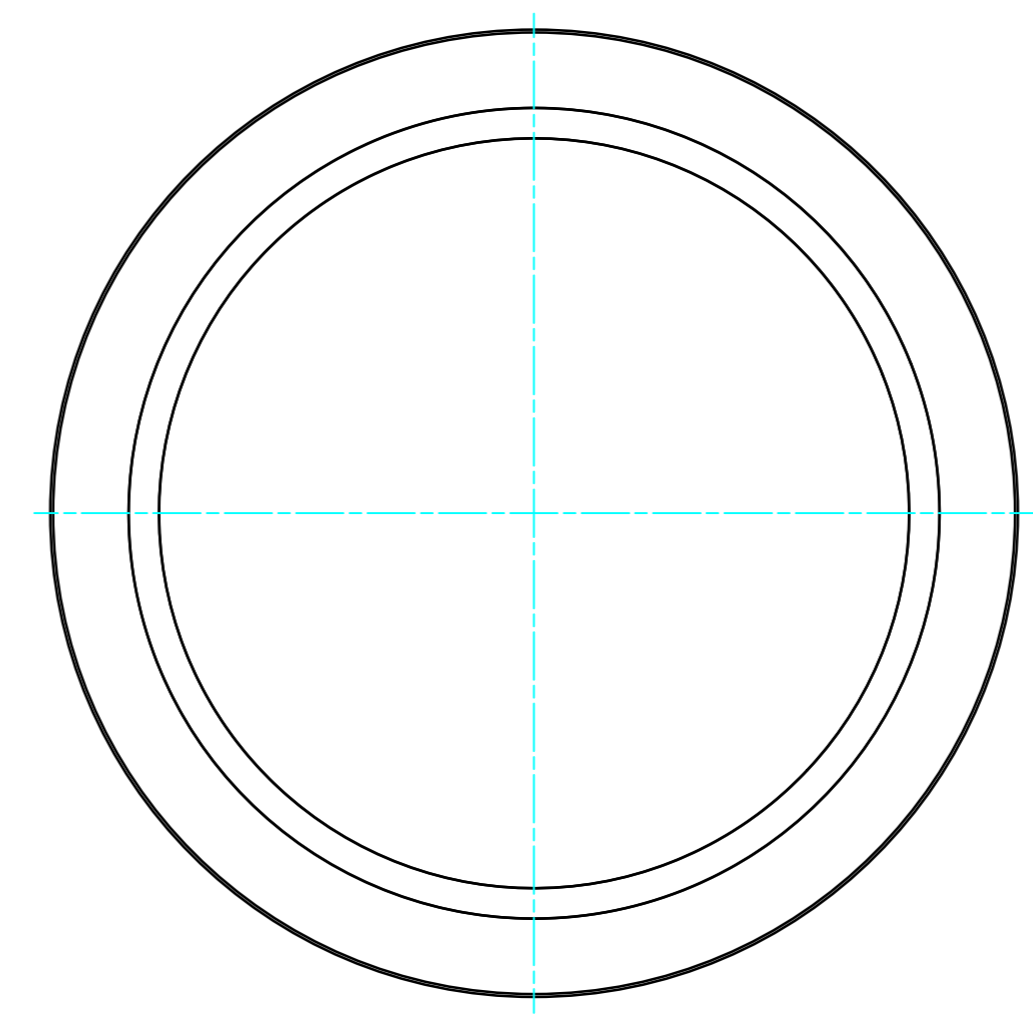
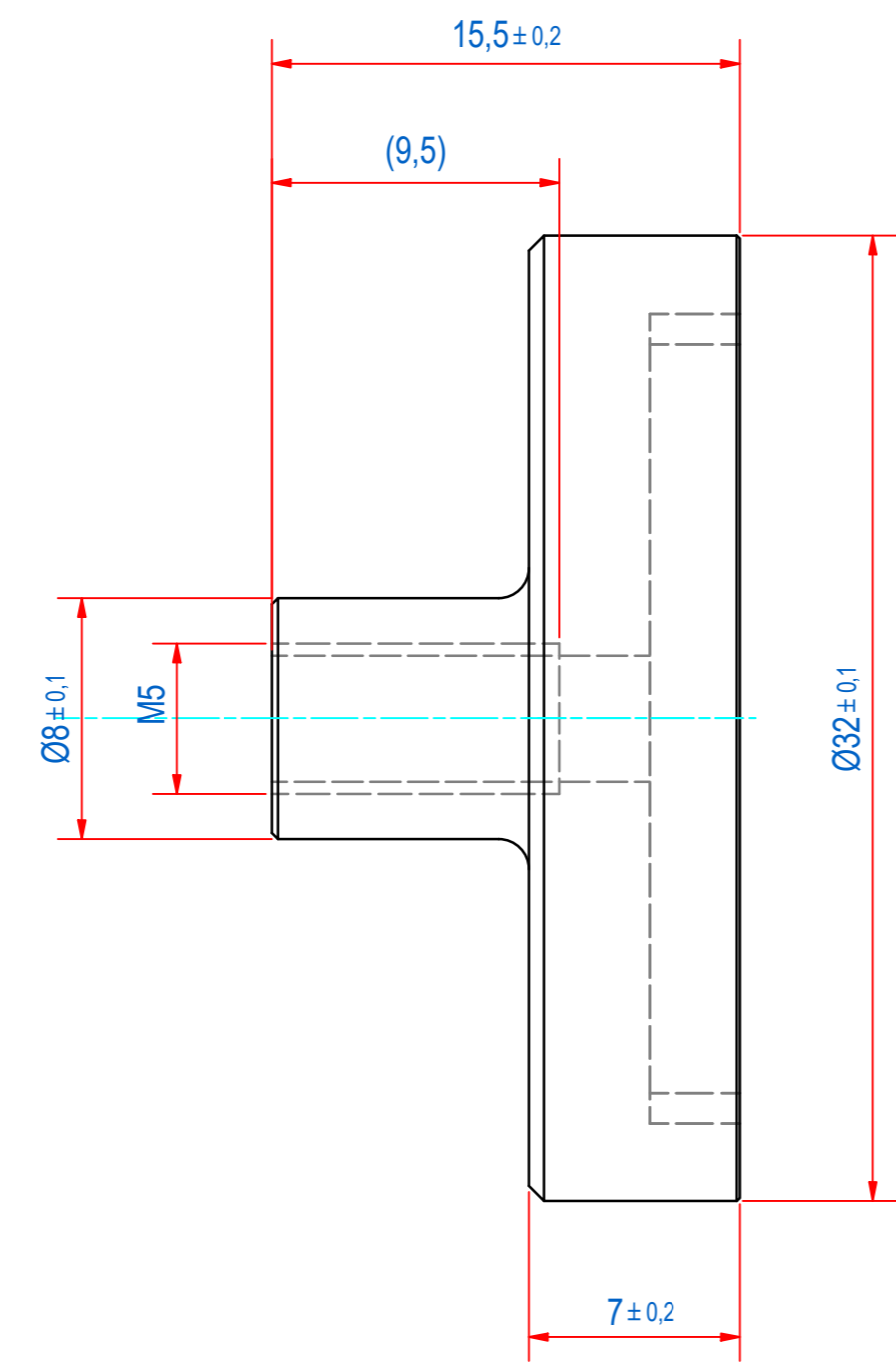
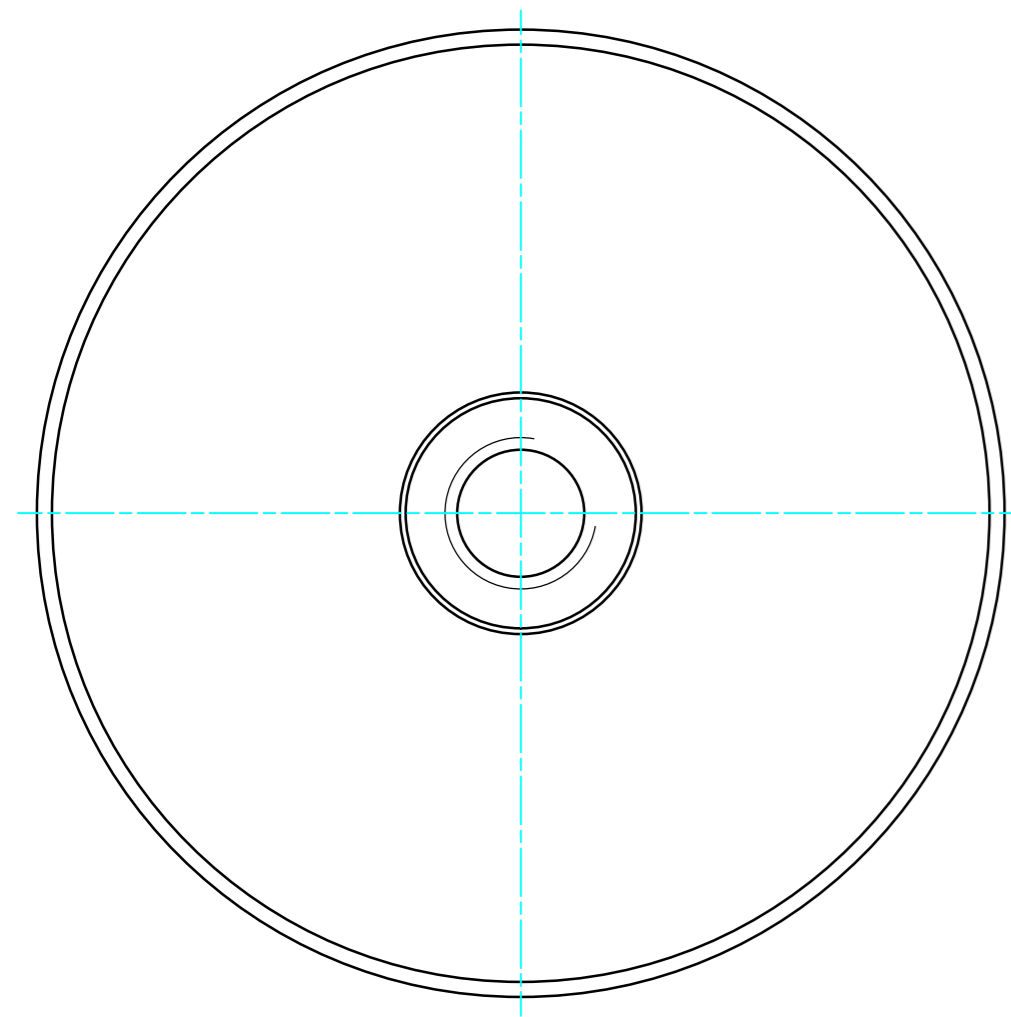
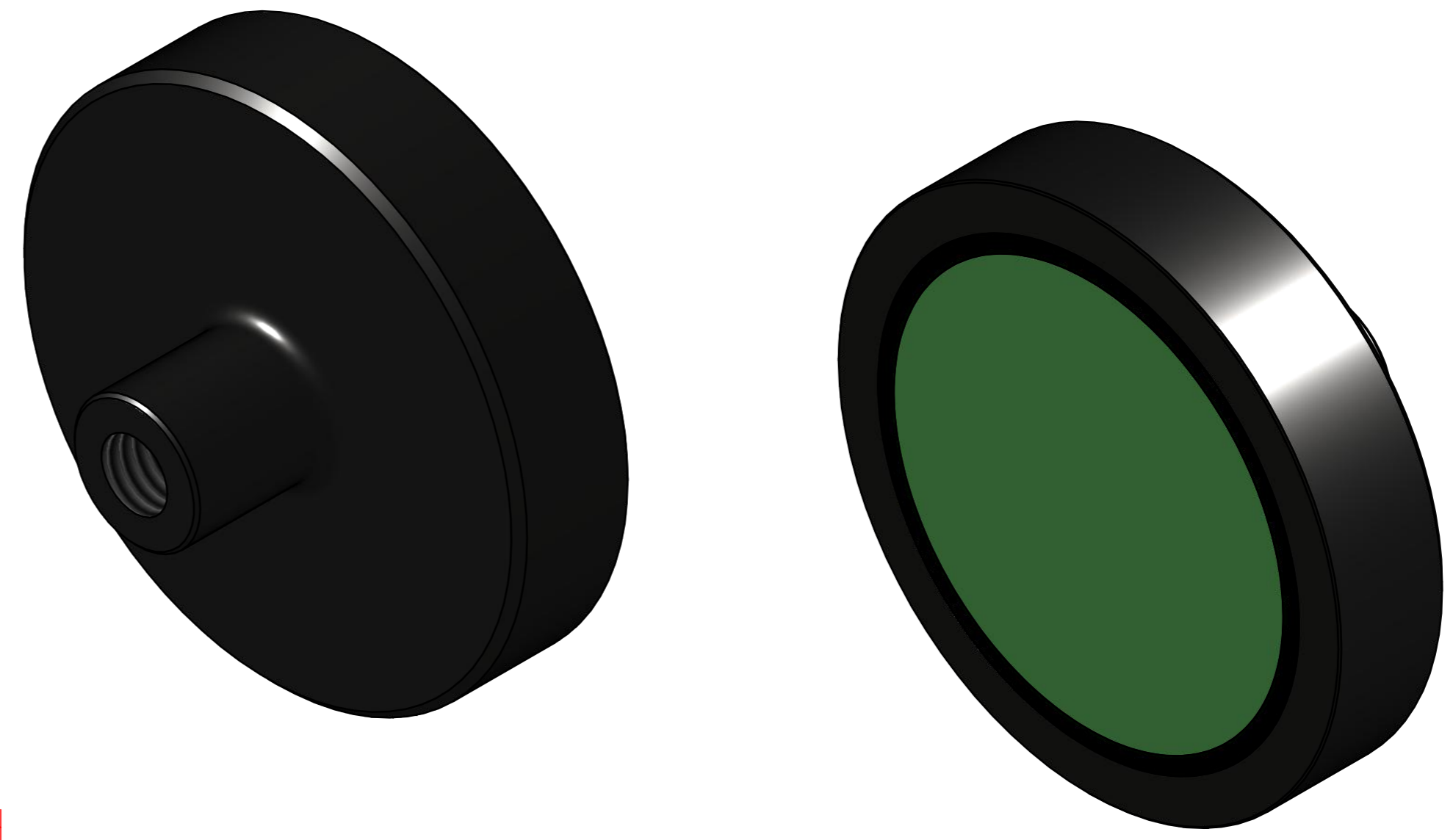


DOC.NR.	REV	DATE	BY	DESCRIPTION
E0118896	-	2-10-2019	PV	ORIGINAL DRAWING



SURFACE TREATMENT: ZINC PLATED

RAW MAT.	1	Quantity	Material Number	Material Description	Length (mm)	Width (mm)
Sheet:	A2	Extra info:	POTMAGNET NEODYMIUM			
Drawn:	PV	Weight (kg):	0,044			
Date:	17-7-2019	General tolerance:		ISO 2768 - mK		
Spare part:	False	Drawn according:		ISO 268; ISO 1101; ISO 2553		
Quick search:	POTGM	Status:		Released		
Description:	PM-TB-N-SG-D32x7x15.5xM5			Customer reference number:	-	
© All rights reserved. Reproduction is not permitted without written permission of GOUDSMIT Magnetic Systems BV				Document number:	E0118896	
				Part number:	GM17607	
				Doc.Rev:	-	
				Rev:	-	