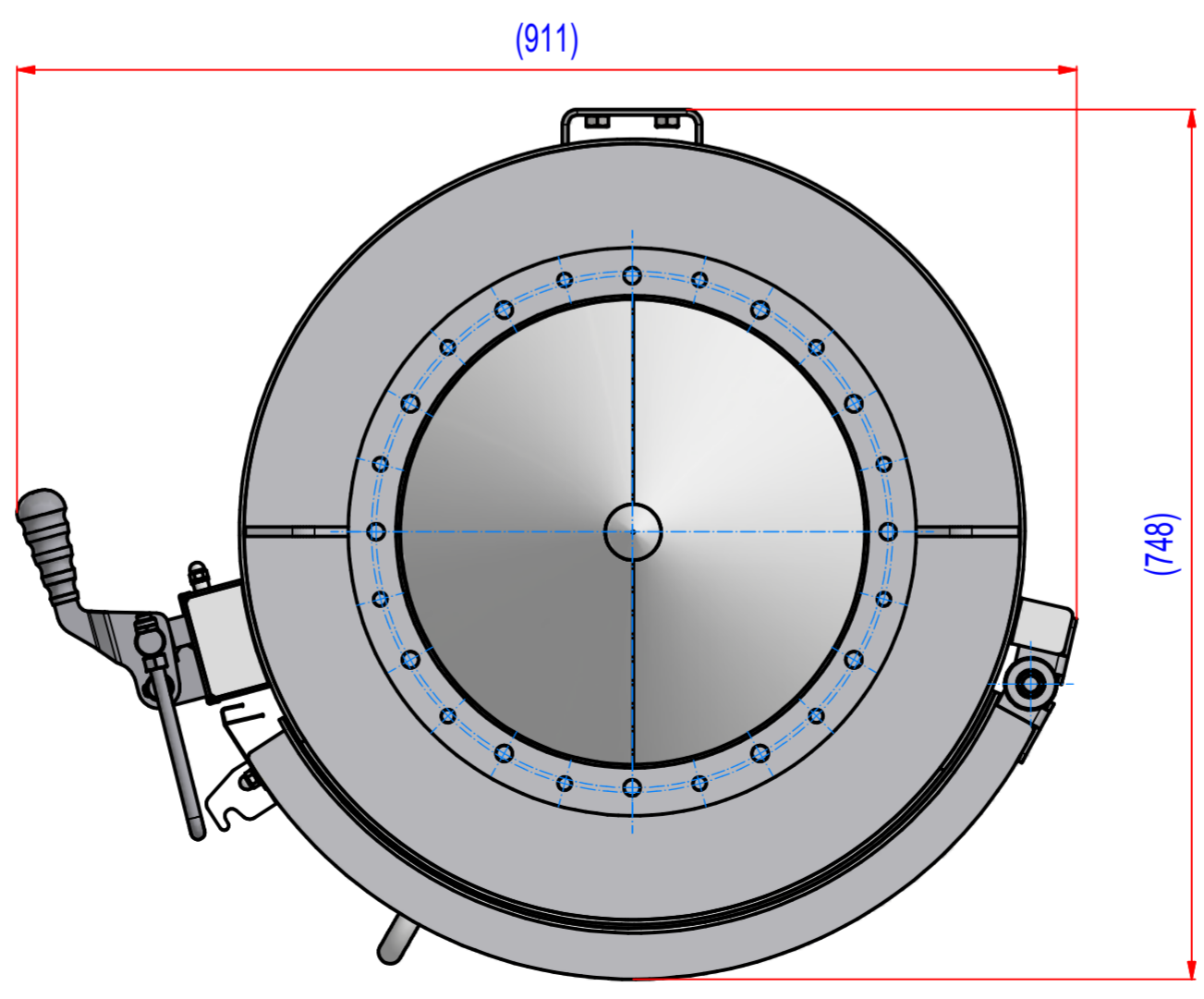
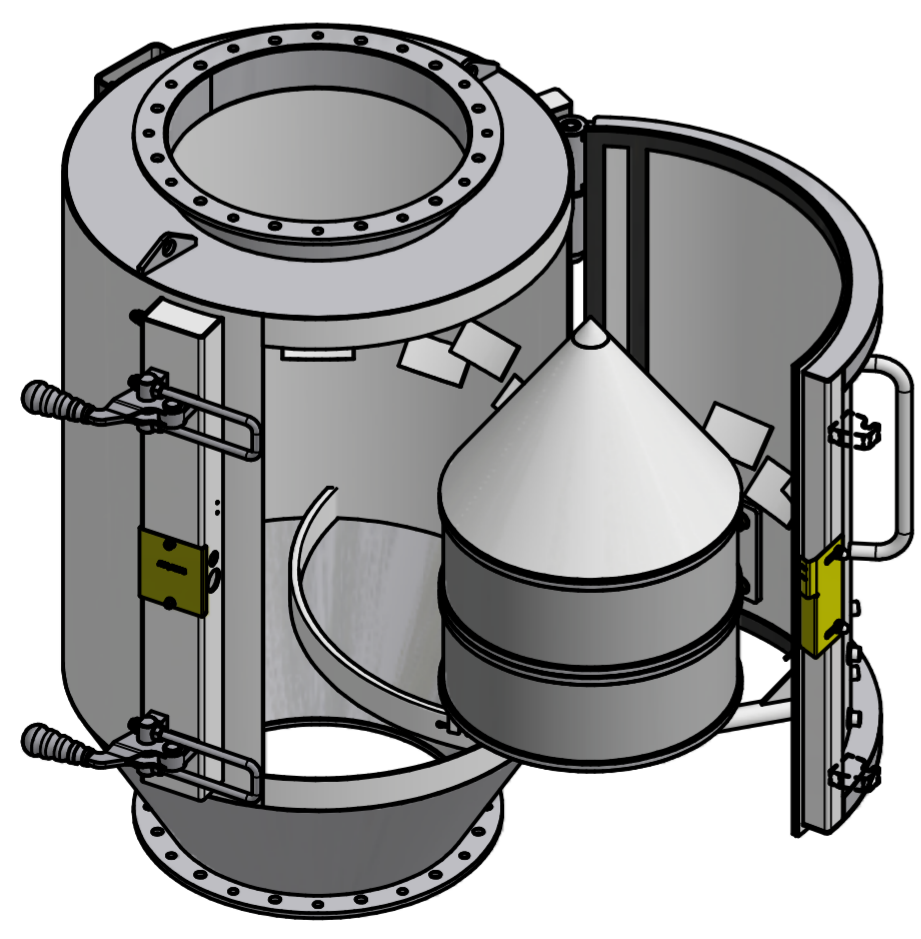
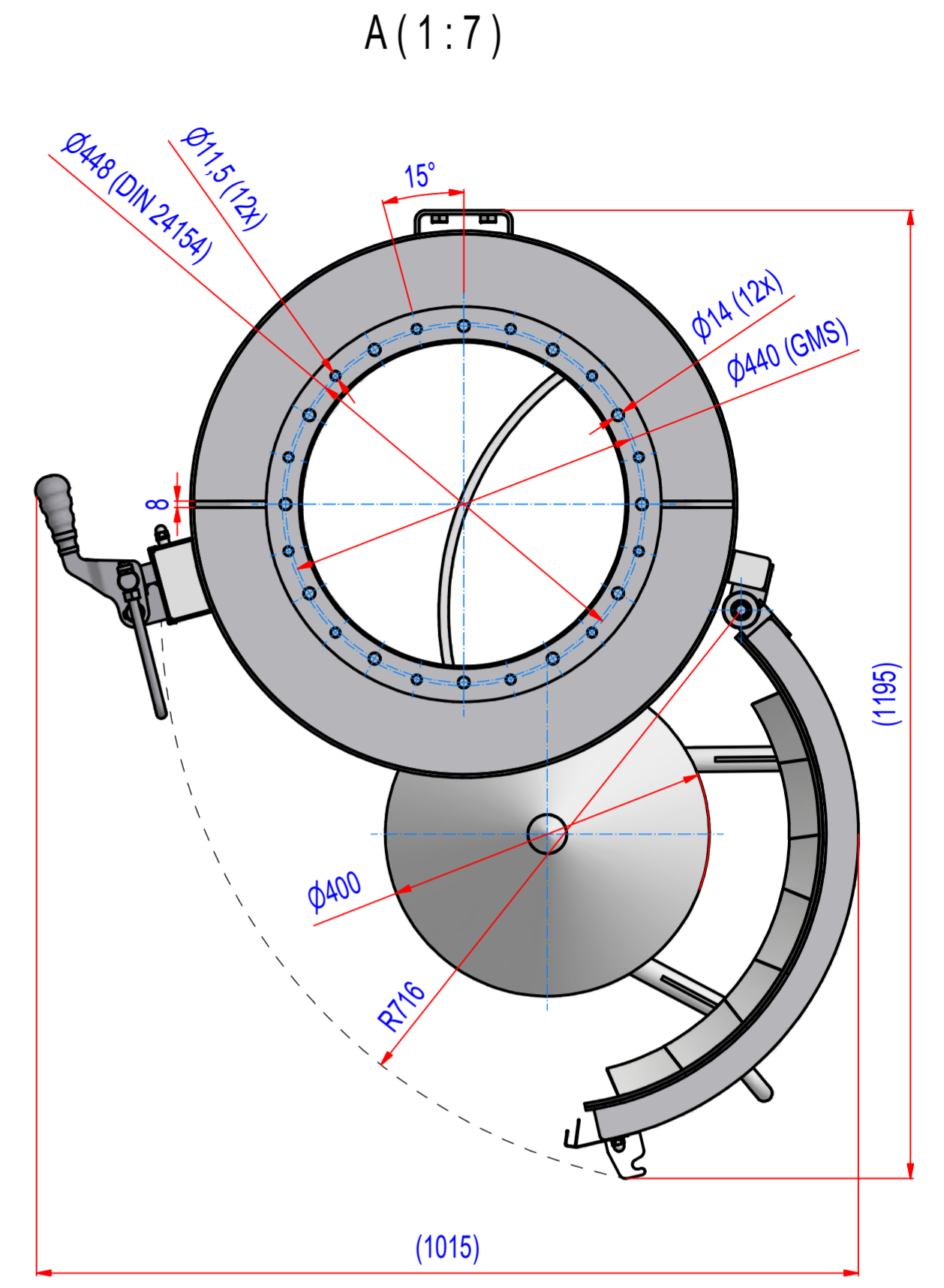
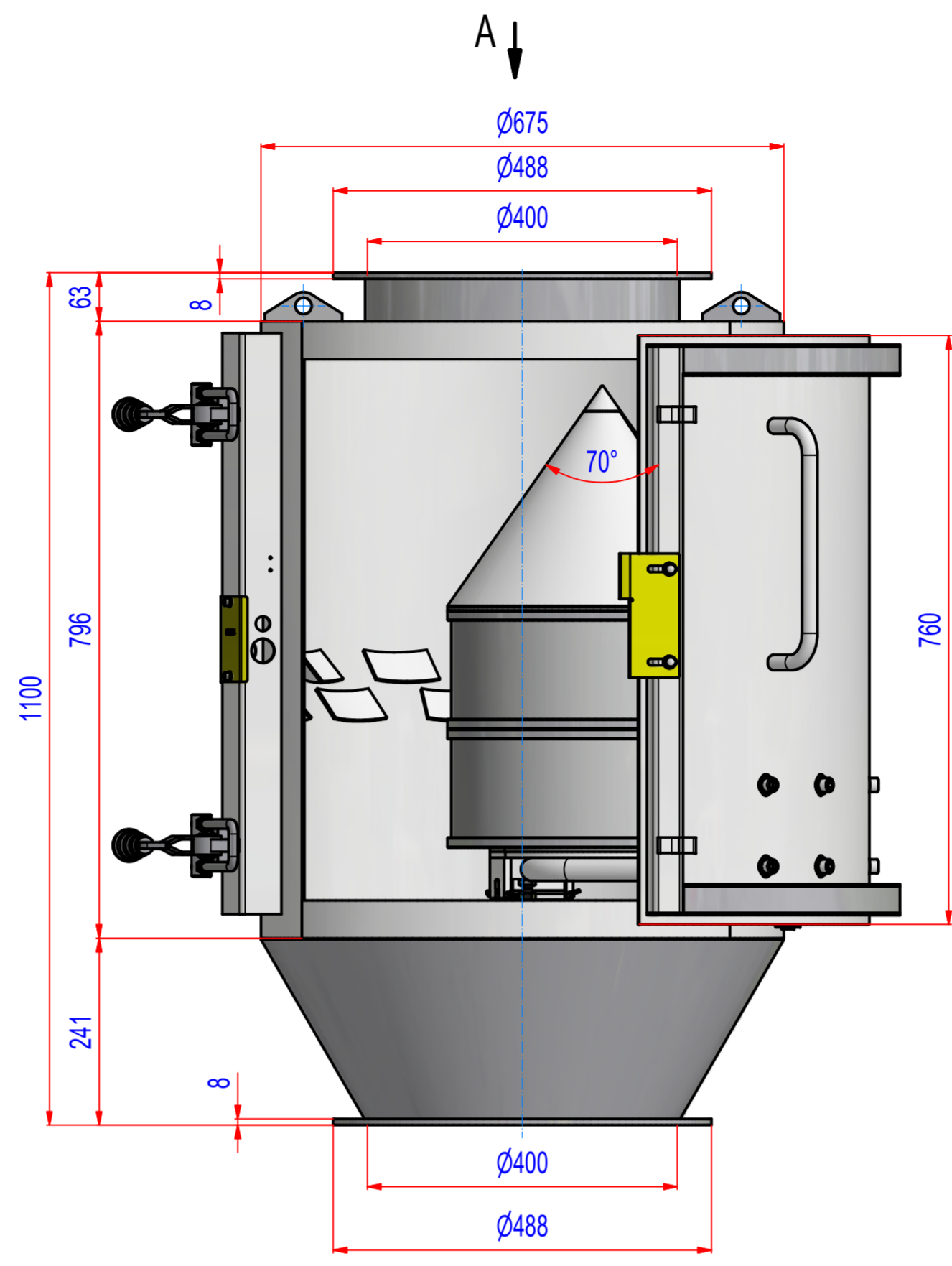
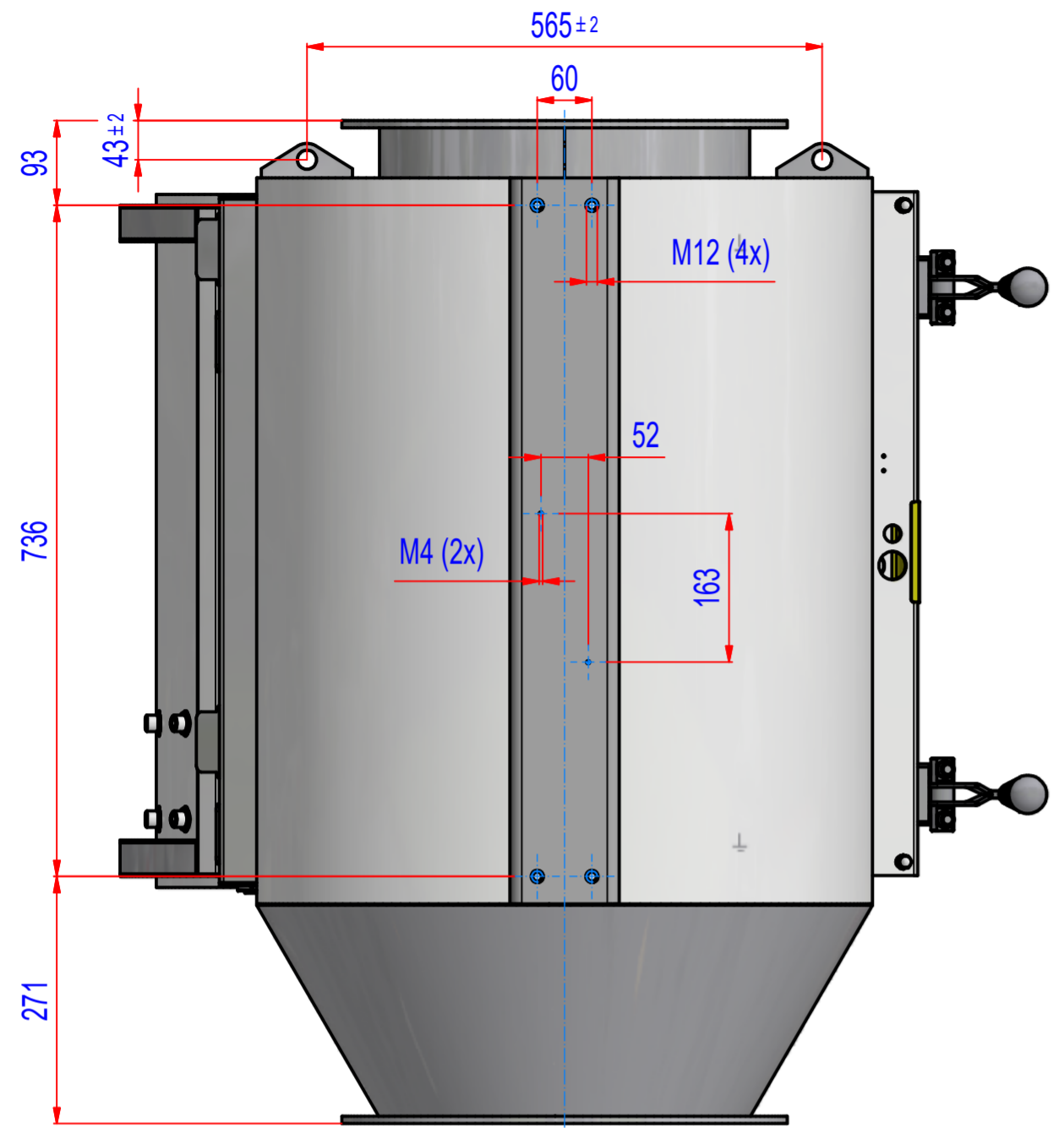


REV	BY	DATE	DESCRIPTION
-	PW	24.03.2017	New Vault, nothing changed, old rev.G



POZ./POS.	Č. SOUČÁSTI/ PART NUMBER	POPIS / DESCRIPTION	HMOT./ WEIGHT
1	A028_000000	SPPE00000065	321,1
Sheet: A2		Extra info:	General tolerance: ISO 2768 - cL
Drawn: PW	Weight (kg): 321,1	<p>© All rights reserved. Reproduction is not permitted without written permission of GOUDSMIT Magnetic Systems BV</p>	Drawn according: ISO268; ISO1101; ISO2553
Date: 24.03.2017	Predecessor:		Status:
Quick search: XSPP 5		<p>Product key: SPP-5-FI-FO-ST-B-BB</p> <p>Part number: SPPE000065</p>	Customer reference number:
Description: Pipe magnet, Ferrite, PM5, type E			Rev: -