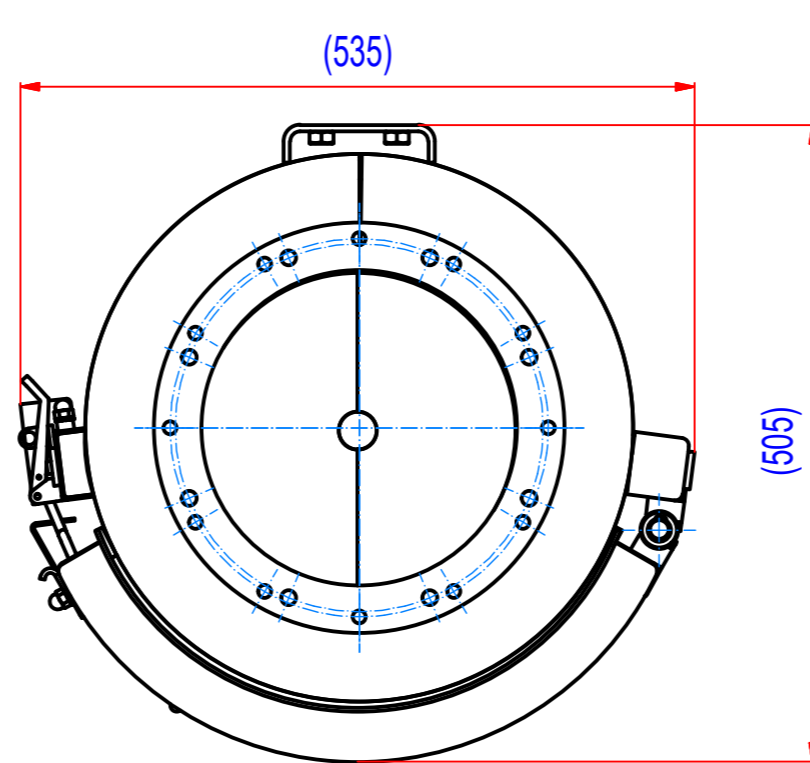
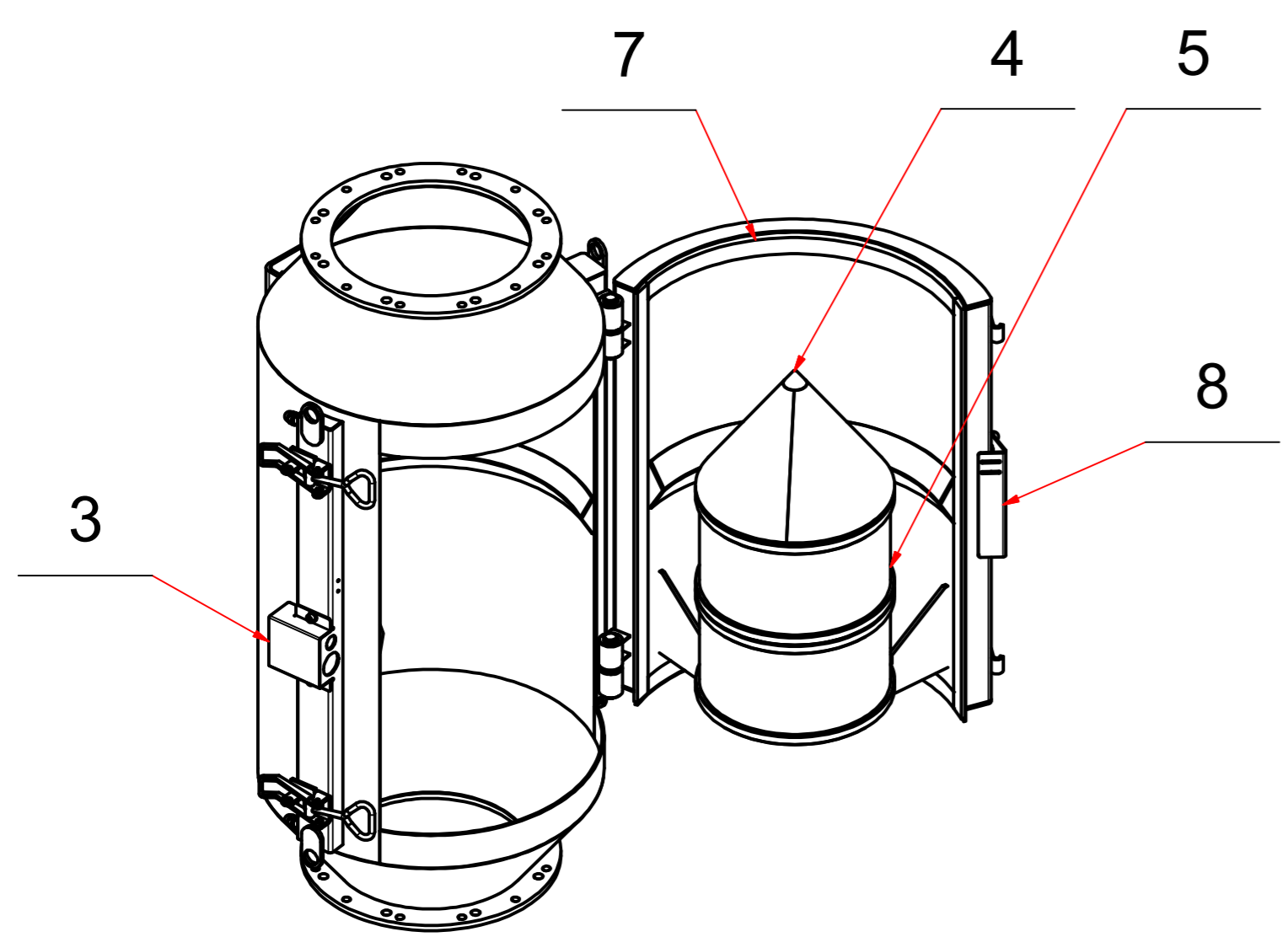
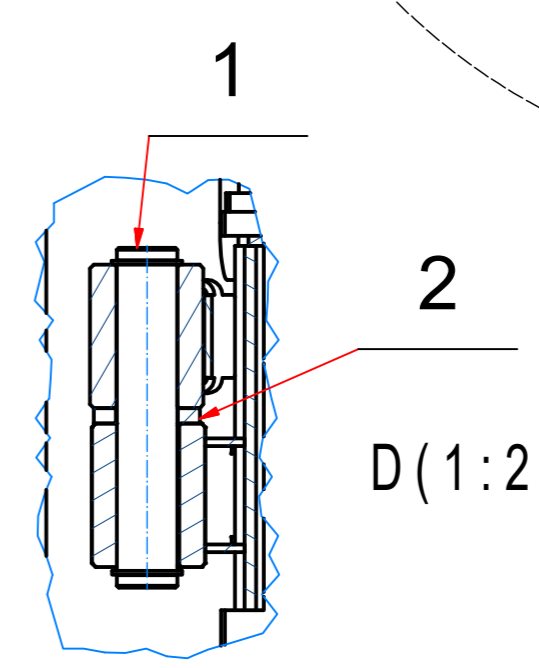
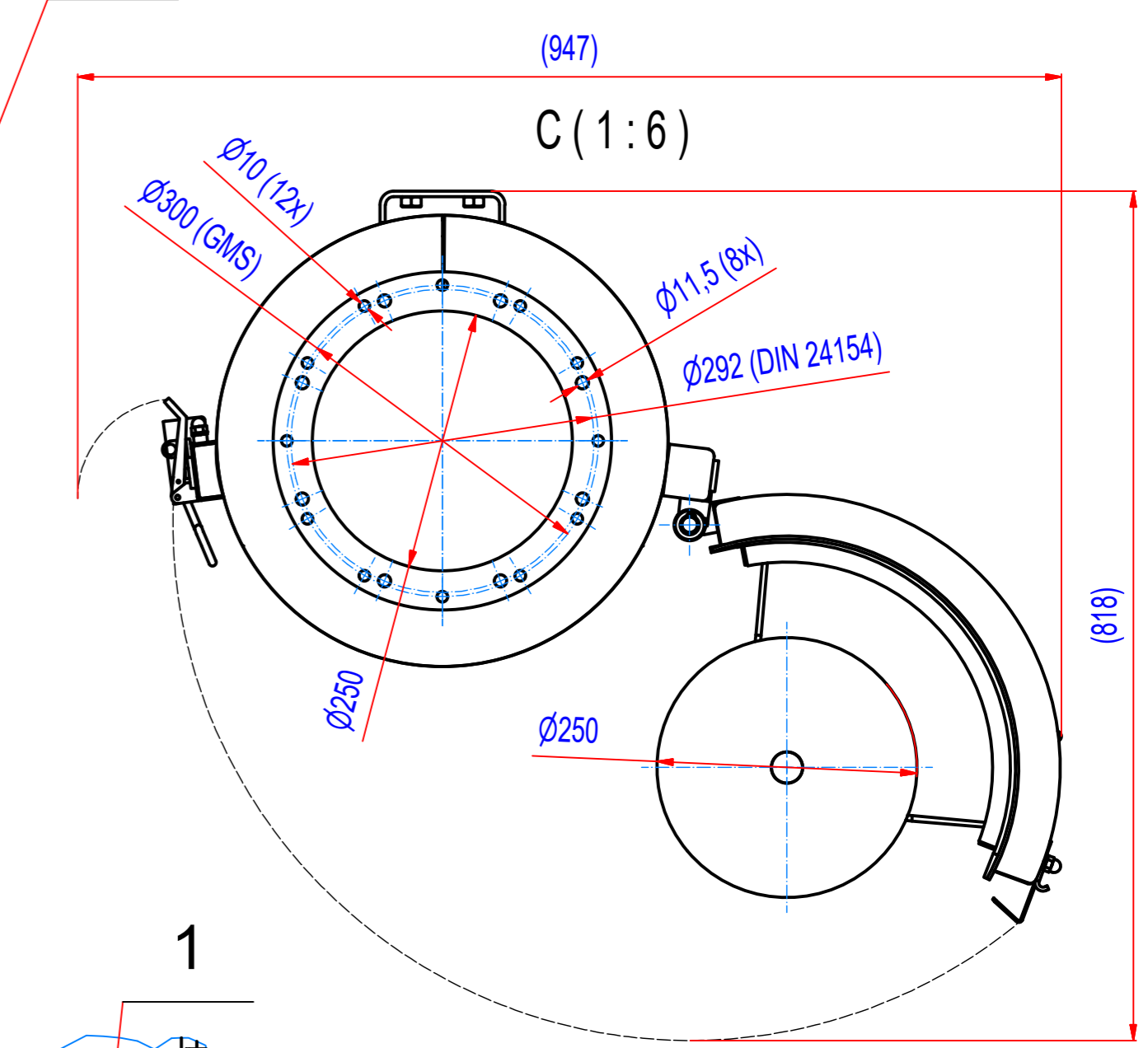
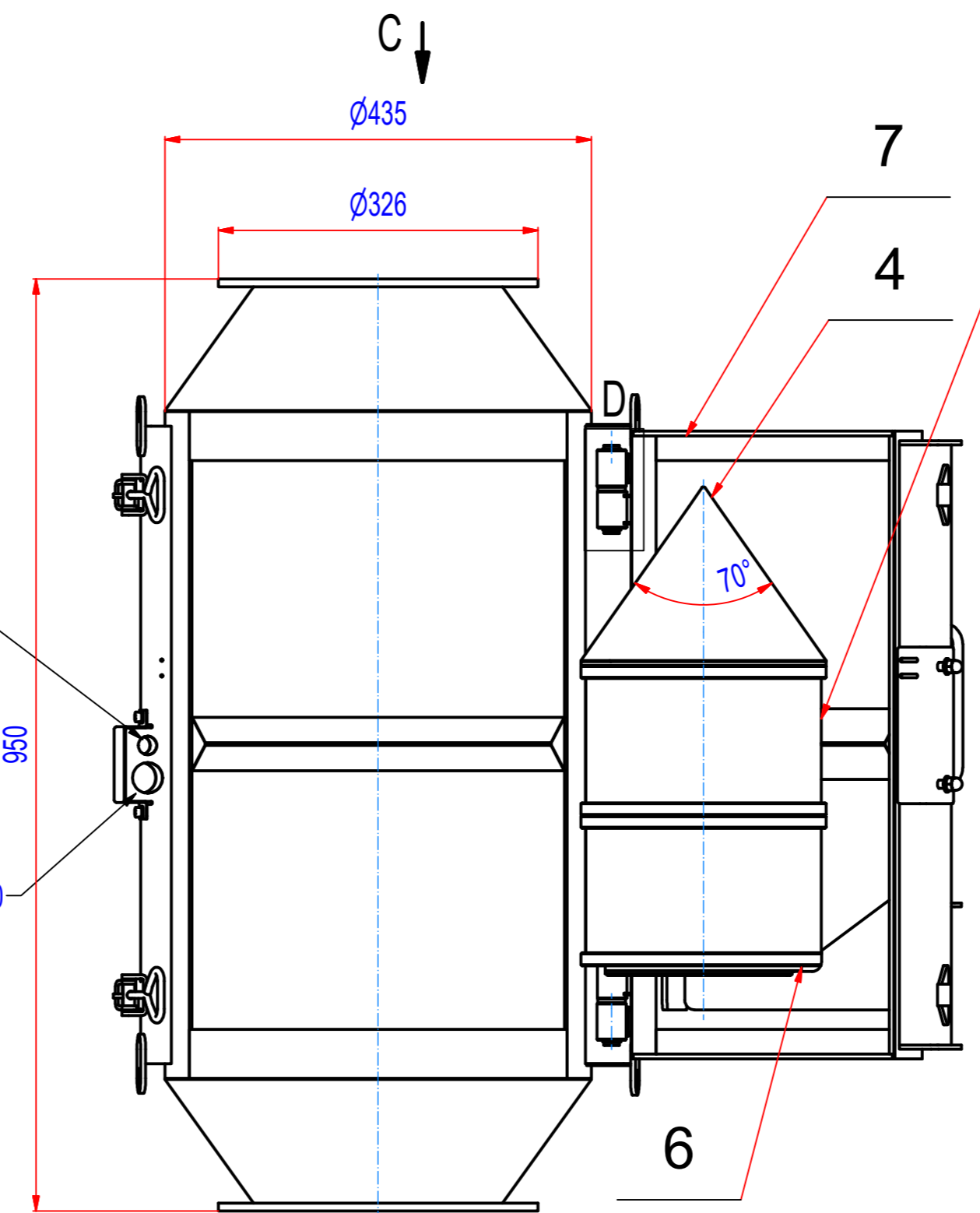
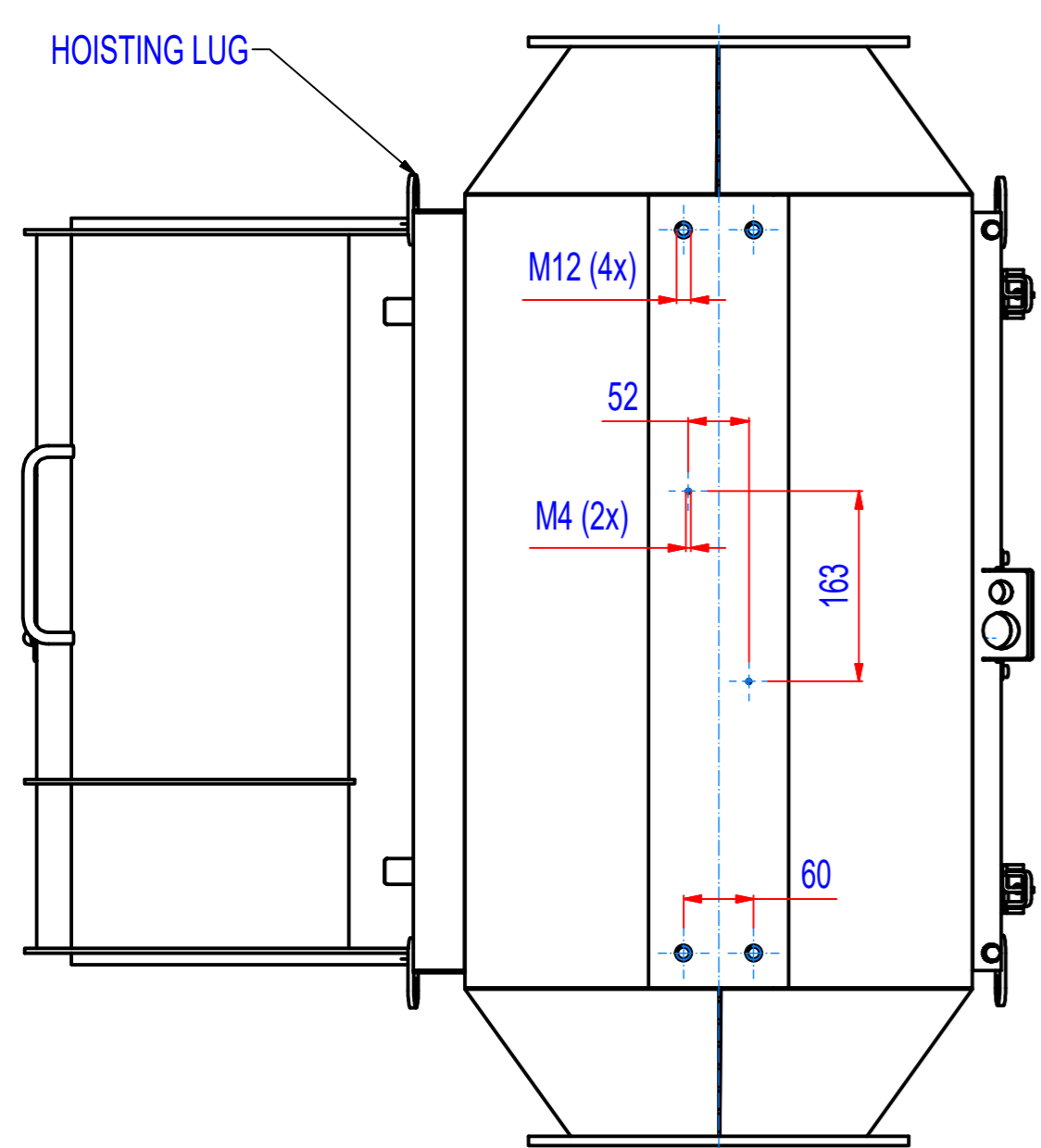


| REV | BY | DATE | DESCRIPTION |
|-----|----|------------|---------------------------------------|
| - | PW | 16.02.2018 | New Vault, nothing changed, old rev.C |



| POZ. | Č. SOUČÁSTI | POPIS | MATERIÁL | HMOT. | MN. |
|------|-------------|-------------------------|----------------|-------|-----|
| 8 | G32_000004 | Sensor plate | S235JR (11373) | 0,3 | 1 |
| 7 | A031_000001 | Band PM3 25x5, L=2230mm | Silikon | 0,3 | 1 |
| 6 | A031_000002 | Slide pad for PM3 | | 0 | 1 |
| 5 | 389_030004 | Magnet core PM3 | | 64 | 1 |
| 4 | G32_030102 | Cone for PM3, 70dgr | AISI304 | 0,1 | 1 |
| 3 | G32_010302 | Cover for sensor | AISI304 | 0,1 | 1 |
| 2 | G80_010007 | Washer wear PM1 | POLYAMID PA6 | 0 | 2 |
| 1 | G80_010006 | Hinge pin PM1 | AISI304 | 0,1 | 2 |

| | | |
|----------------------|--|---|
| Sheet: A2 | Extra info: | General tolerance: ISO 2768 - cL |
| Drawn: PW | Weight (kg): 117,7 | Drawn according: ISO268; ISO1101; ISO2553 |
| Date: 16.02.2018 | <p>© All rights reserved. Reproduction is not permitted without written permission of GOUDSMIT Magnetic Systems BV</p> | Status: |
| Predecessor: | | Customer reference number: |
| Quick search: XSPP 3 | Spare parts for SPPE000063 | Product key: SPP-3-TC-FO-ST-B-BB |
| Description: | | Part number: SPPE000063_SP |