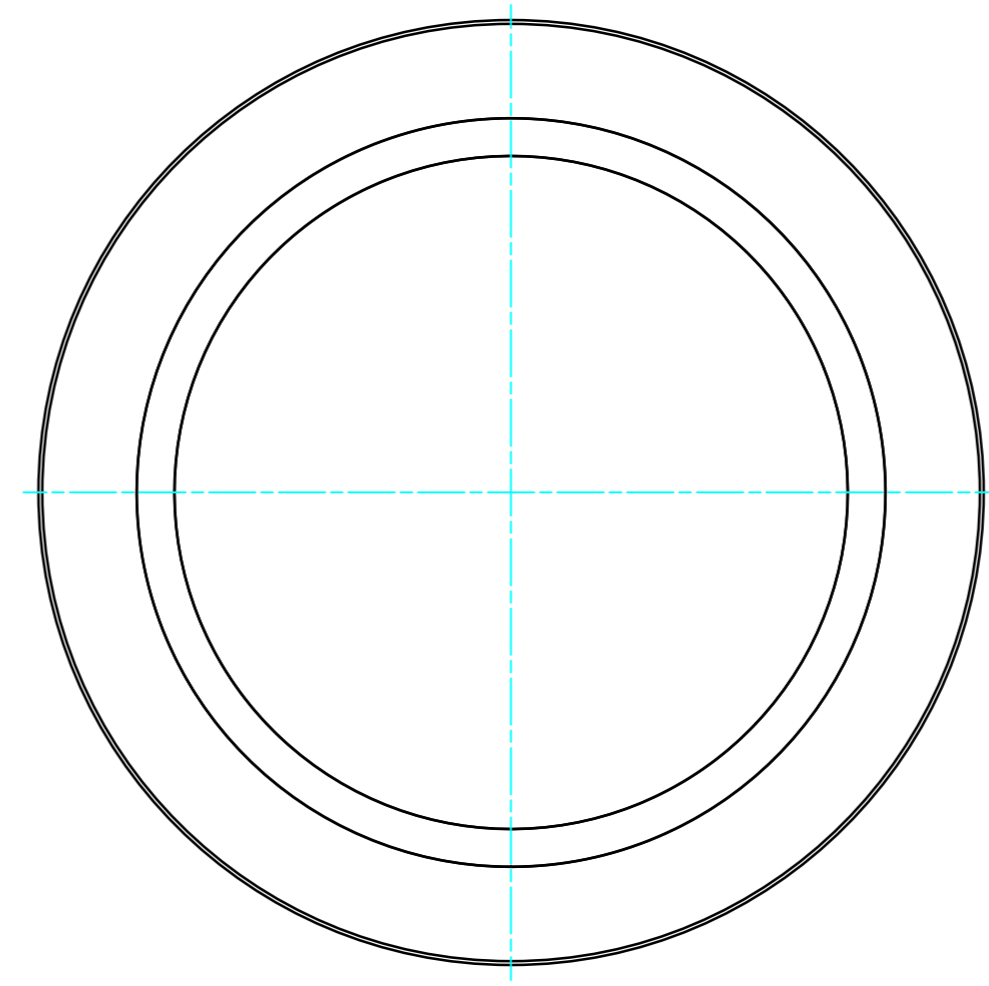
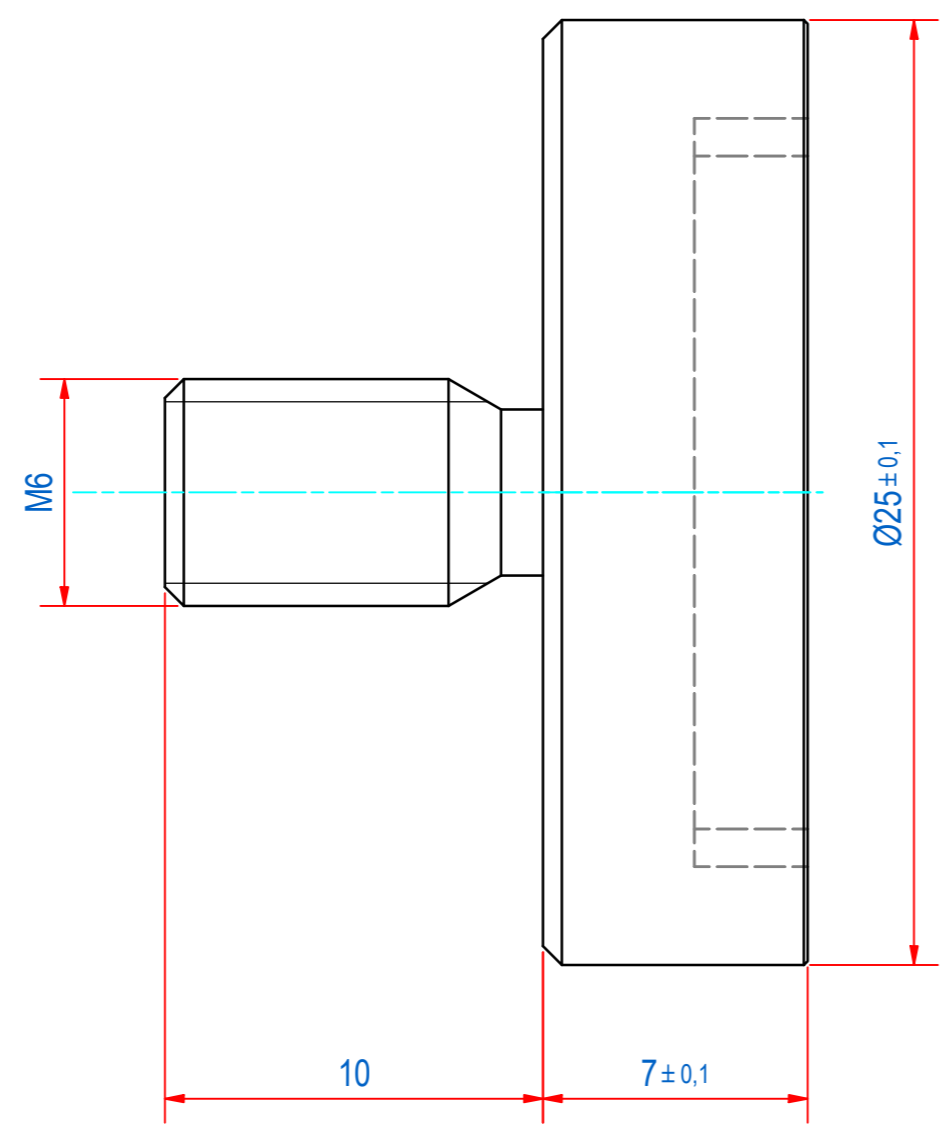
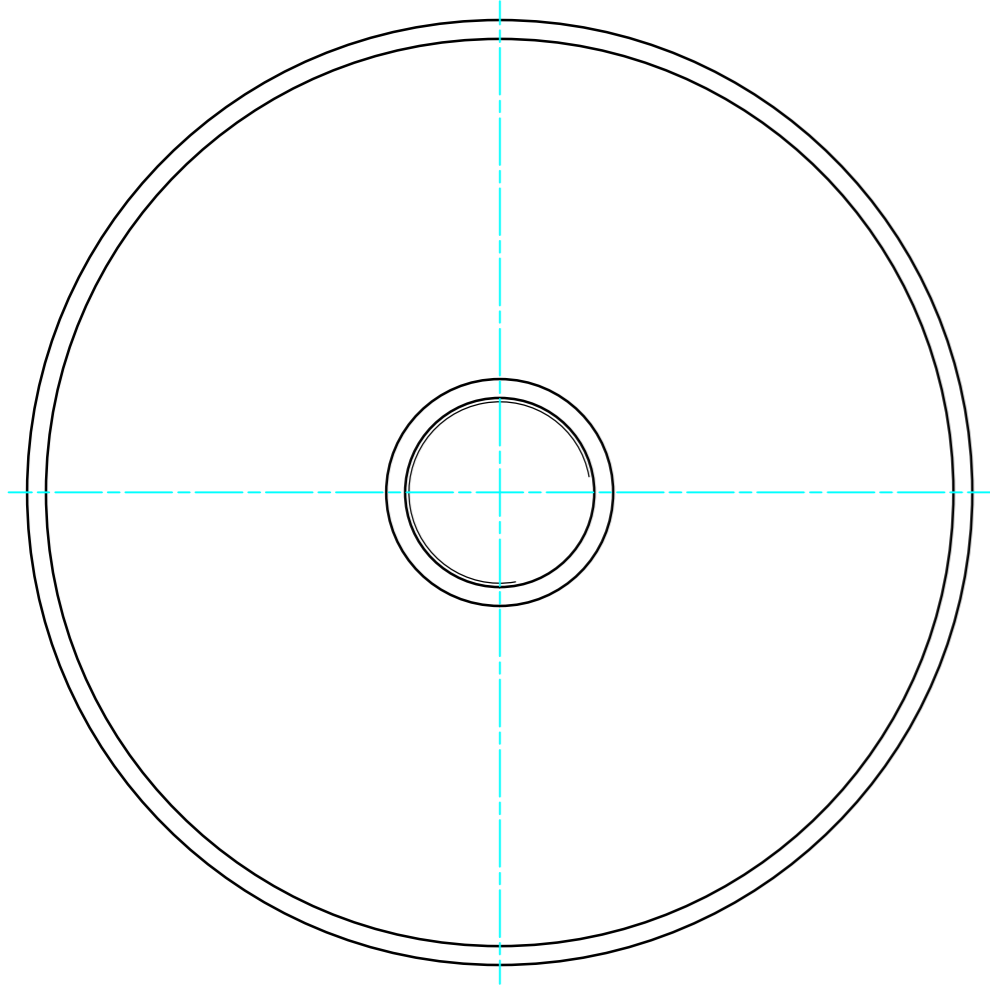
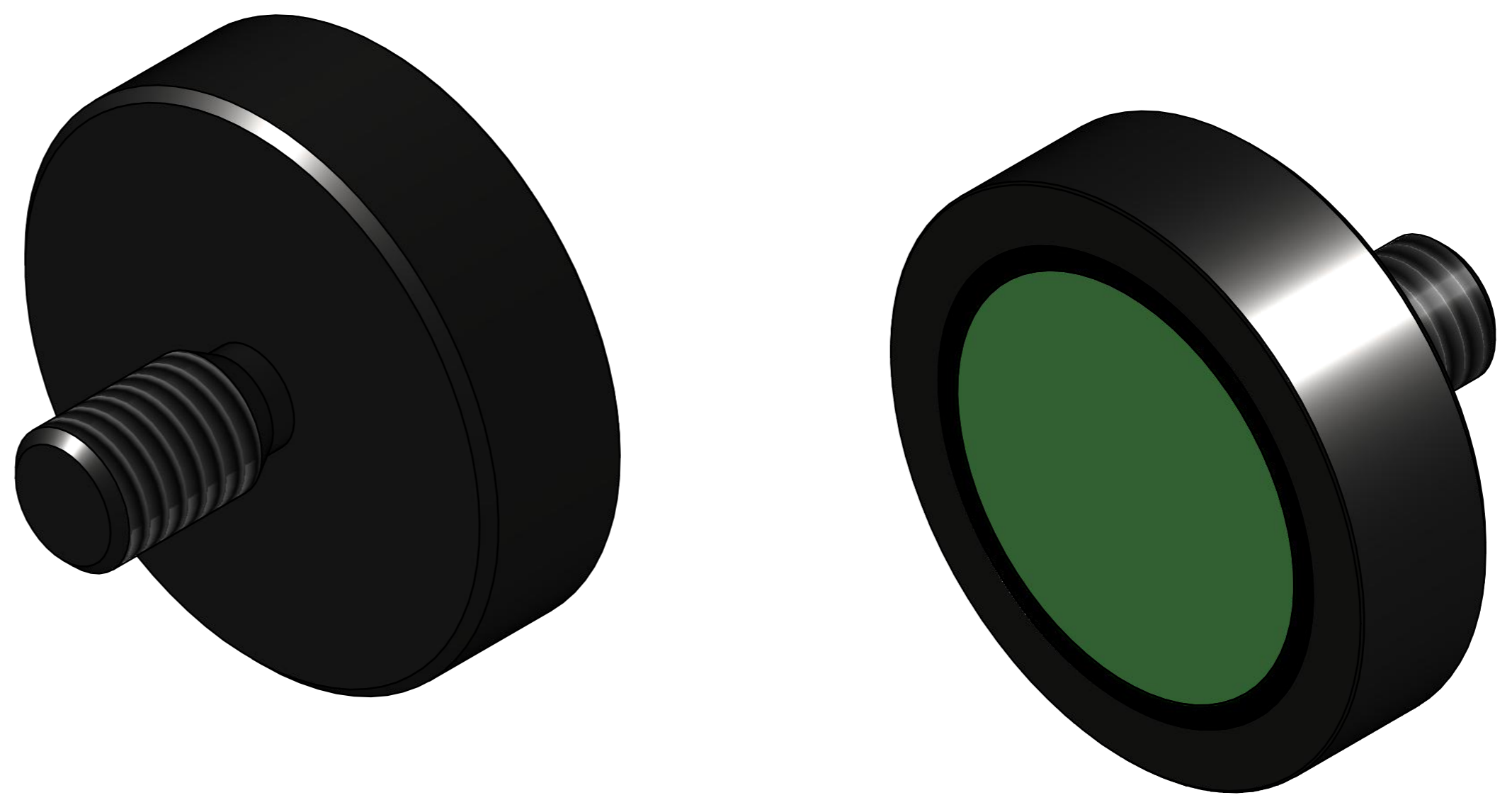


DOC.NR.	REV	DATE	BY	DESCRIPTION
E0119094	-	2-10-2019	PV	ORIGINAL DRAWING



SURFACE TREATMENT: ZINC PLATED

RAW MAT.	1	Quantity	Material Number	Material Description	Length (mm)	Width (mm)
Sheet:	A2	Extra info:	POTMAGNET NEODYMIUM			
Drawn:	PV	Weight (kg):	0,028			
Date:	17-7-2019	General tolerance:		ISO 2768 - mK		
Spare part:	False	Drawn according:		ISO 268; ISO 1101; ISO 2553		
Quick search:	POTGM	Status:		Released		
Description:		Customer reference number:		Document number: E0119094		
PM-TE-N-SG-D25x7xM6x10		Part number:		GM17626		
		Rev:		-		