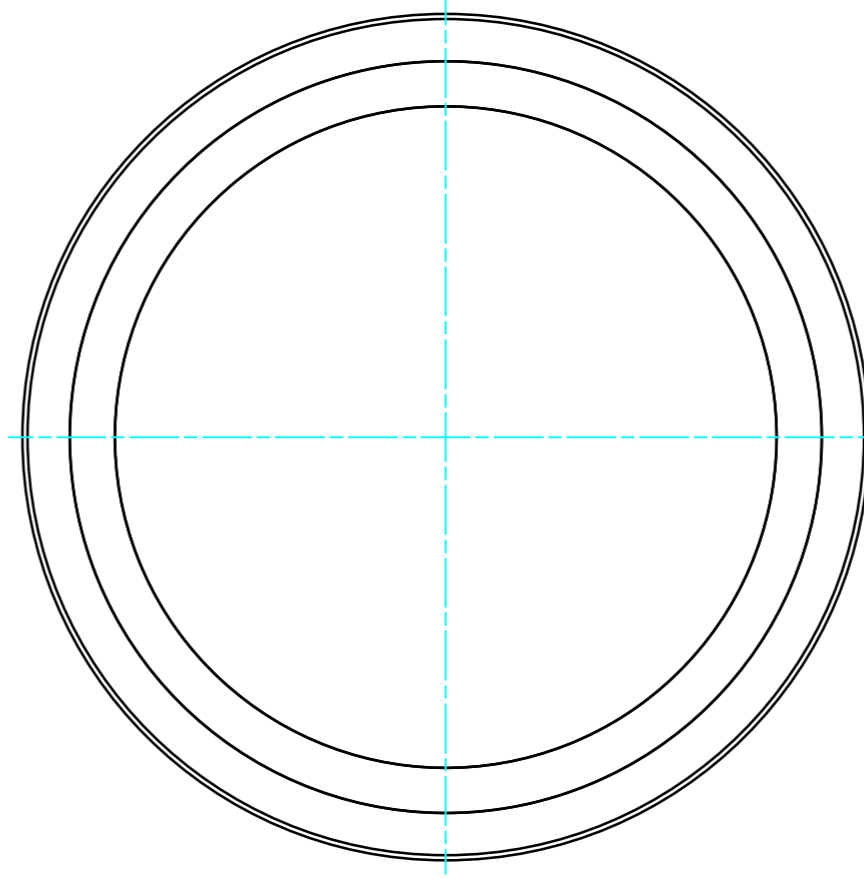
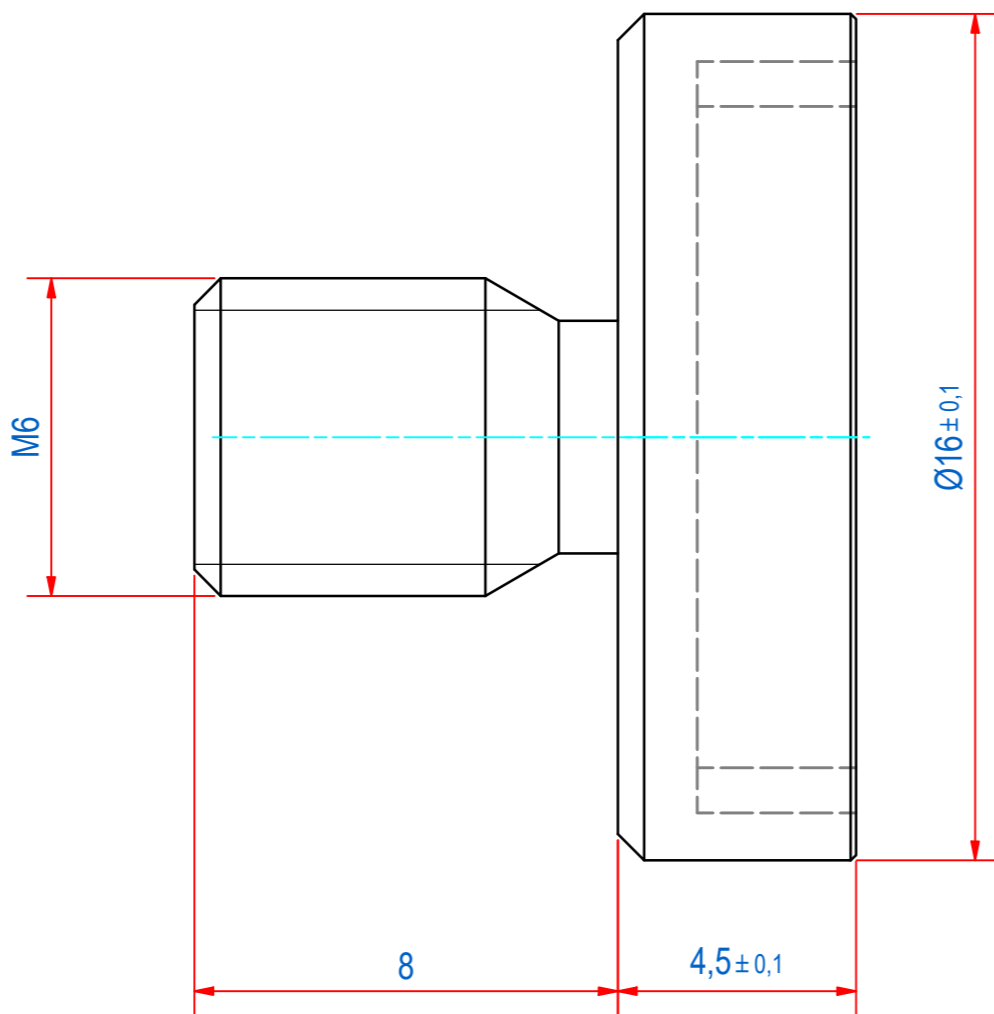
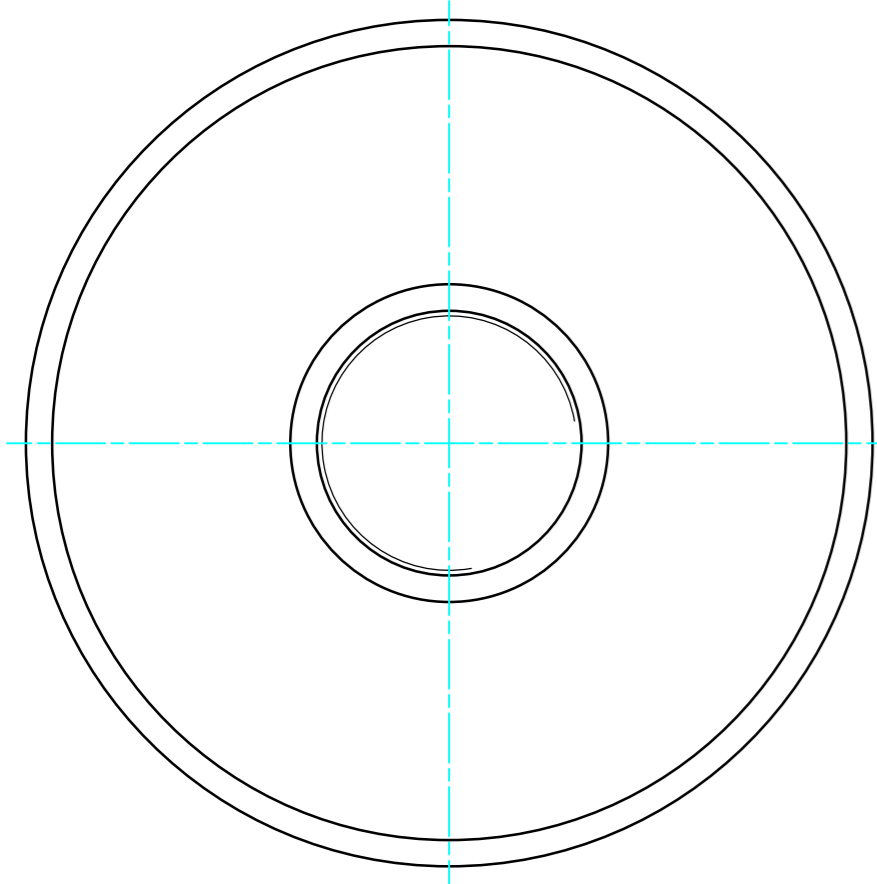
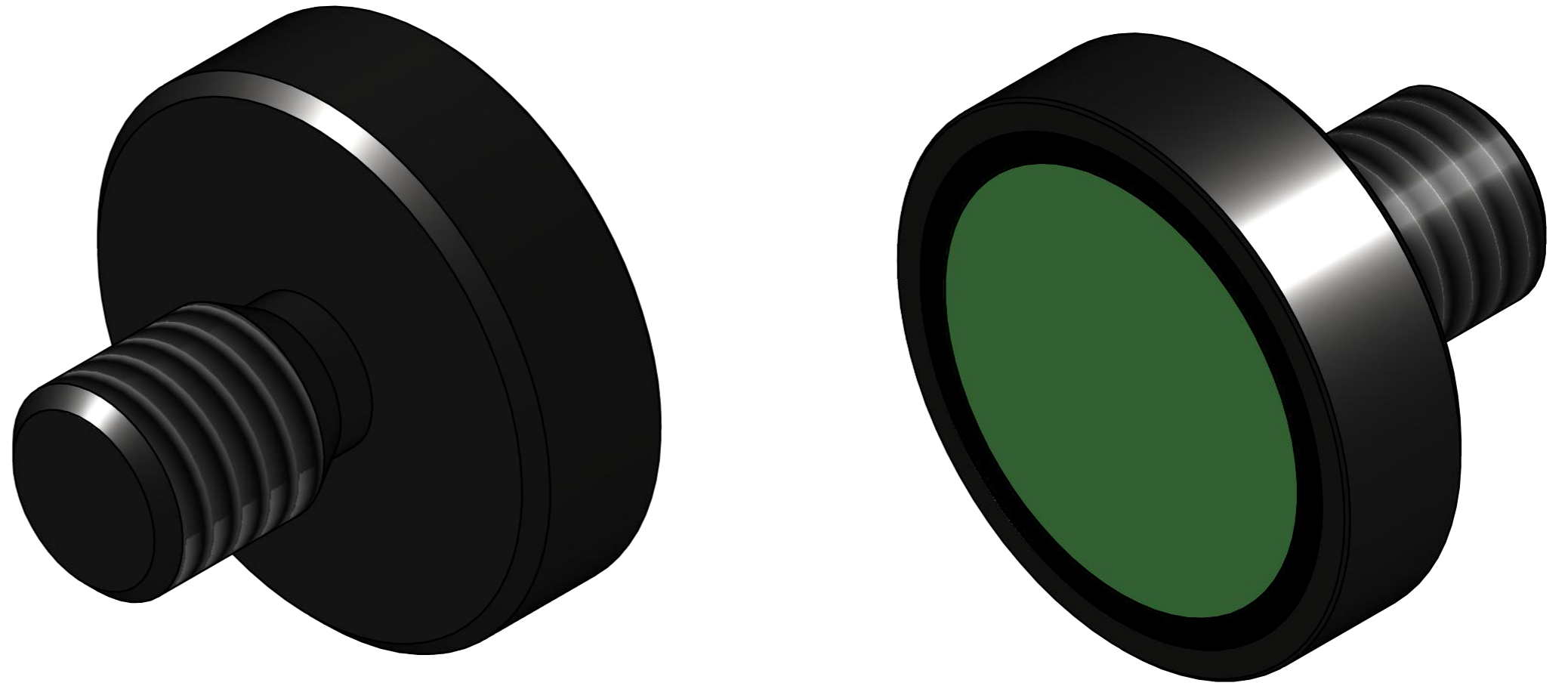



DOC.NR.	REV	DATE	BY	DESCRIPTION
E0119066	-	2-10-2019	PV	ORIGINAL DRAWING



SURFACE TREATMENT: ZINC PLATED

RAW MAT.	1	Quantity	Material Number	Material Description	Length (mm)	Width (mm)		
Sheet:	A2	Extra info:	POTMAGNET NEODYMIUM			General tolerance:	ISO 2768- mK	
Drawn:	PV	Weight (kg):	0,008			Drawn according:	ISO268; ISO1101; ISO2553	
Date:	17-7-2019	Source:				Status:	Released	
Spare part:	False	Quick search:	POTGM			Customer reference number:		
Description:	PM-TE-N-SG-D16x4.5xM6x8				Document number:	E0119066	Doc.Rev:	
					Part number:	GM17624	Rev:	