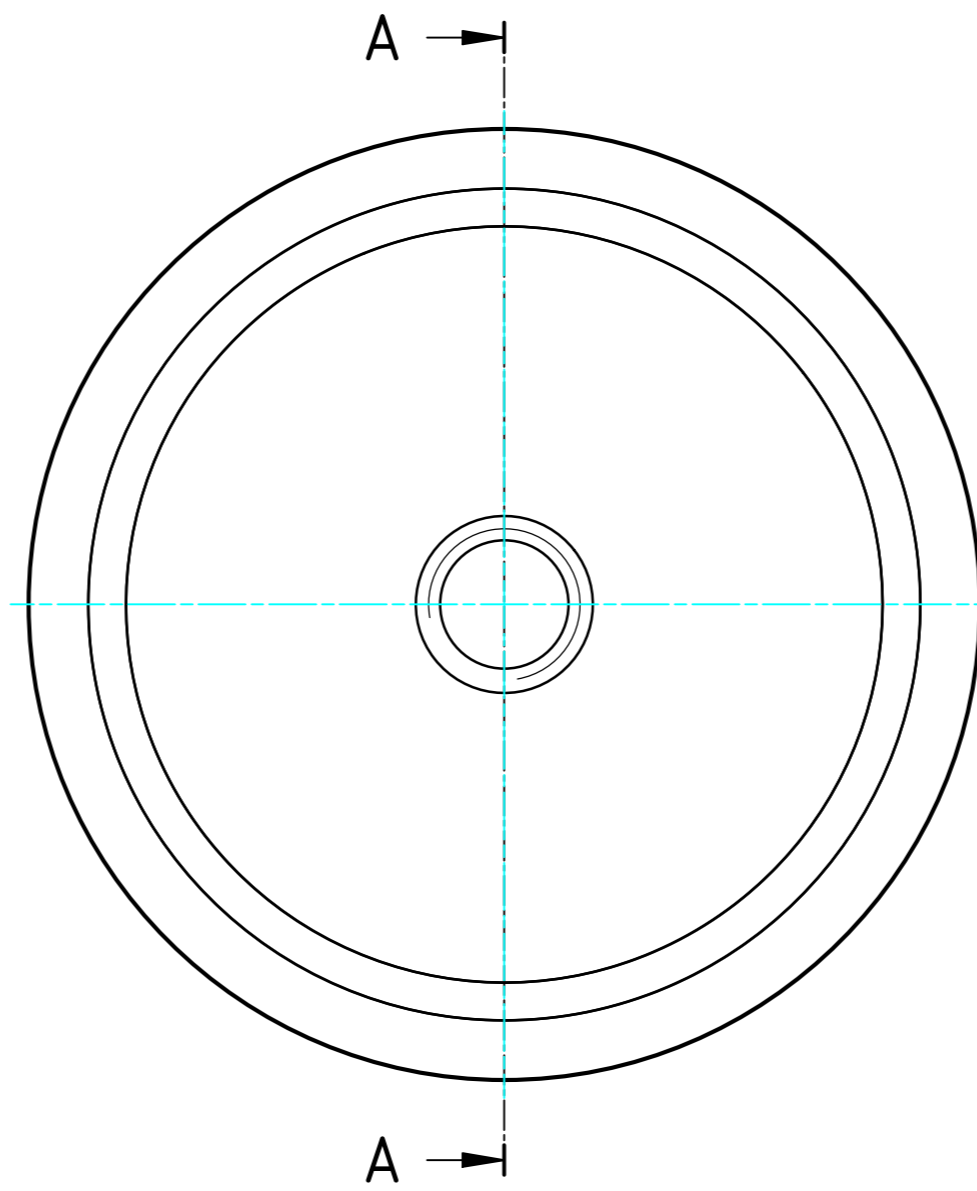
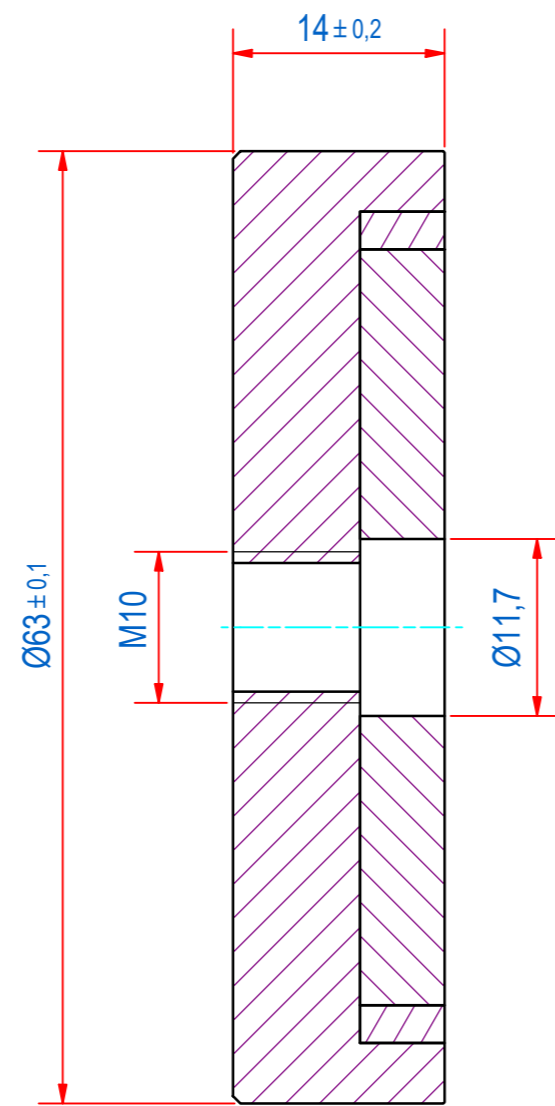
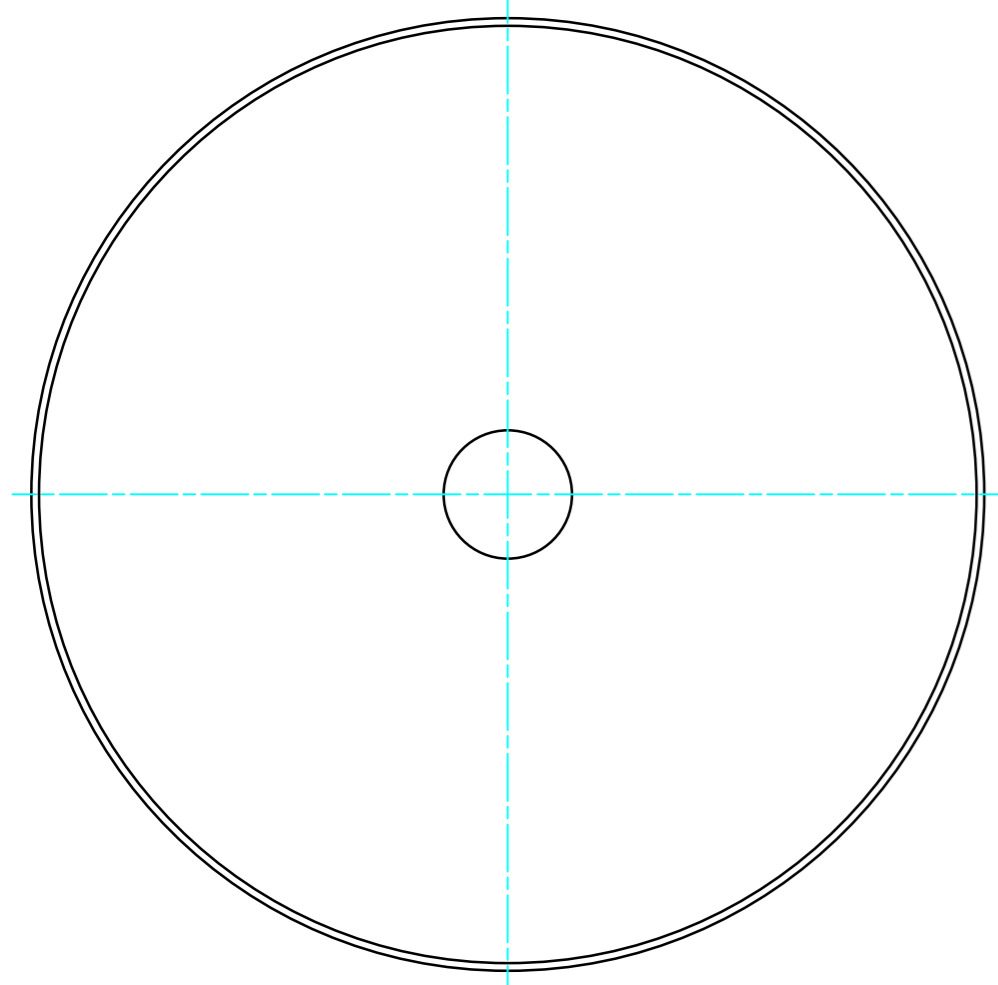
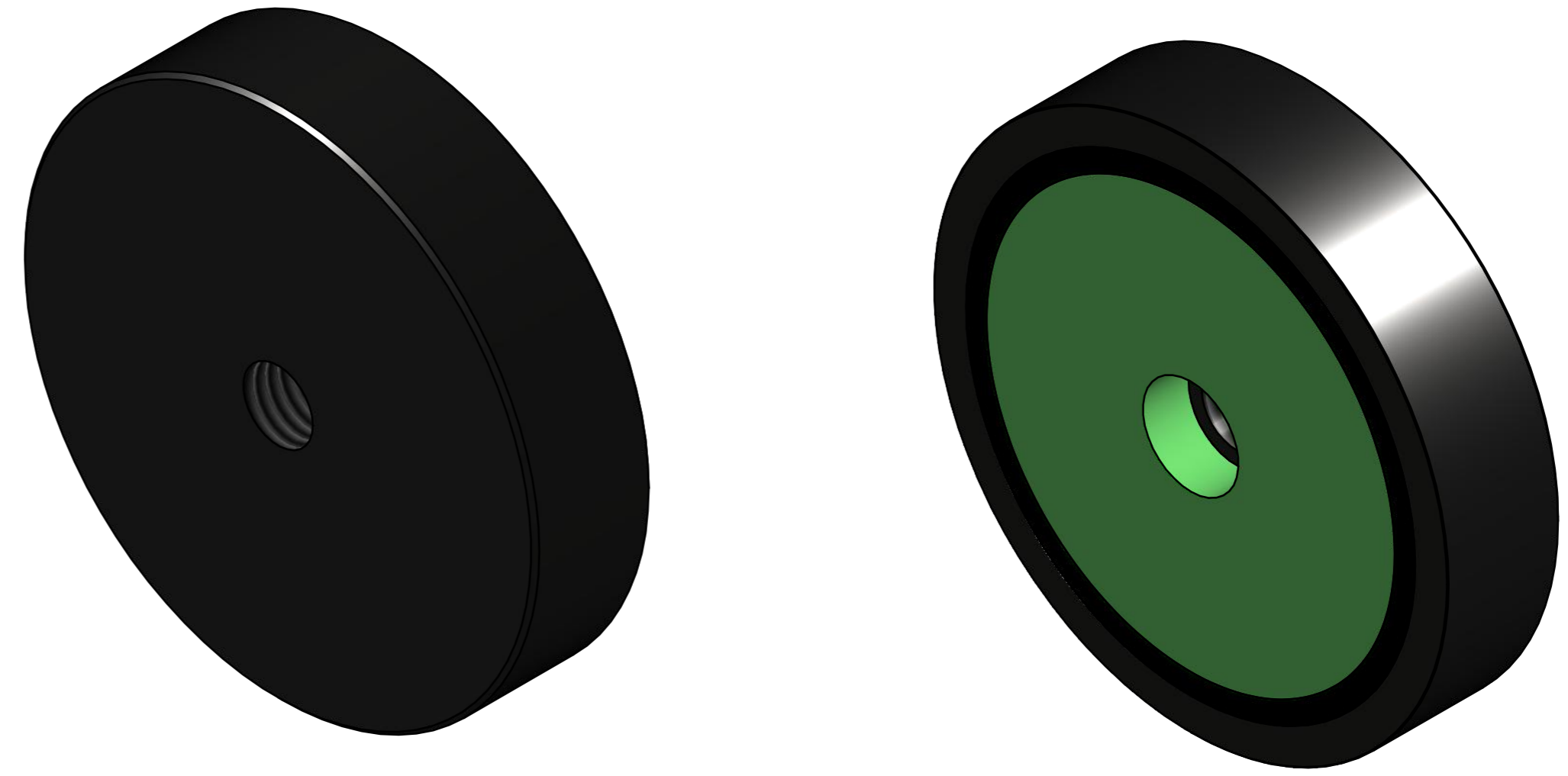


DOC.NR.	REV	DATE	BY	DESCRIPTION
E0121007	-	1-10-2019	PV	ORIGINAL DRAWING



SURFACE TREATMENT: ZINC PLATED

A-A

RAW MAT.	1	Quantity	Material Number	Material Description	Length (mm)	Width (mm)
Symbol	Sheet: A2	Weight (kg): 0,32	Extra info: POTMAGNET NEODYMIUM	General tolerance: ISO 2768 - mK		
Drawn: PV	Date: 21-8-2019	Source: False		Drawn according: ISO 268; ISO 1101; ISO 2553		
Quick search: POTGM	© All rights reserved. Reproduction is not permitted without written permission of GOUDSMIT Magnetic Systems BV			Status: Released		
Description: PM-TI-N-SG-D63x14xM10	Part number: GM17442			Document number: E0121007	Doc.Rev: -	Rev: -