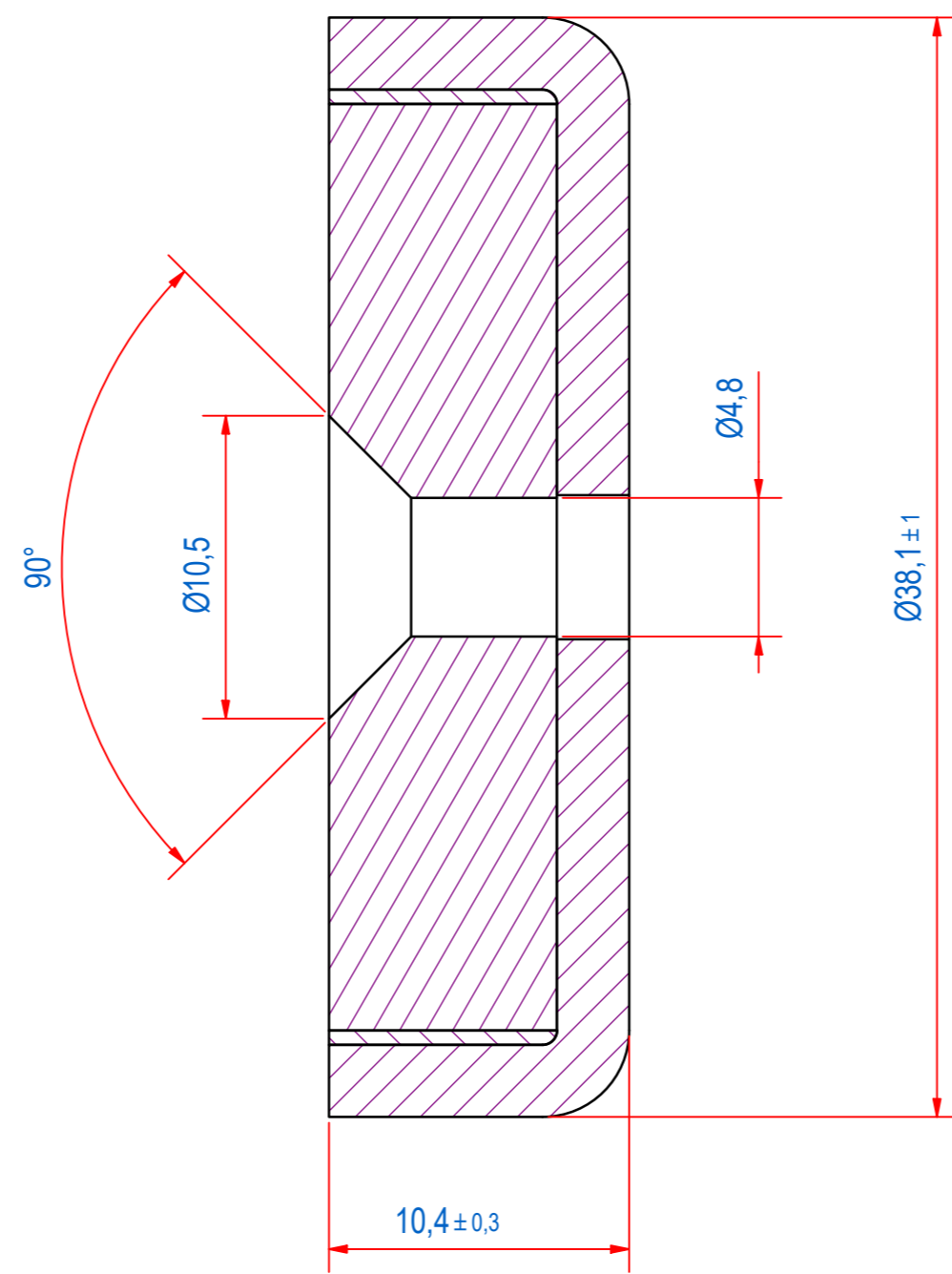
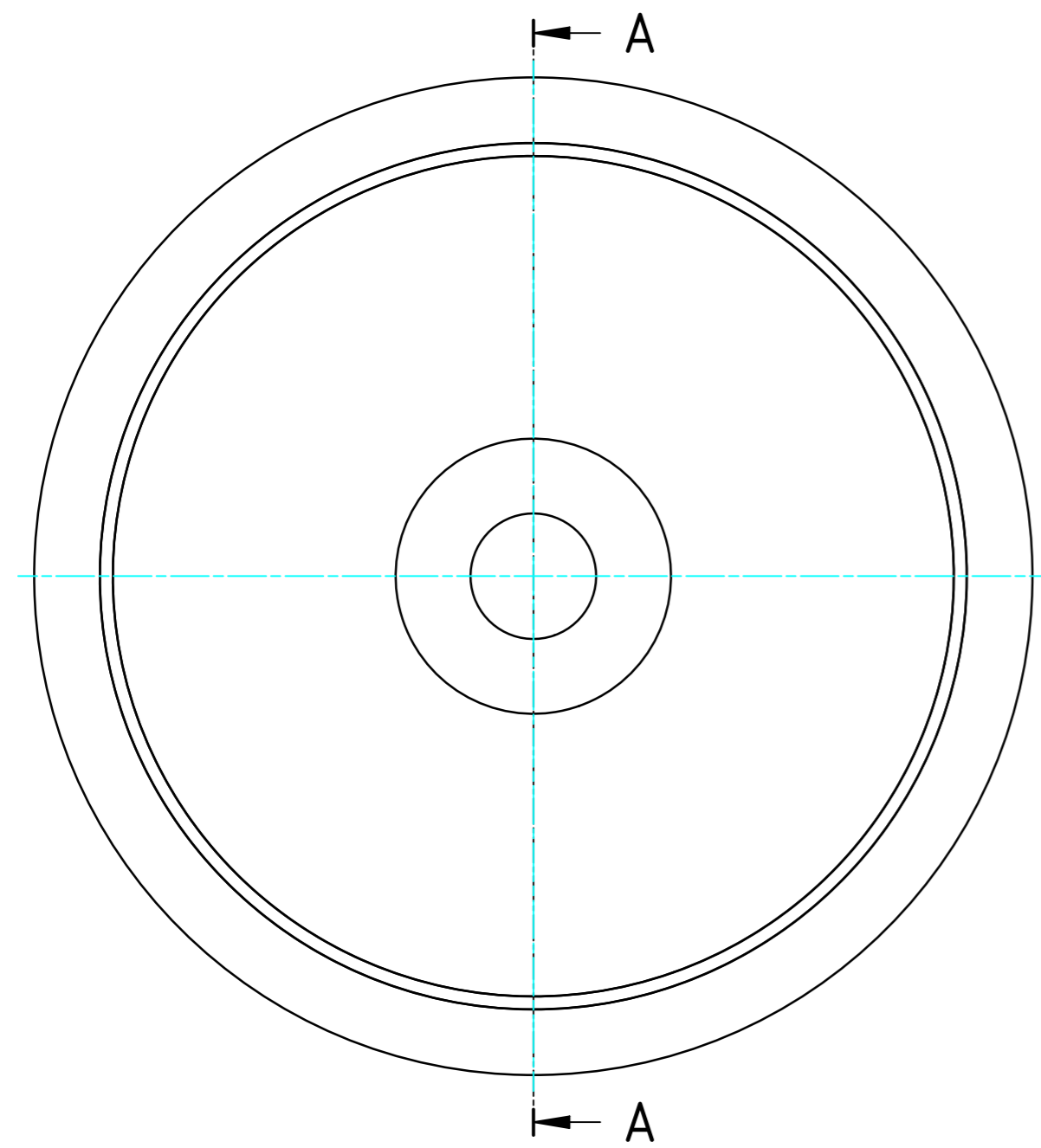
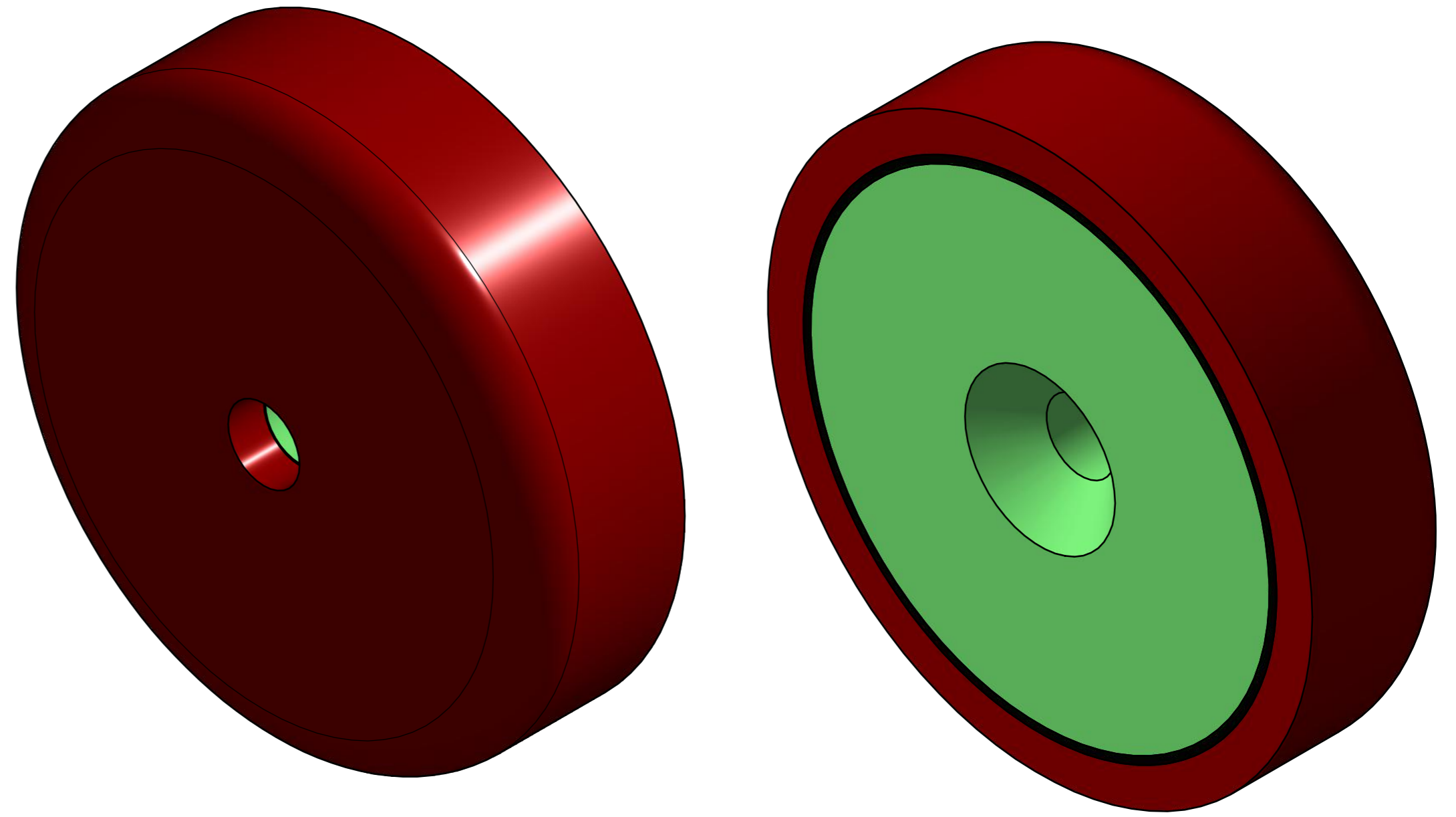


DOC.NR.	REV	DATE	BY	DESCRIPTION
E0120216	-	24-9-2019	PV	ORIGINAL DRAWING



RAW MAT.	1	Quantity	Material Number	Material Description	Length (mm)	Width (mm)
Sheet:	A2	Extra info:	POTMAGNET ALUMINIUM-NICKEL-COBALT		General tolerance: ISO 2768- mK	
Drawn:	PV	Weight (kg):	0,089		Drawn according: ISO268; ISO1101; ISO2553	
Date:	5-8-2019	Status:	Released		Customer reference number:	
Spare part:	False	Source:	POTGM		Document number:	Doc.Rev:
Quick search:	POTGM	© All rights reserved. Reproduction is not permitted without written permission of GOUDSMIT Magnetic Systems BV		E0120216	-	
Description:	PM-HS-A-SR-D38.1x10.4xd4.8/10.5			Part number:	Rev:	
				GM16203		