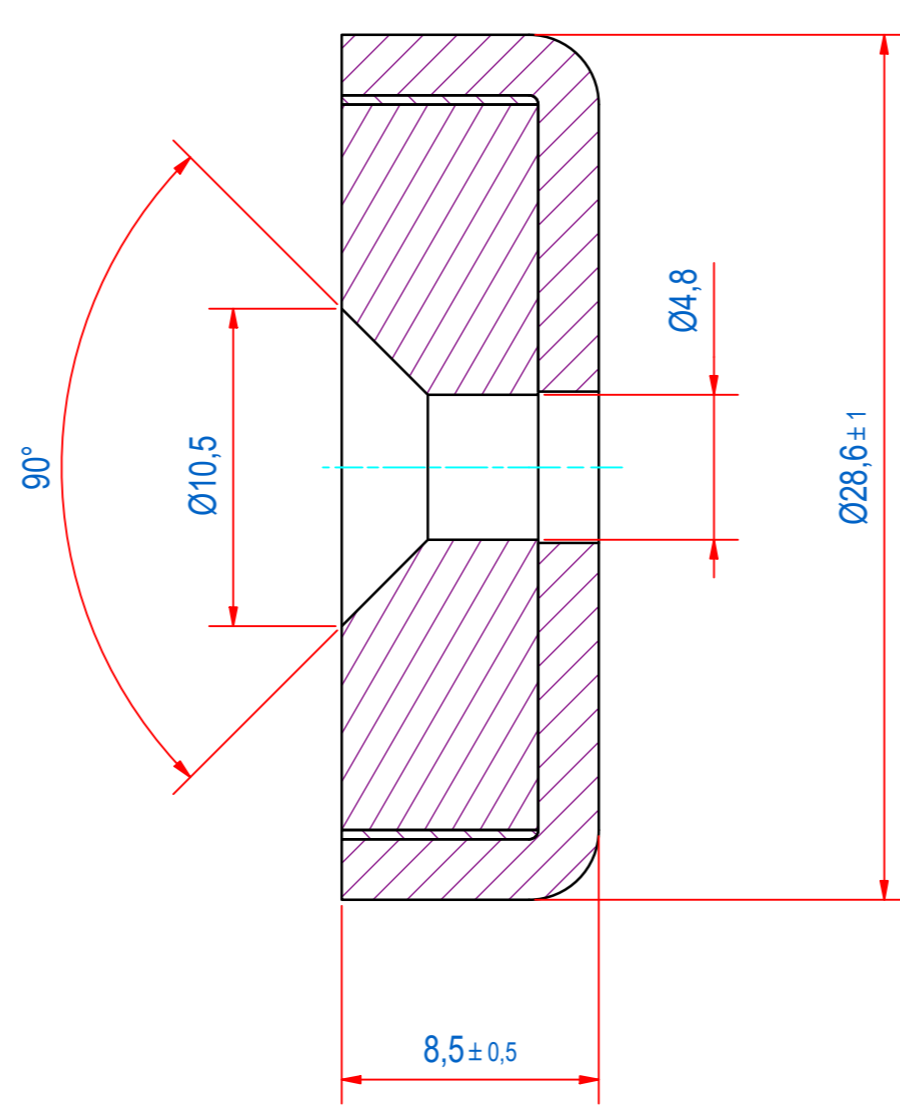
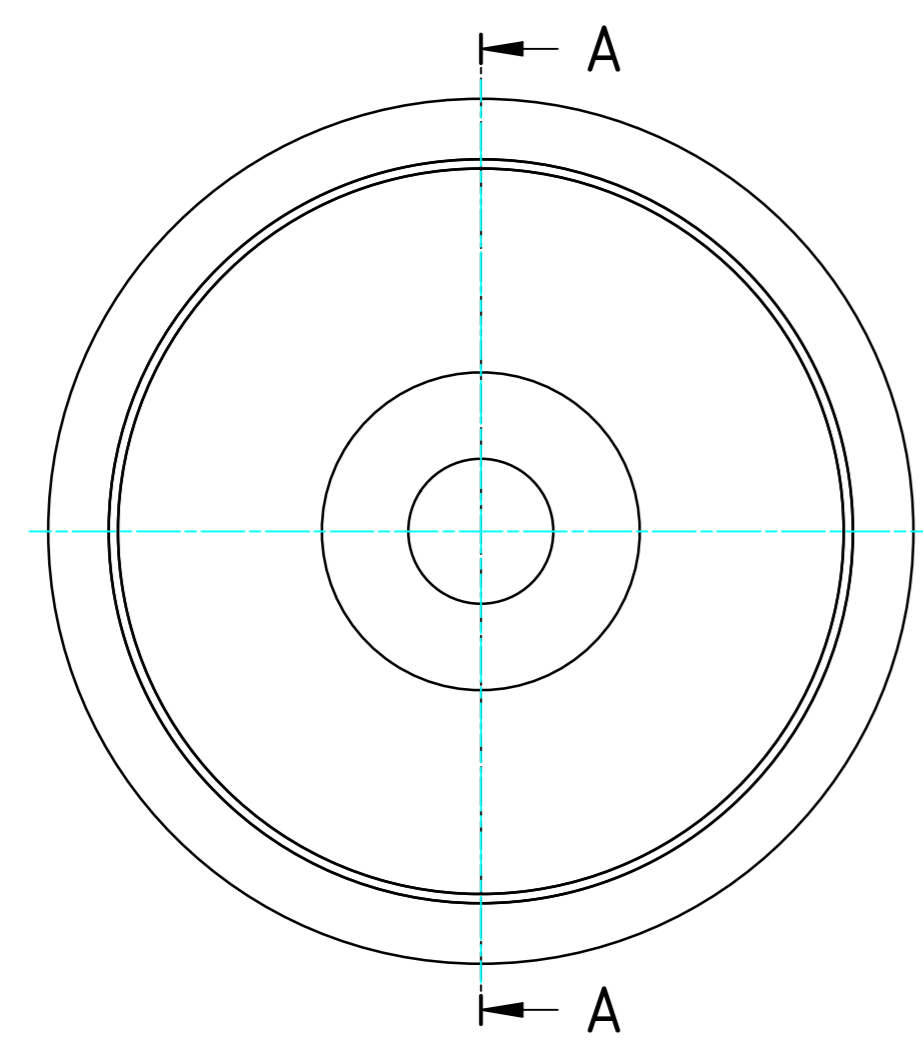
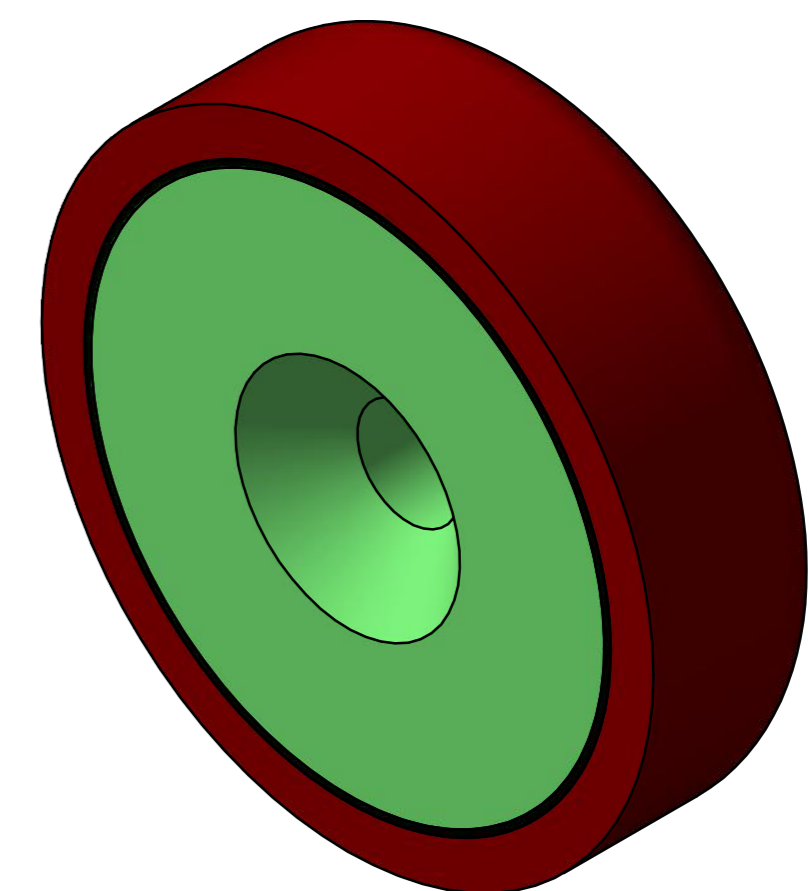
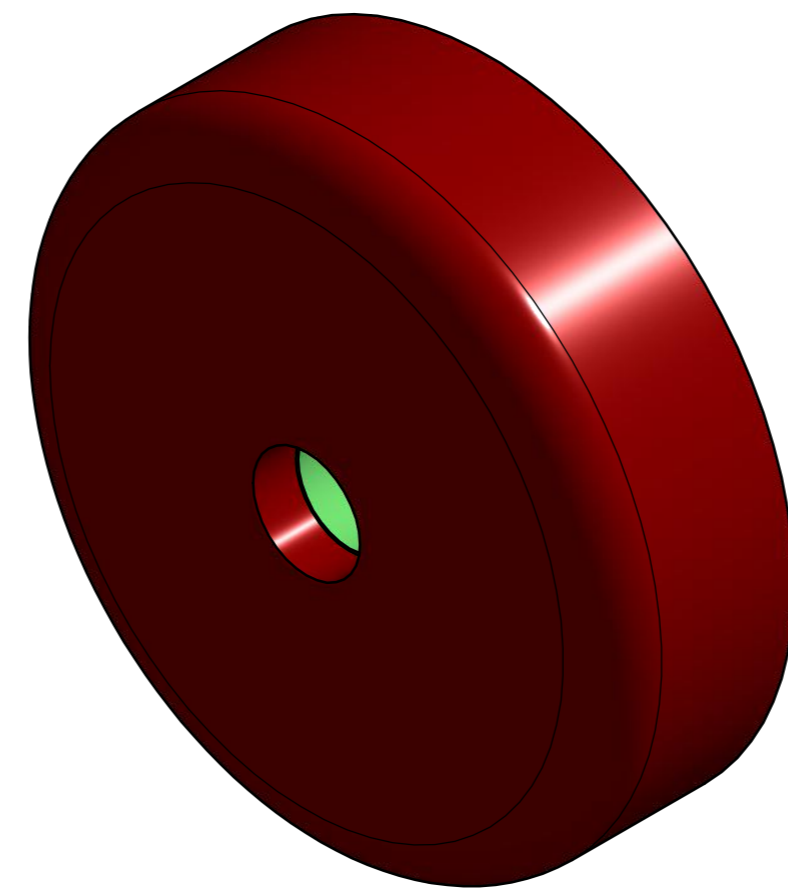


DOC.NR.	REV	DATE	BY	DESCRIPTION
E0120234	-	24-9-2019	PV	ORIGINAL DRAWING



RAW MAT.	1								
Quantity		Material Number		Material Description		Length (mm)		Width (mm)	
Sheet:	A2	Extra info:	POTMAGNET ALUMINIUM-NICKEL-COBALT		General tolerance:	ISO 2768- mK			
Drawn:	PV	Weight (kg):	0,040		Drawn according:	ISO268; ISO1101; ISO2553			
Date:	5-8-2019	Source:			Status:	Released			
Spare part:	False	Quick search:	POTGM		Customer reference number:				
Description:					Document number:	E0120234		Doc.Rev:	
PM-HS-A-SR-D28.6x8.5xd4.8/10.5					Part number:	GM16202		Rev:	



© All rights reserved. Reproduction is not permitted without written permission of GOUDSMIT Magnetic Systems BV