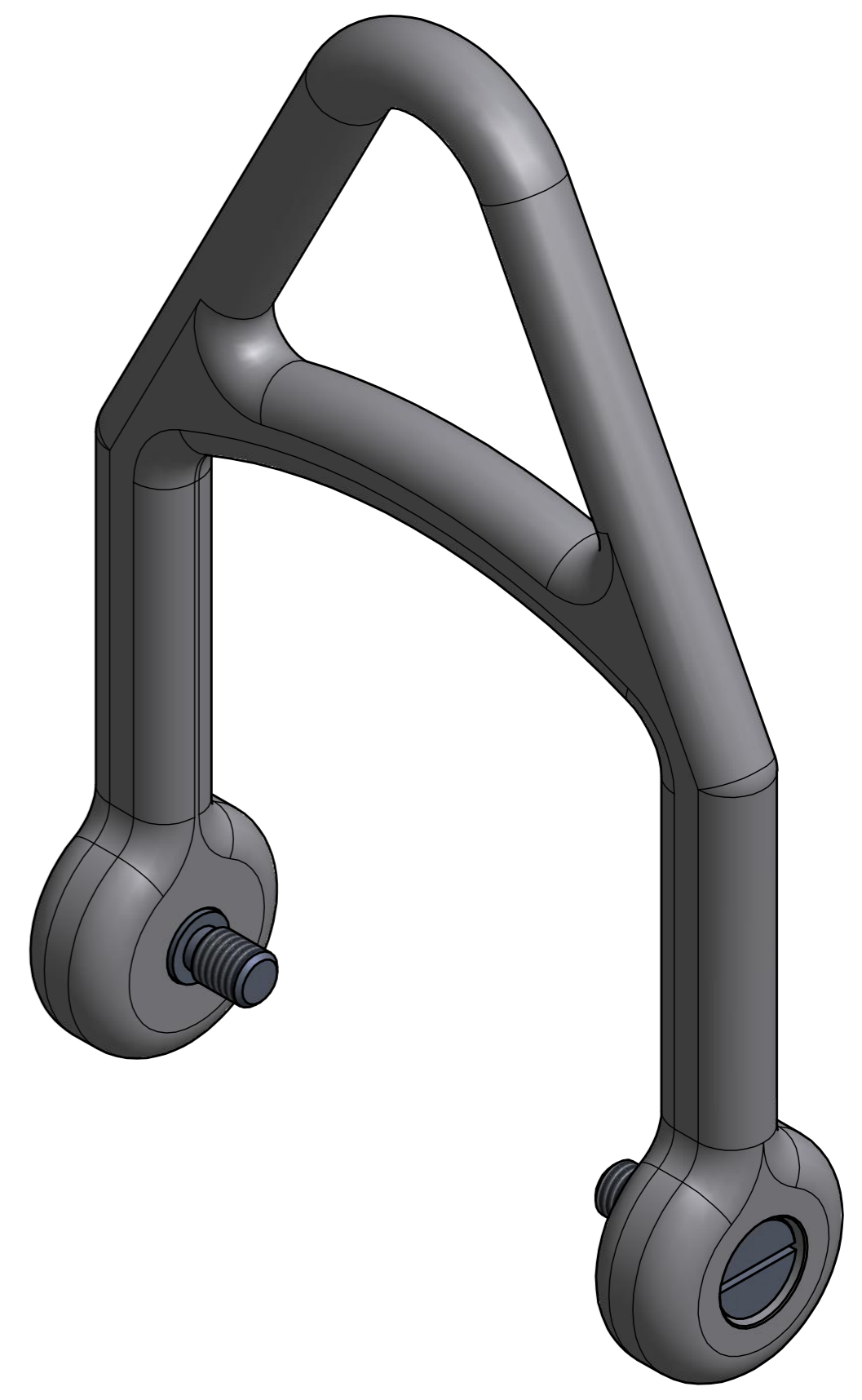
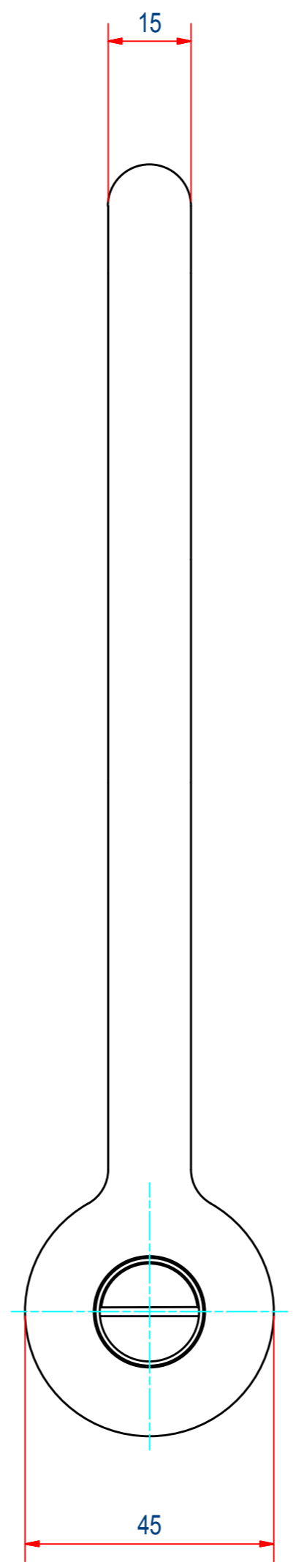
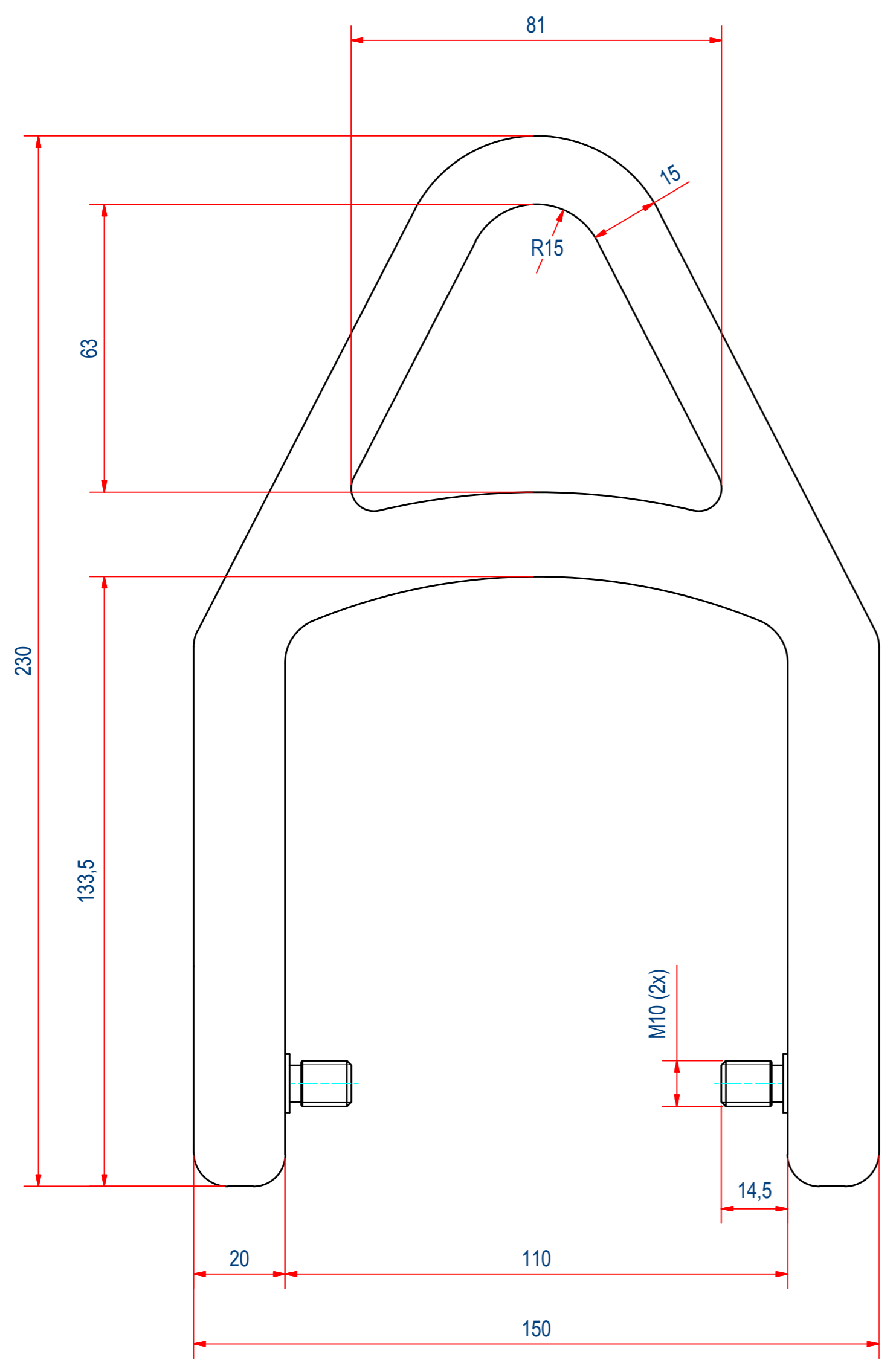


REV	DATE	BY	DESCRIPTION
-	11-12-2013	BS	ORIGINAL DRAWING



RAW MAT.	1	MAT. NUMBER		MAT. DESCRIPTION		LENGTH (mm)	WIDTH (mm)
QTY	1						
Sheet:	A2	Extra info:		General tolerance:		ISO 2768- mK	
Drawn:	BS	Weight (kg):		Drawn according:		ISO268; ISO1101; ISO2553	
Date:	29-11-2013			Status:		Standard	
Spare part:	False			Customer reference number:			
Quick search:	MS HOOK70	© All rights reserved. Reproduction is not permitted without written permission of GOUDSMIT Magnetic Systems BV		File number:		MS-8800006	
Description:	HMS-HOOK BRACKET FOR MAGSQ70mm			Part number:		MS-8800006	