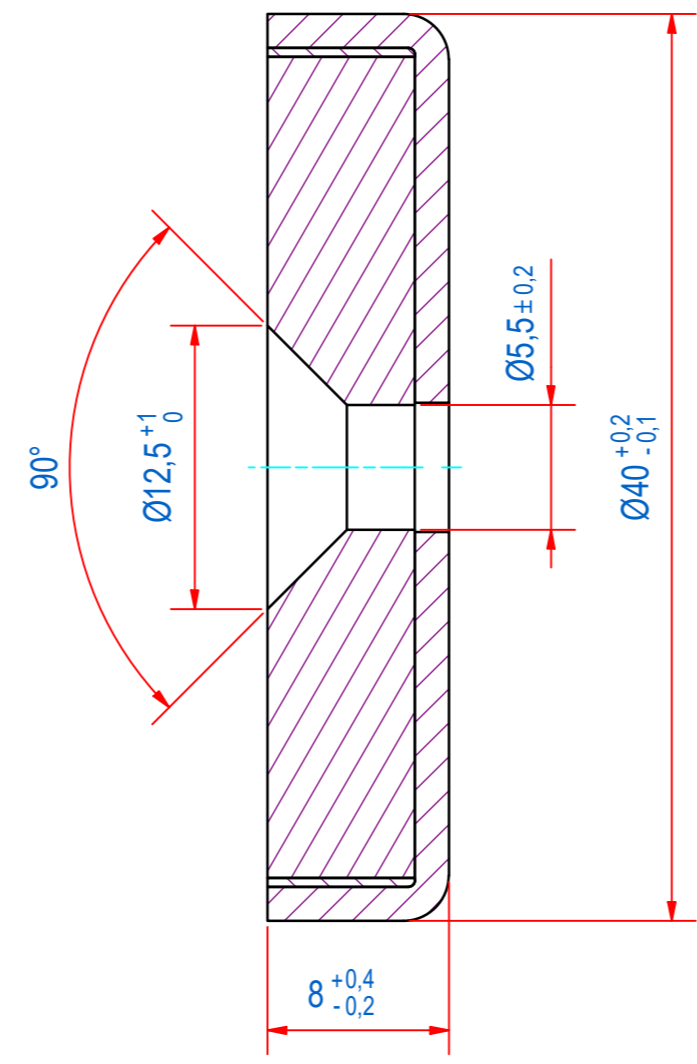
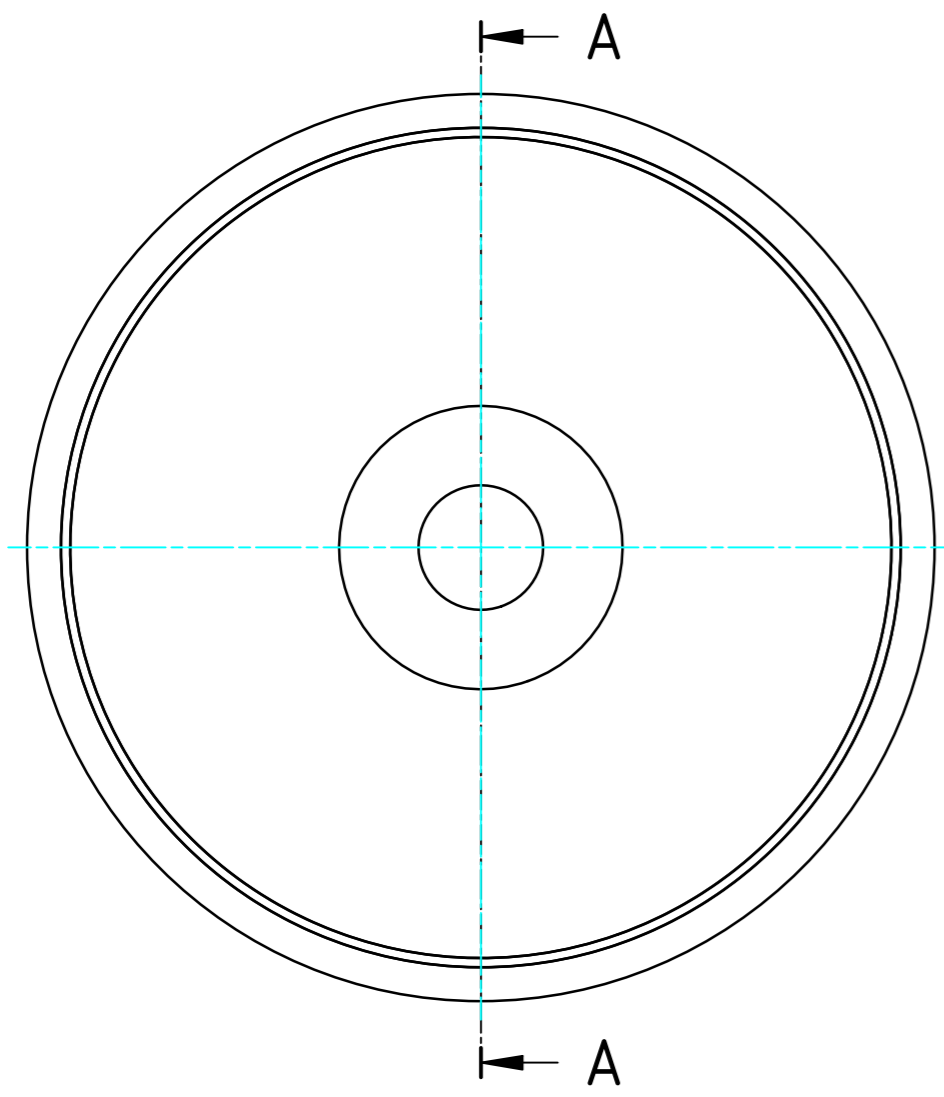
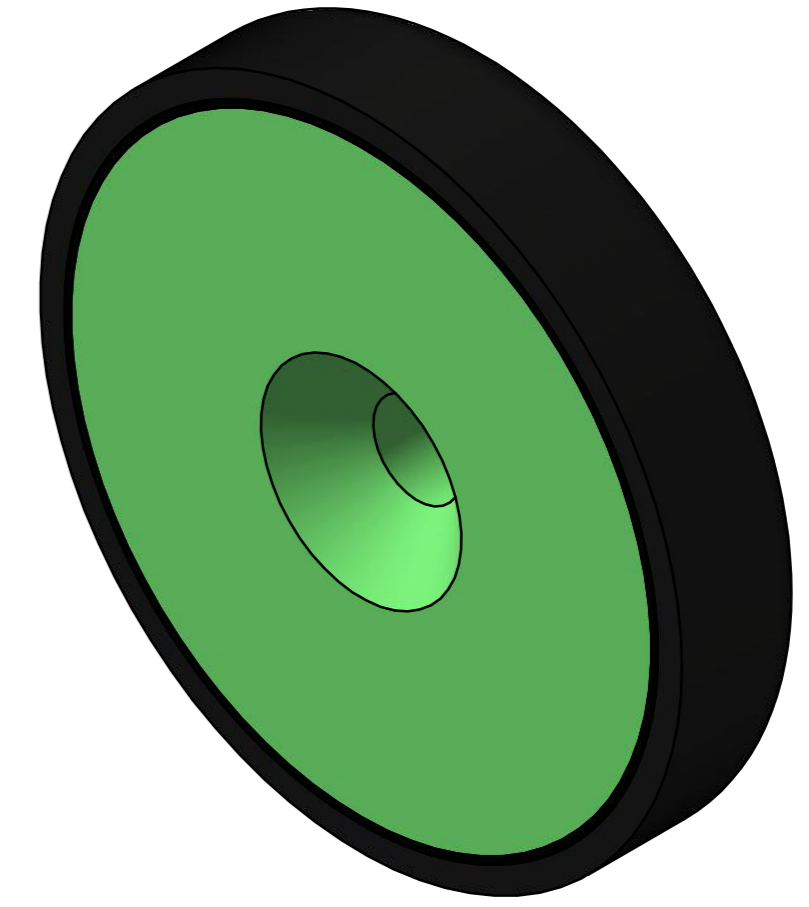
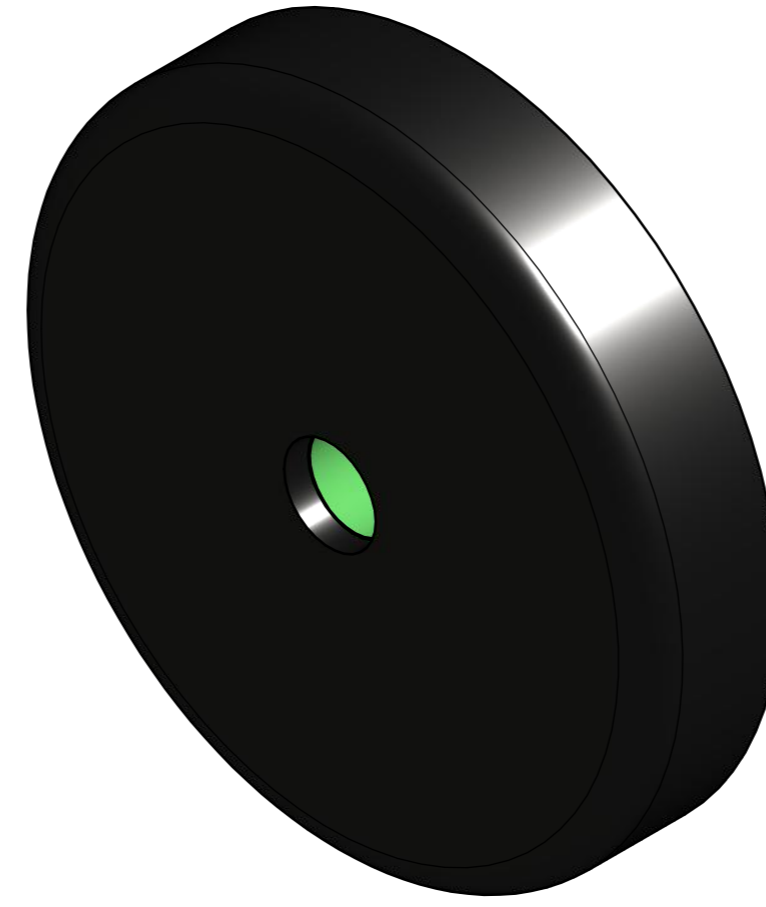


DOC.NR.	REV	DATE	BY	DESCRIPTION
E0120370	-	25-9-2019	PV	ORIGINAL DRAWING



SURFACE TREATMENT: ZINC PLATED

RAW MAT.	1	Quantity	Material Number	Material Description	Length (mm)	Width (mm)
Sheet:	A2	Extra info:	POTMAGNET FERRITE			
Drawn:	PV	Weight (kg):	0,073			
Date:	7-8-2019	General tolerance:		ISO 2768- mK		
Spare part:	False	Drawn according:		ISO268; ISO1101; ISO2553		
Quick search:	POTGM	Status:		Released		
Description:	PM-HS-F-SG-D40x8xd5.5/12.5	Customer reference number:		-		
		Document number:		E0120370		
		Part number:		GM16603		
		Doc.Rev:		-		
		Rev:		-		



© All rights reserved. Reproduction is not permitted without written permission of GOUDSMIT Magnetic Systems BV