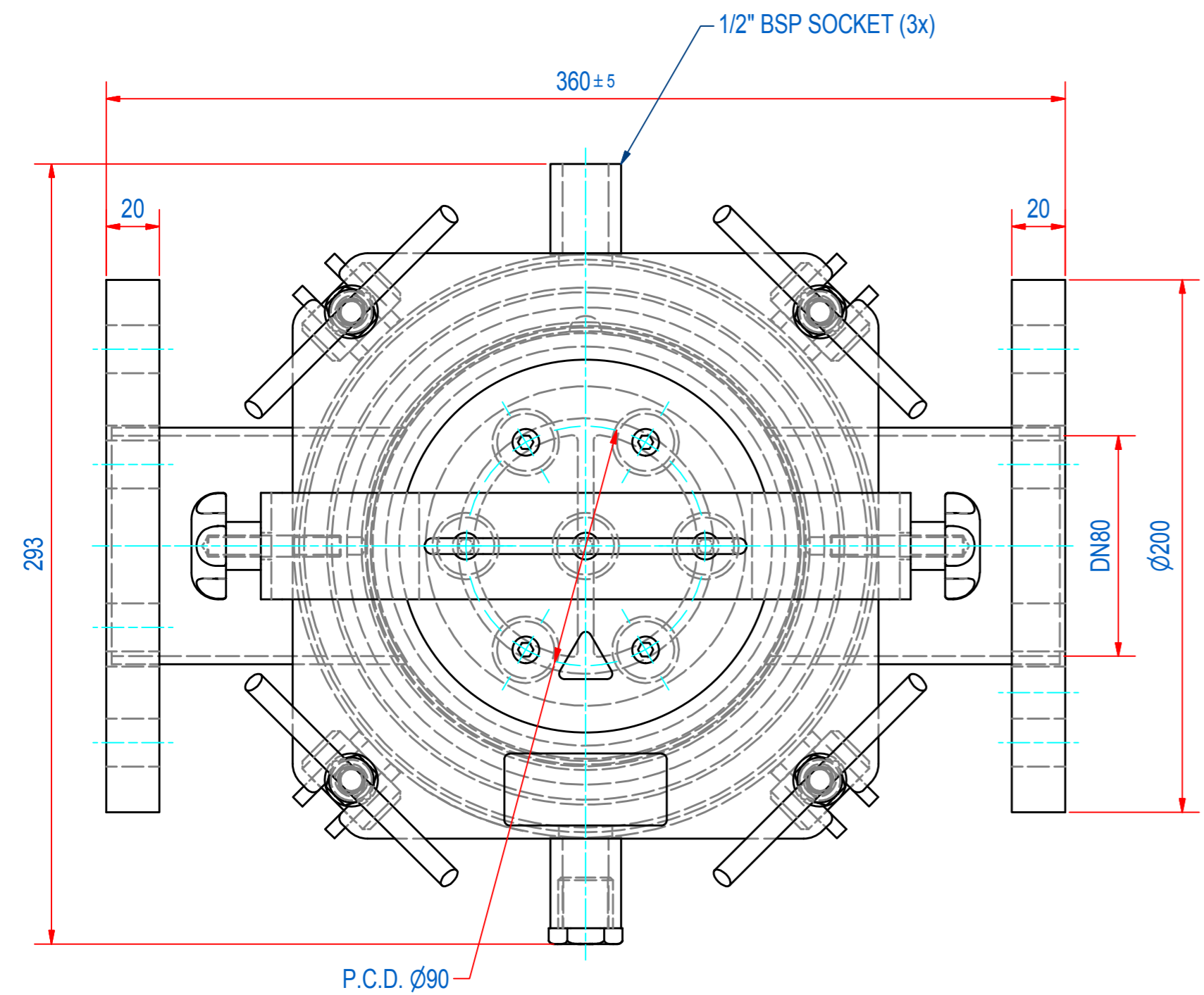
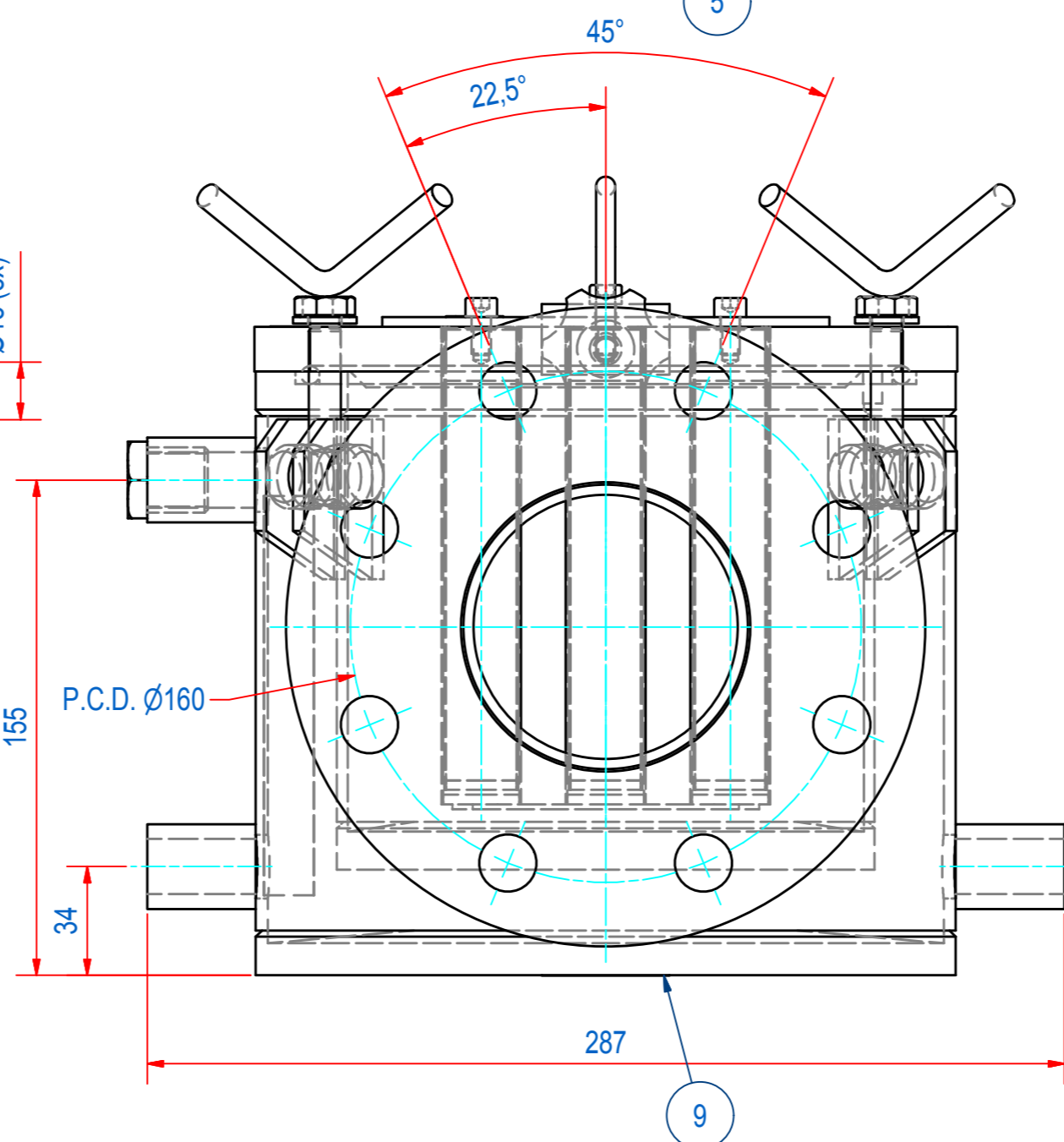
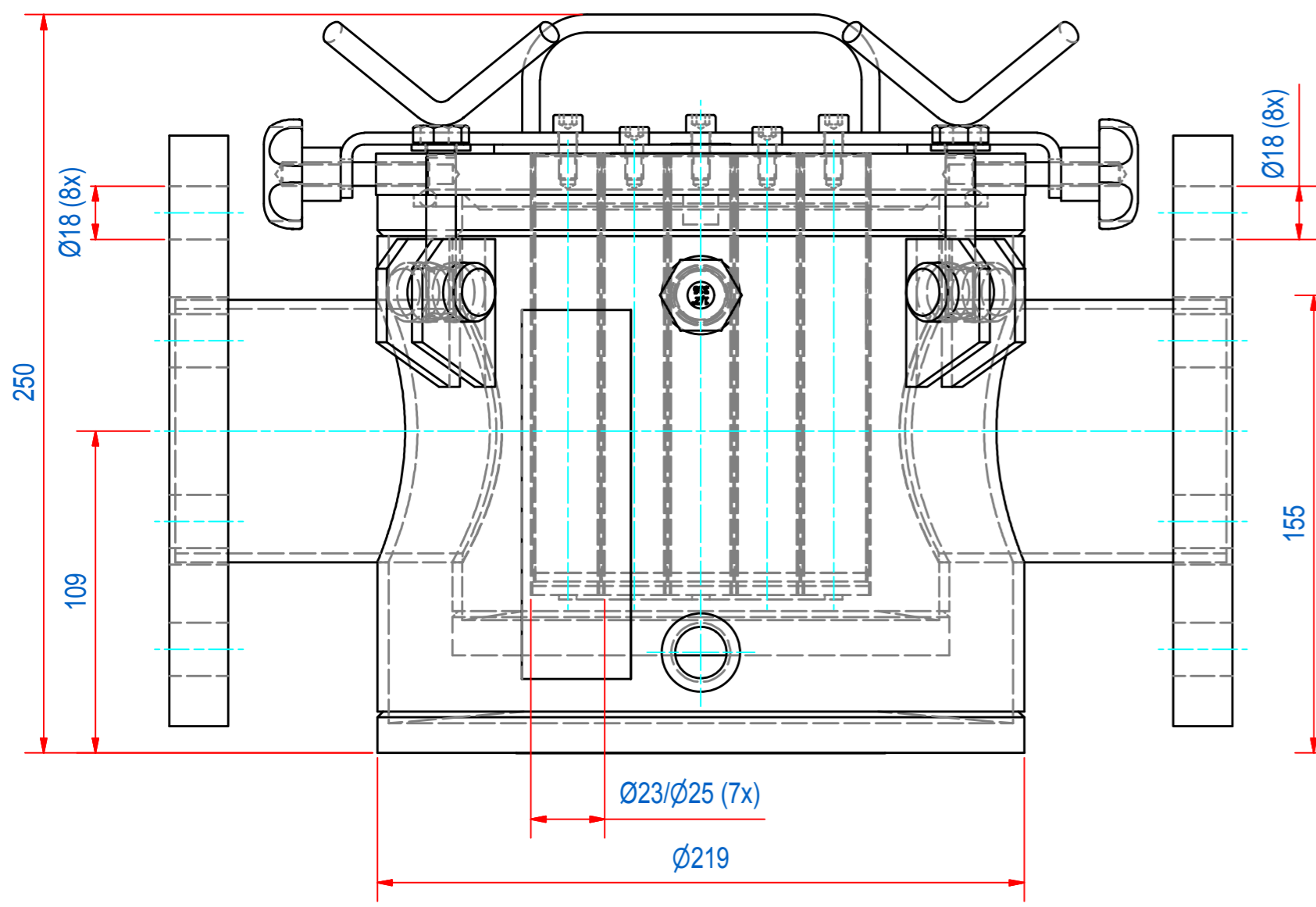
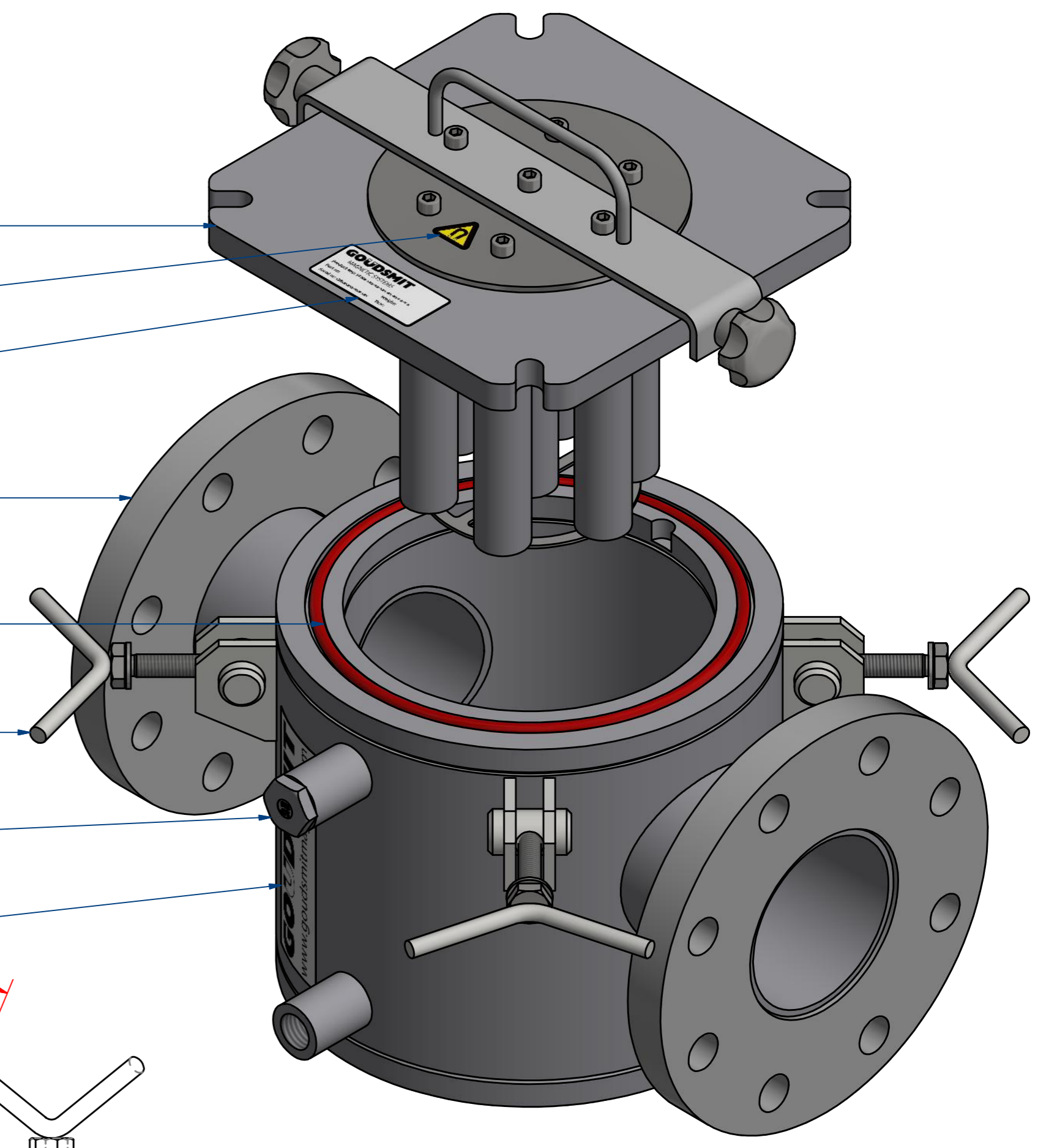


REV	DATE	BY	DESCRIPTION
-	23-5-2013	CR	NEW REVISION VAULT, NOTHING CHANGED, OLD REV WAS F
A	22-11-2018	CR	TYPE PLATE AND WARNING STICKERS ADDED AND TOLERANCE CHANGED: 360+/-5 WAS 360+/-2



- 2
- 8
- 4
- 1
- 7
- 3
- 6
- 5



ITEM	QTY	PART NUMBER	DESCRIPTION	Dimensions
9	1	1215.00407	NAME PLATE GOUDSMIT 125x40	
8	1	1000.20080	STICKER MAGNETIC FIELD 20mm	
7	1	78.1179570	O-RING Ø179.3 xØ5.7 EC1935	
6	1	76.9900002	SEALING PLUG 1/2" HEXAGON CON	
5	1	E0092760	STICKER SFD-080 GSM	
4	1	E0086453	TYPE PLATE FILTER SFN	
3	4	M66810	FS000 TOGGLE M10	
2	1	M21994	FILTER TOP FSD080 ASSY	
1	1	M21999	HOUSE DN80 DOUBLE DIN2576	

RAW MAT.	QTY	MAT. NUMBER	MAT. DESCRIPTION	LENGTH (mm)	WIDTH (mm)
⊕	1	A2	Sheet: A2		
Drawn:	CR	Weight (kg):	32,4		
Date:	25-3-2013	Extra info:			
Spare part:	False	General tolerance:	ISO 2768 - mK		
Quick search:	FSD080	Drawn according:	ISO268; ISO1101; ISO2553		
Description:	SFND-080-IF-07E-HT-F1m-S-B-B	Status:	Standard		
		Customer reference number:			
		File number:	E0086161	Rev:	A
		Part number:	SSFD008038	Rev:	A