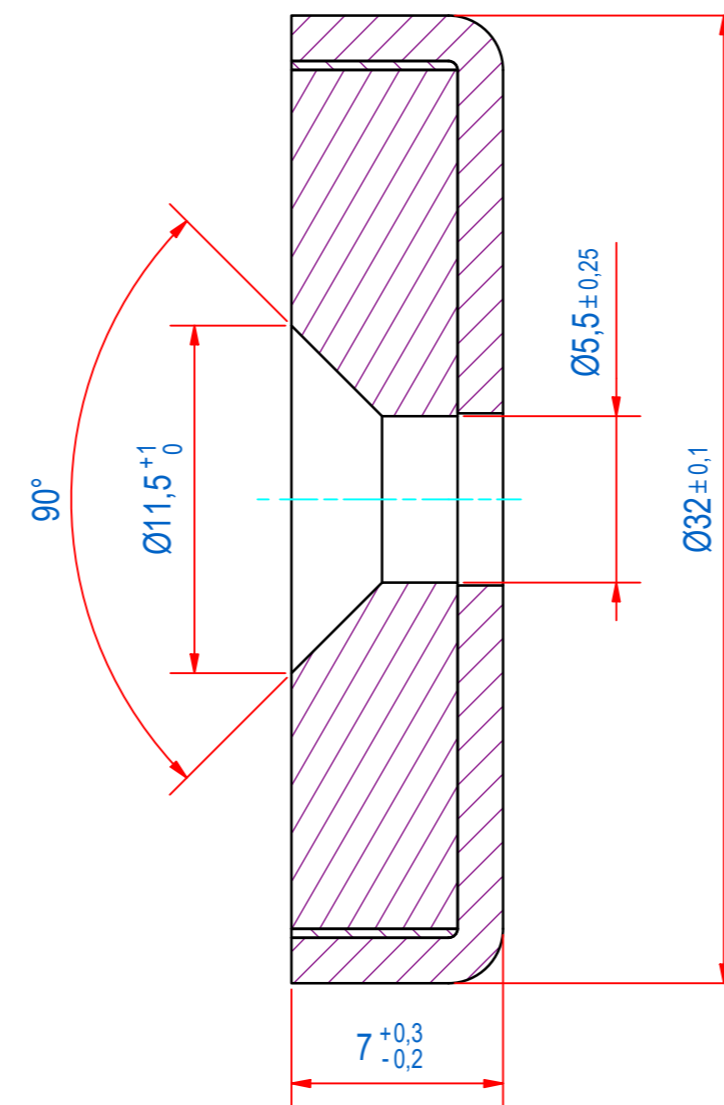
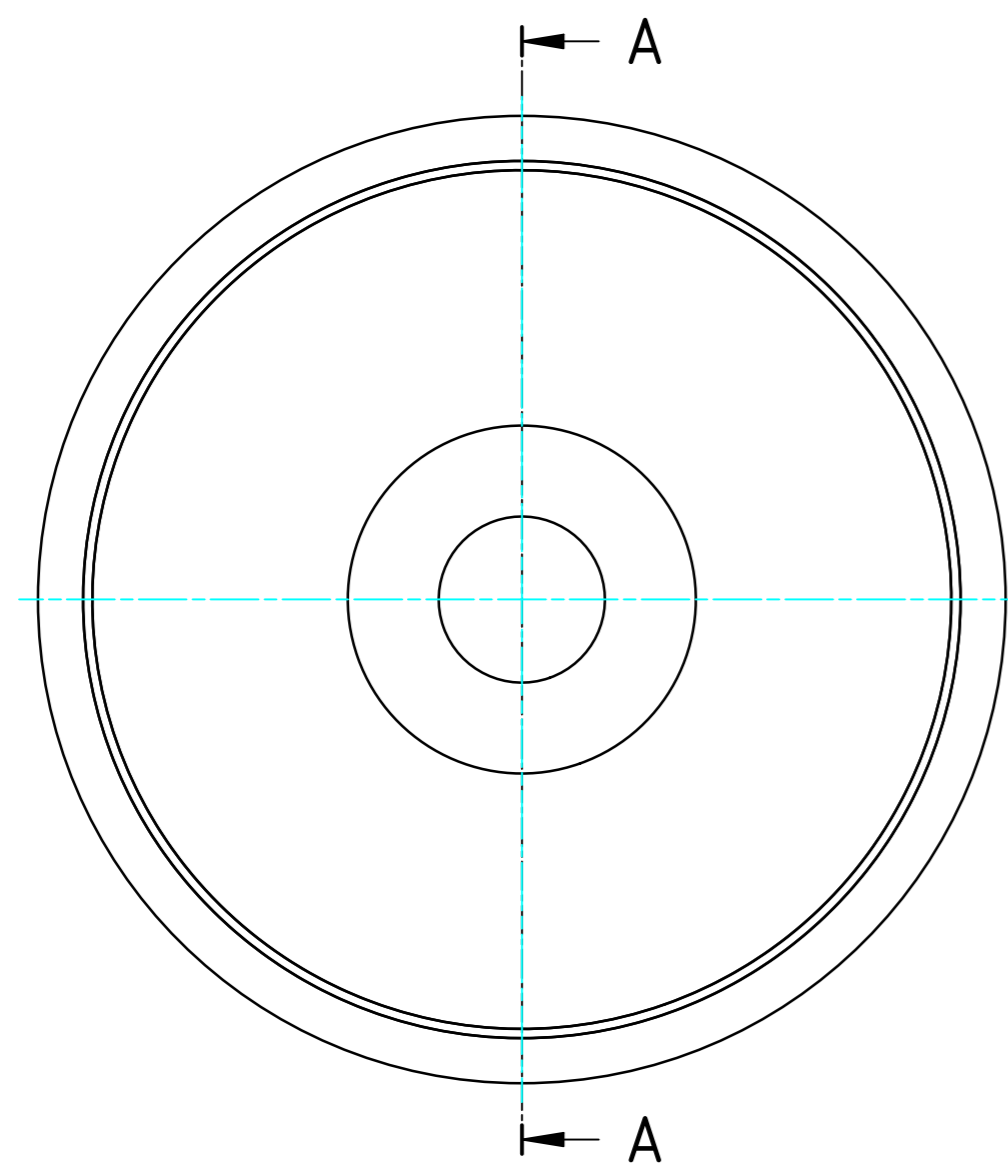
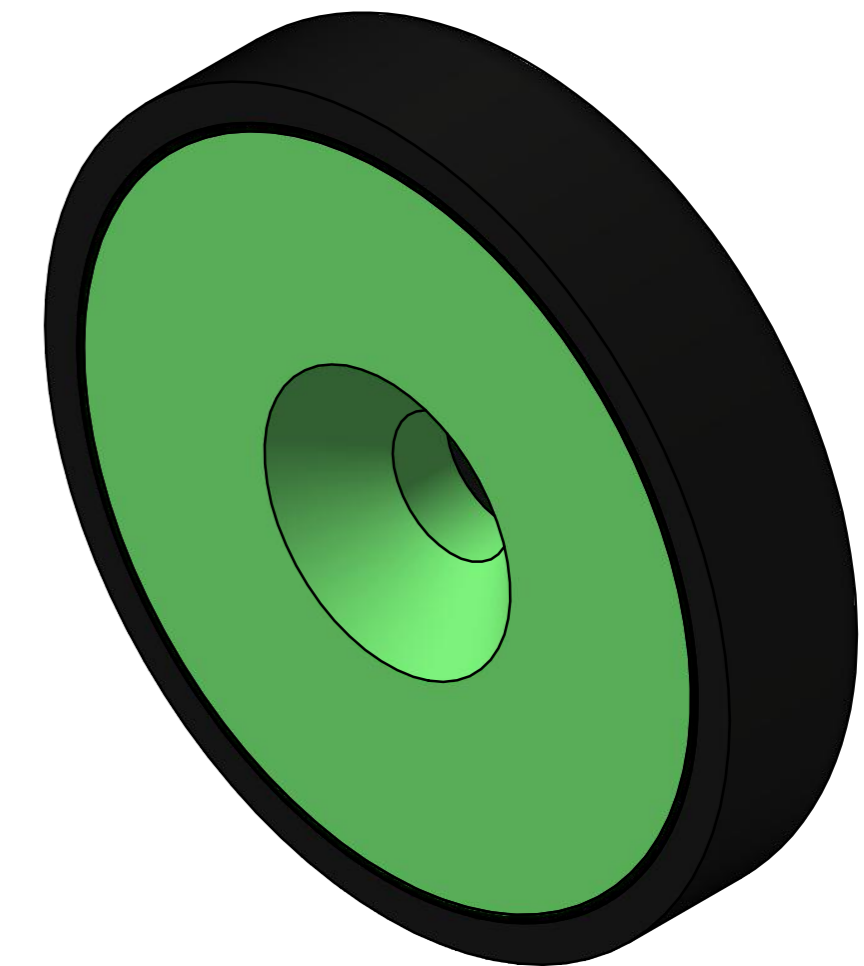
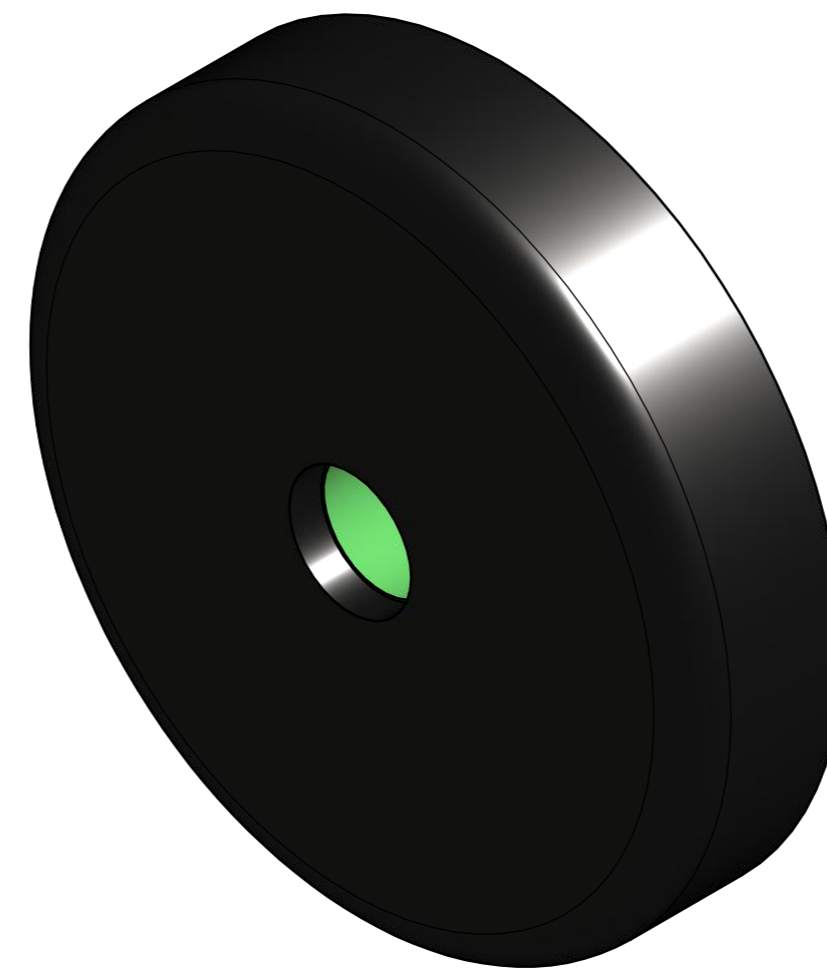


DOC.NR.	REV	DATE	BY	DESCRIPTION
E0120362	-	25-9-2019	PV	ORIGINAL DRAWING



SURFACE TREATMENT: ZINC PLATED

RAW MAT.	Quantity: 1	Material Number	Material Description	Length (mm)	Width (mm)
Sheet: A2	Weight (kg): 0,040	Extra info: POTMAGNET FERRITE	General tolerance: ISO 2768- mK		
Date: 7-8-2019	Source: False		Drawn according: ISO268; ISO1101; ISO2553		
Quick search: POTGM	Description: PM-HS-F-SG-D32x7xd5.5/11.5		Status: Released	Customer reference number:	
			Document number: E0120362	Doc.Rev: -	
			Part number: GM16602	Rev: -	