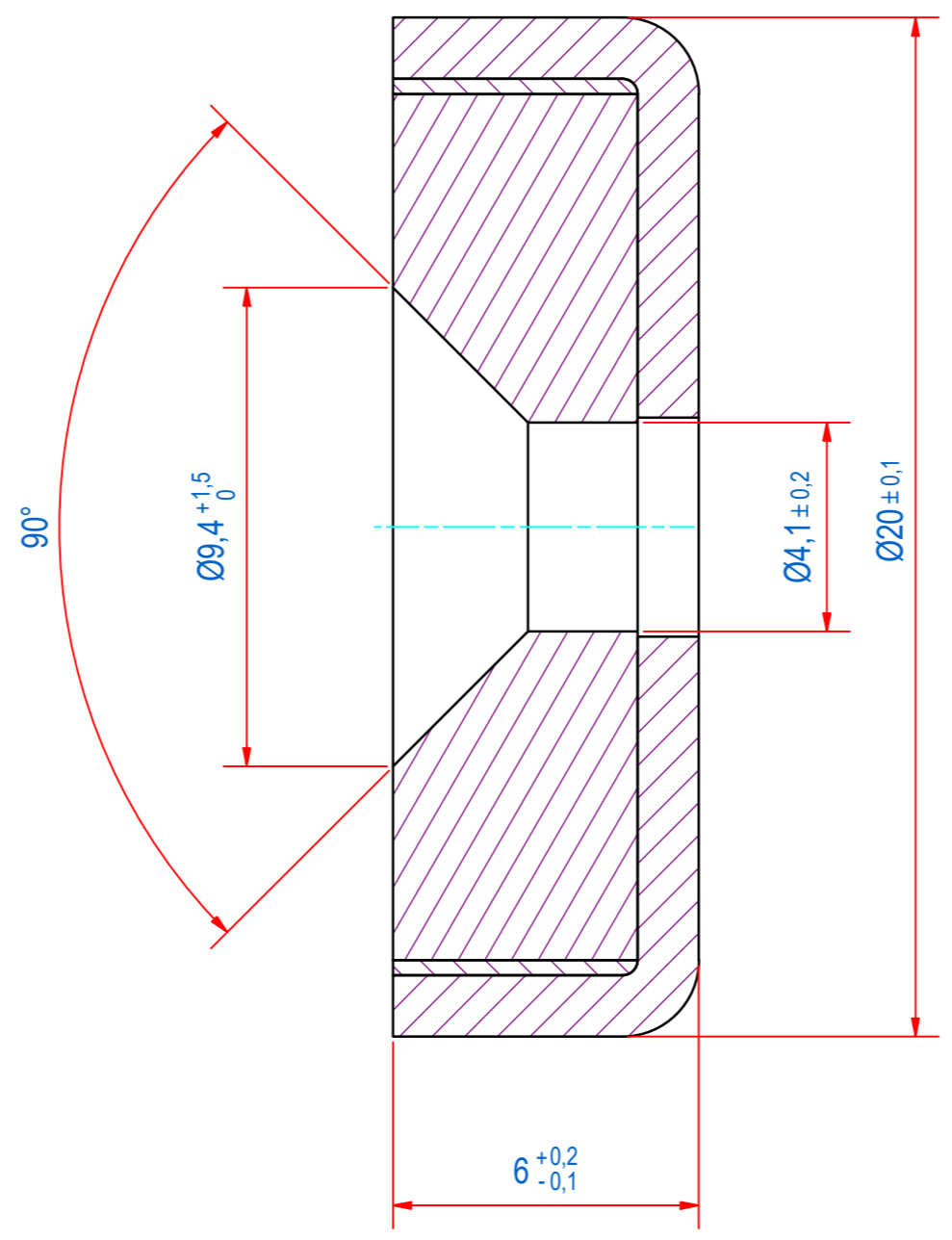
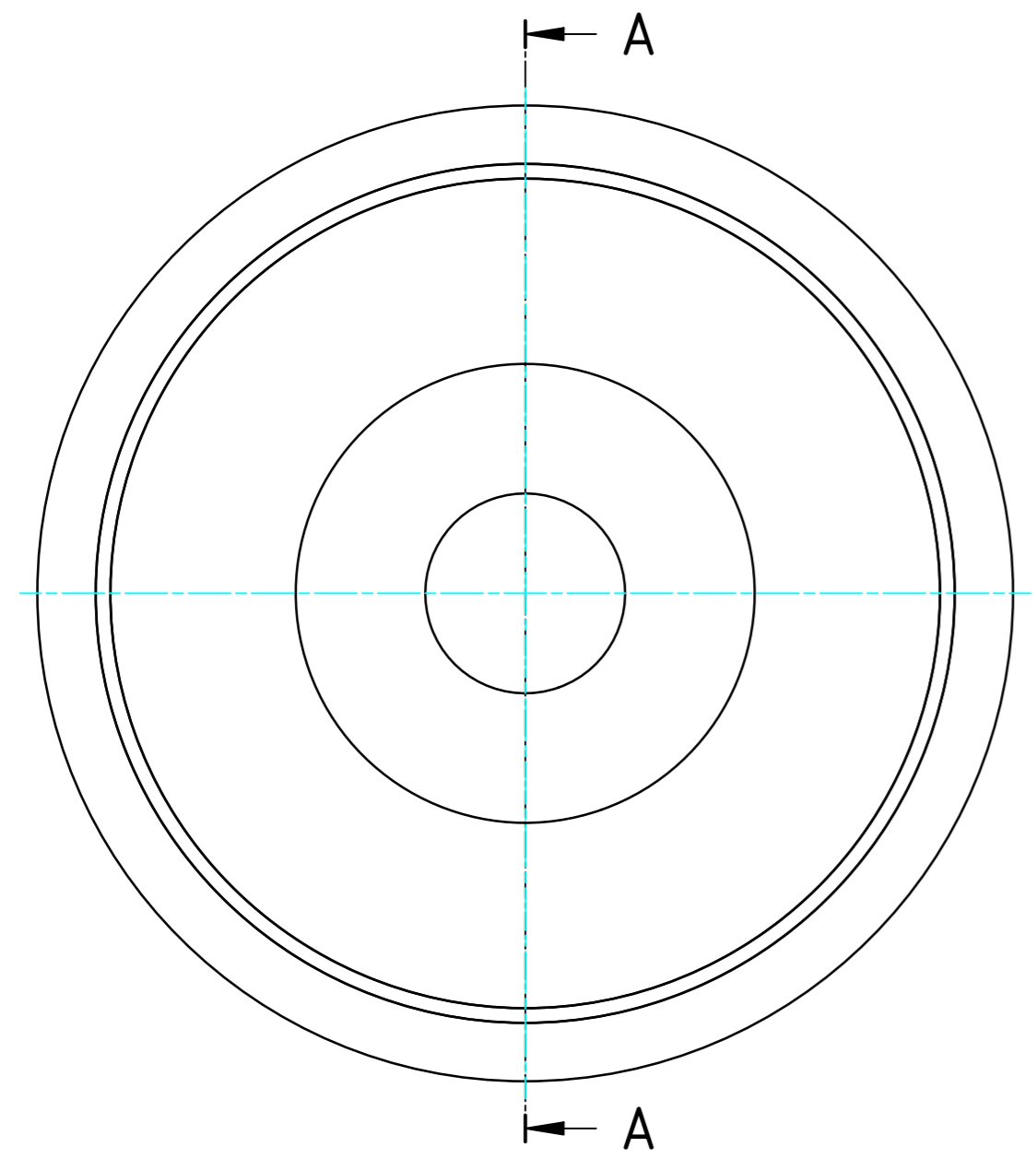
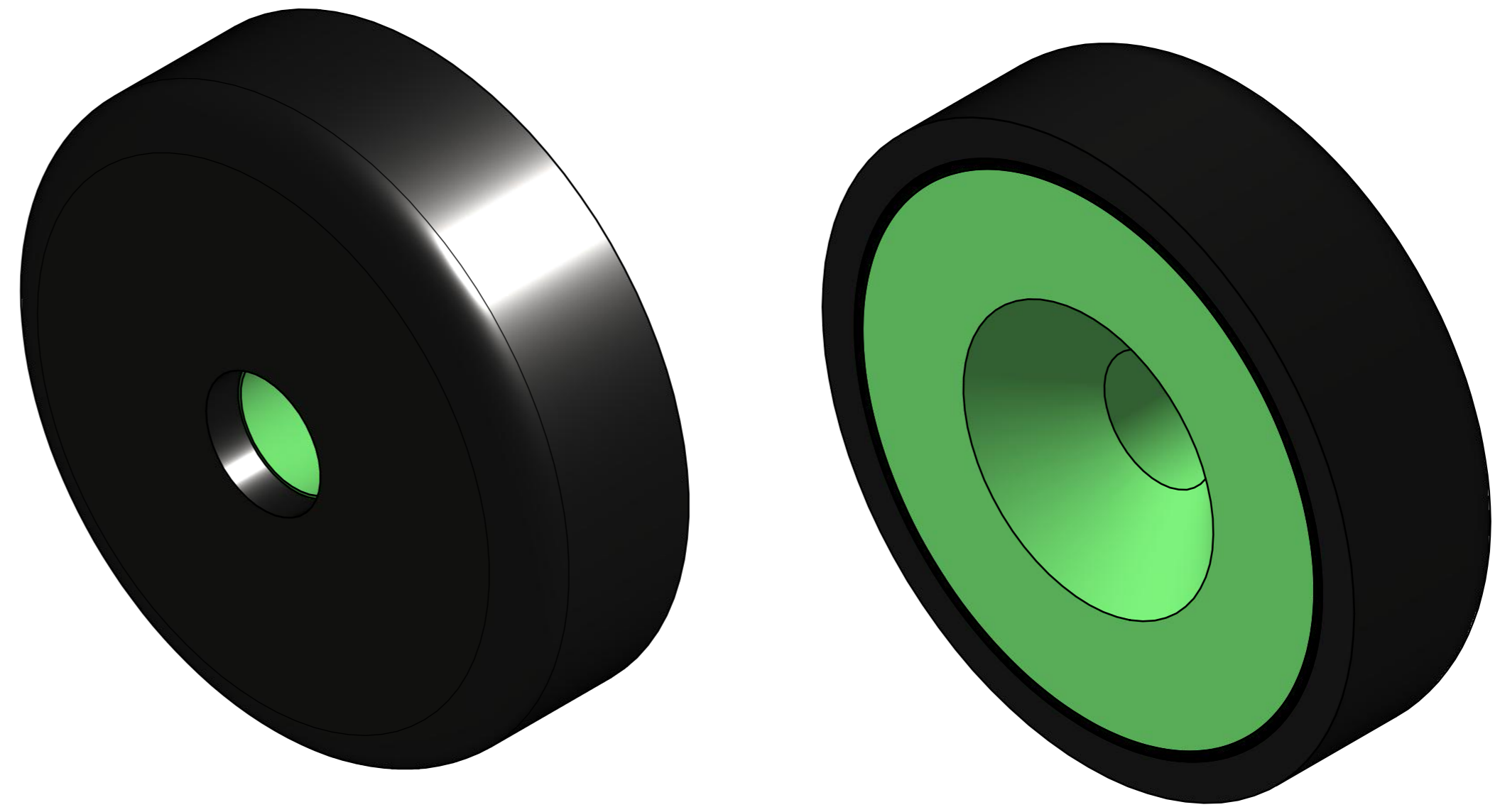


DOC.NR.	REV	DATE	BY	DESCRIPTION
E0120190	-	25-9-2019	PV	ORIGINAL DRAWING



SURFACE TREATMENT: ZINC PLATED

RAW MAT.	1	Quantity	Material Number	Material Description	Length (mm)	Width (mm)
Drawn:	PV	Weight (kg):	0,013	Extra info:	POTMAGNET FERRITE	
Date:	5-8-2019	General tolerance:		ISO 2768 - mK		
Spare part:	False	Drawn according:		ISO 268; ISO 1101; ISO 2553		
Quick search:	POTGM	Status:		Released		
Description:	PM-HS-F-SG-D20x6xd4.1/9.4			Customer reference number:	E0120190	
© All rights reserved. Reproduction is not permitted without written permission of GOUDSMIT Magnetic Systems BV				Document number:	E0120190	
				Part number:	GM16601	