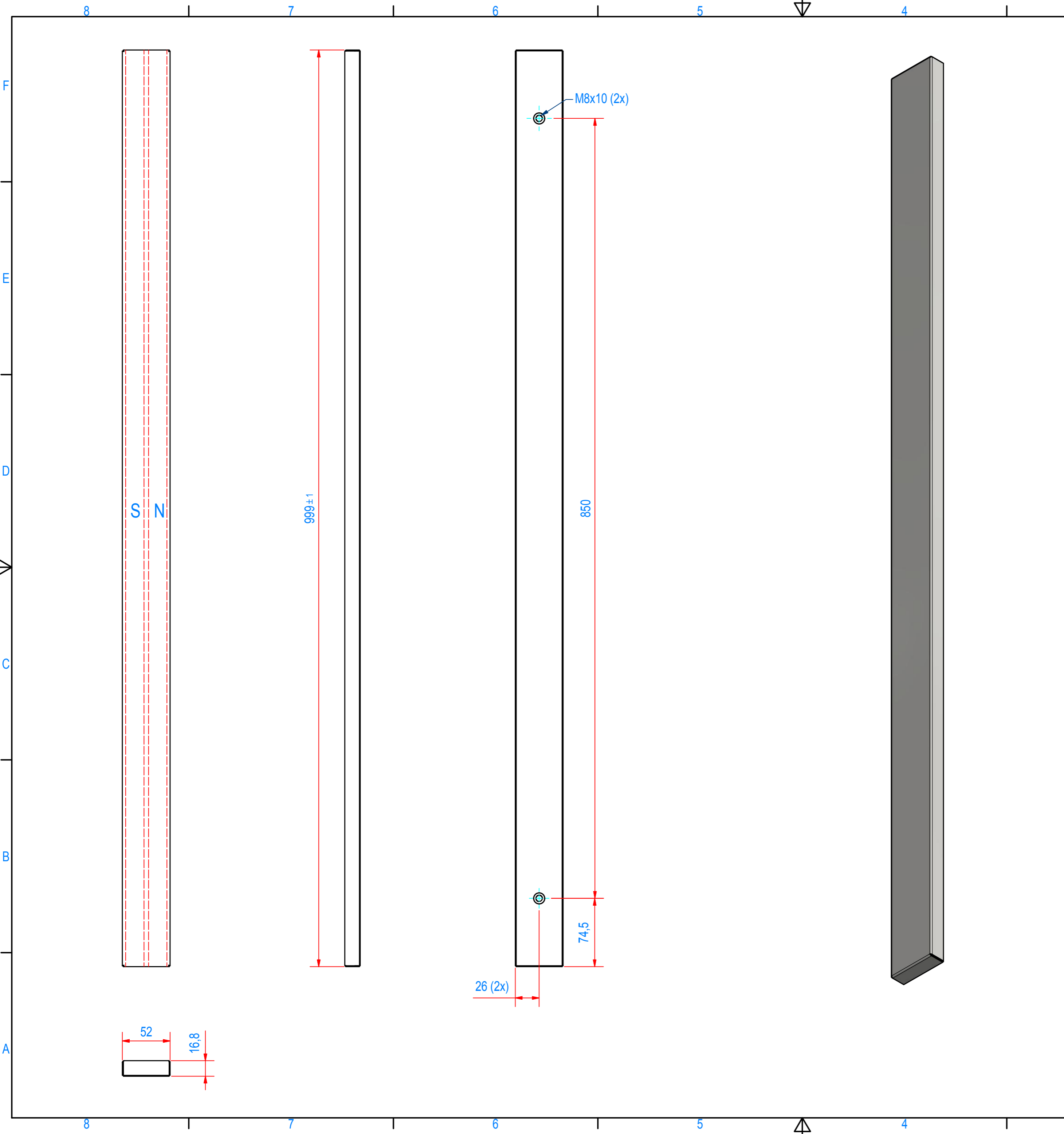
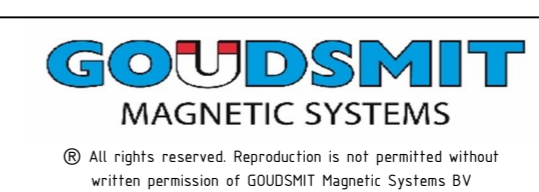


REV	DATE	BY	DESCRIPTION
-	31-10-2013	PB	NEW VAULT, NOTHING CHANGED, IS EQUAL TO OLD REVISION B



ITEM	QTY	PART NUMBER	DESCRIPTION	Dimensions	
2	1	TB1176	COVER		
1	1	E0009967	MAGN. LAY-OUT		
RAW MAT.	QTY	MAT. NUMBER	MAT. DESCRIPTION	LENGTH (mm)	WIDTH (mm)
	1				
Sheet: A2 Drawn: PB Date: 31-10-2013 Spare part: False Quick search: TBAA01			Extra info: Weight (kg): 4,804 General tolerance: ISO 2768 mK Drawn according: ISO268; ISO1101; ISO2553 Status: Standard Customer reference number: File number: TBAA100001 Part number: TBAA100001		
Description: HRA-F-052x17-AA-1000-B-B			Rev: -		



© All rights reserved. Reproduction is not permitted without written permission of GOUDSMIT Magnetic Systems BV