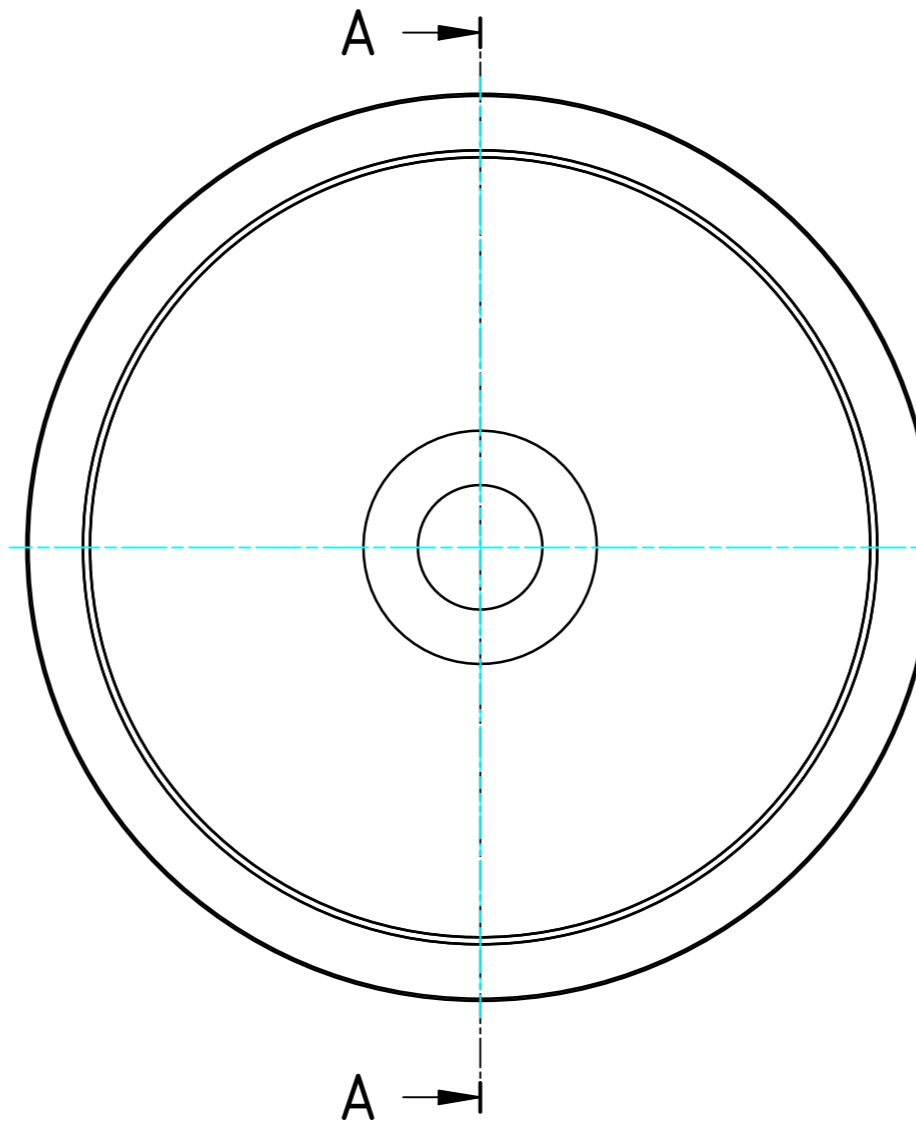
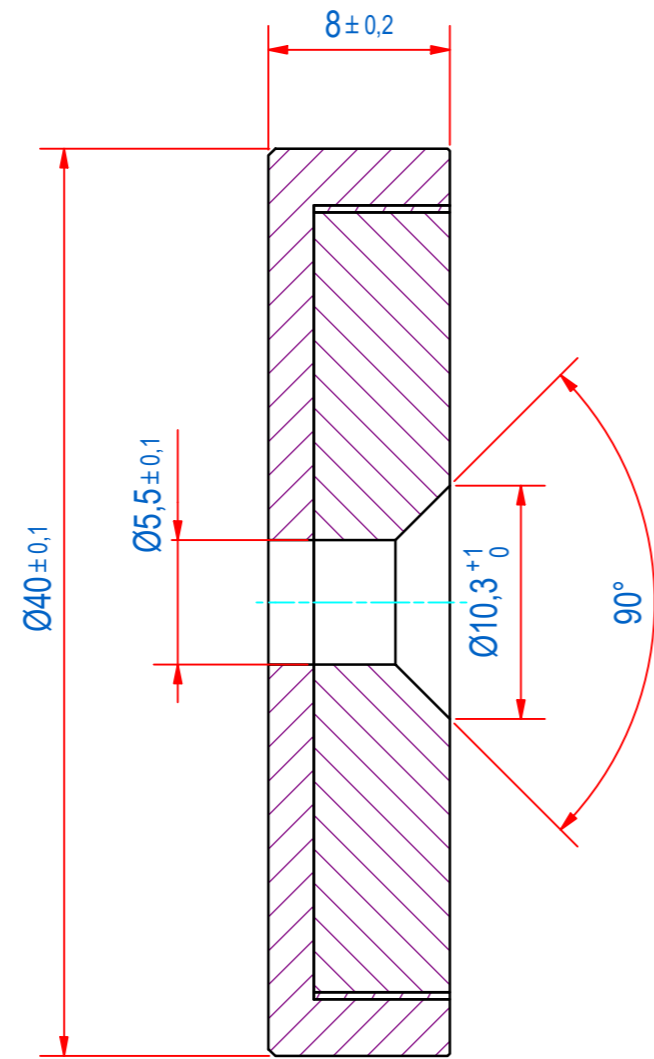
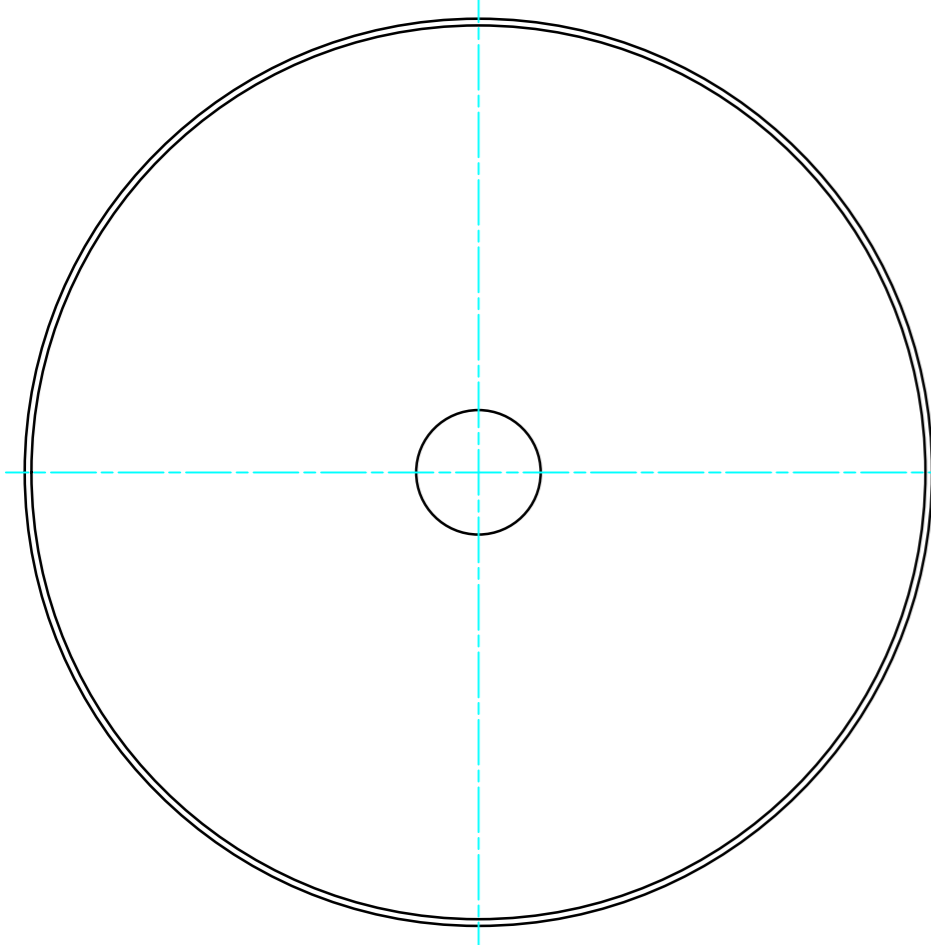
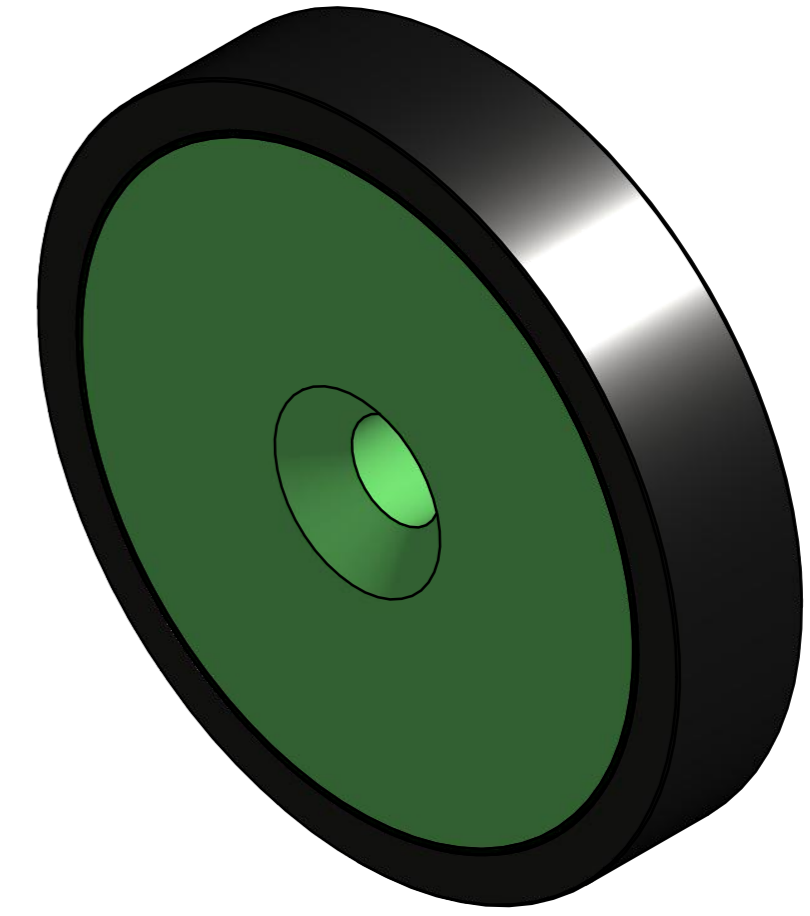


DOC.NR.	REV	DATE	BY	DESCRIPTION
E0121379	-	30-9-2019	PV	ORIGINAL DRAWING



SURFACE TREATMENT: ZINC PLATED

RAW MAT.	1	Quantity	Material Number	Material Description	Length (mm)	Width (mm)
Drawn:	PV	Weight (kg):	0,076	Extra info: POTMAGNET NEODYMIUM	General tolerance: ISO 2768- mK	
Date:	26-8-2019	GOUDSMIT MAGNETICS			Drawn according: ISO268; ISO1101; ISO2553	
Spare part:	False	© All rights reserved. Reproduction is not permitted without written permission of GOUDSMIT Magnetic Systems BV			Status: Released	
Quick search:	POTGM	Description: PM-HS-N-SG-D40x8xd5,5/10.3			Document number:	E0121379
					Customer reference number:	
					Part number:	GM17429
					Doc.Rev:	-
					Rev:	-