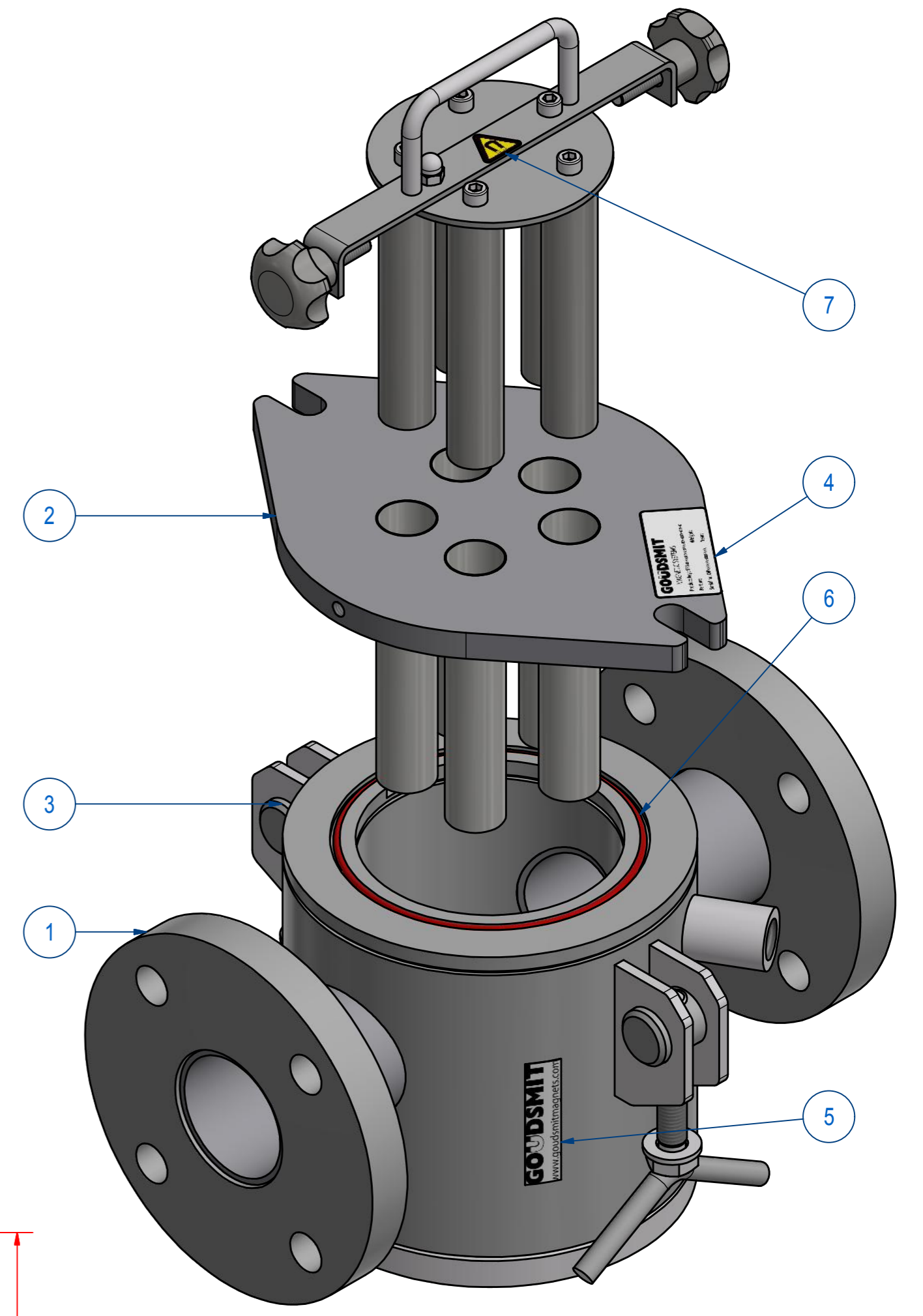
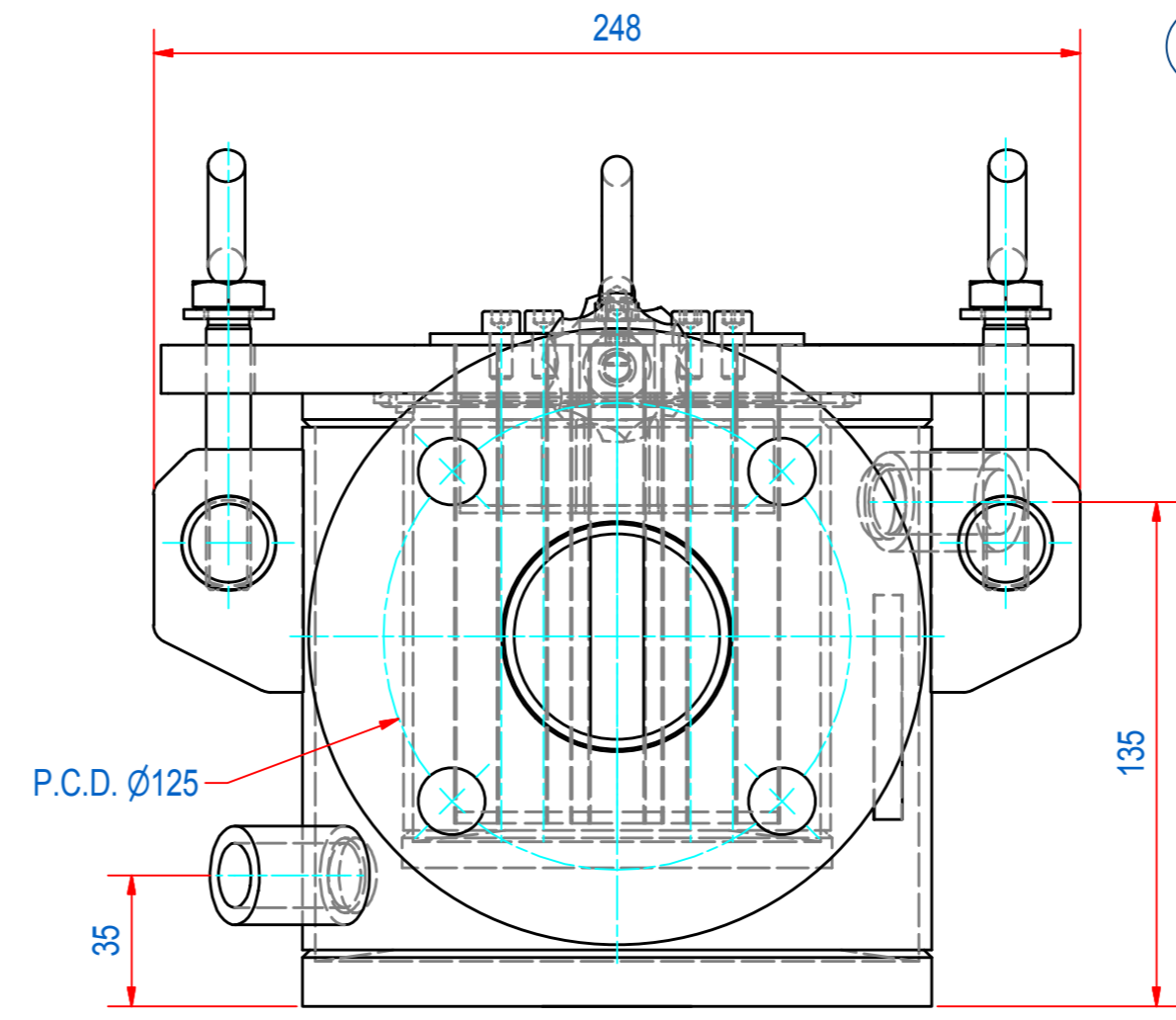
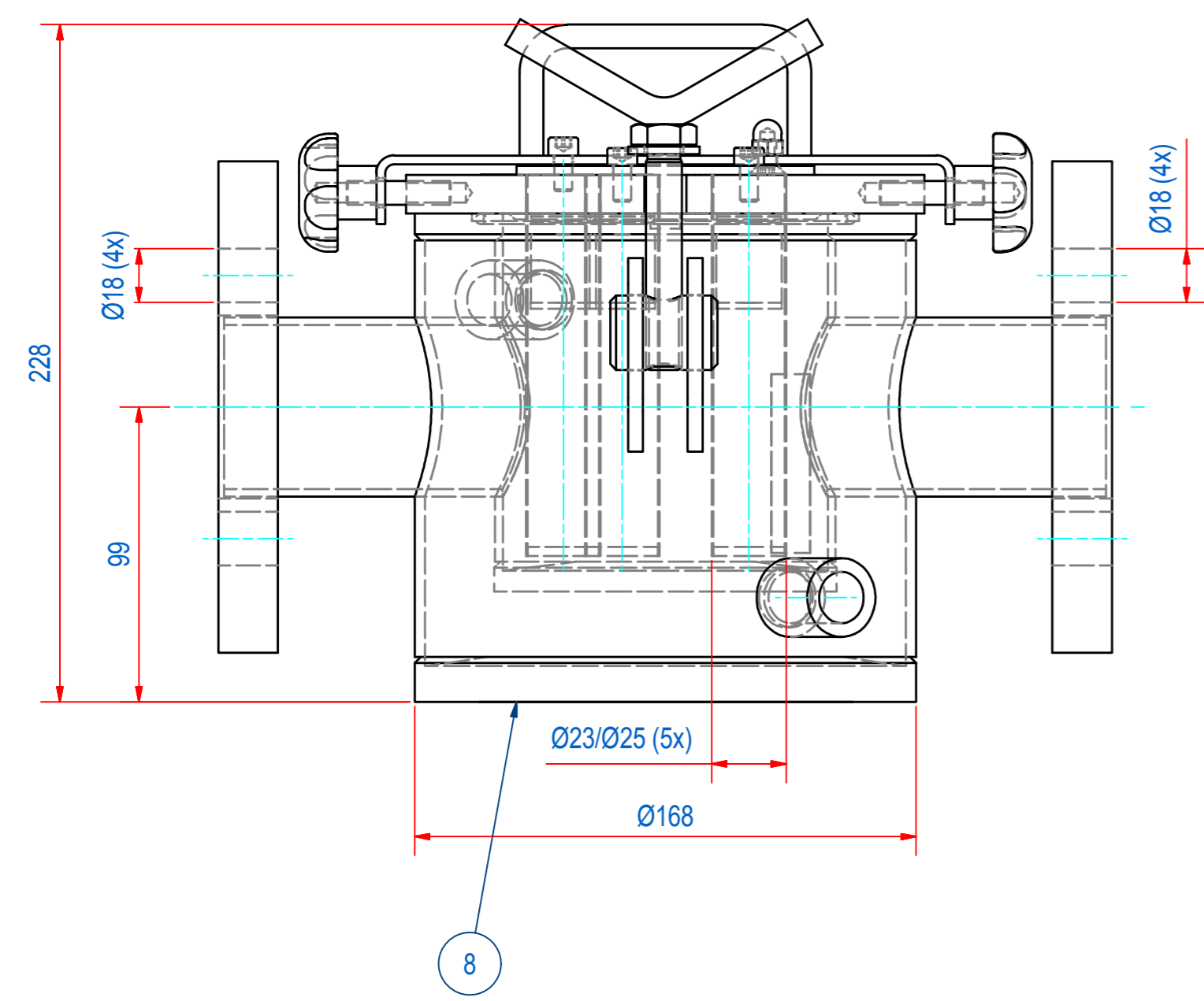
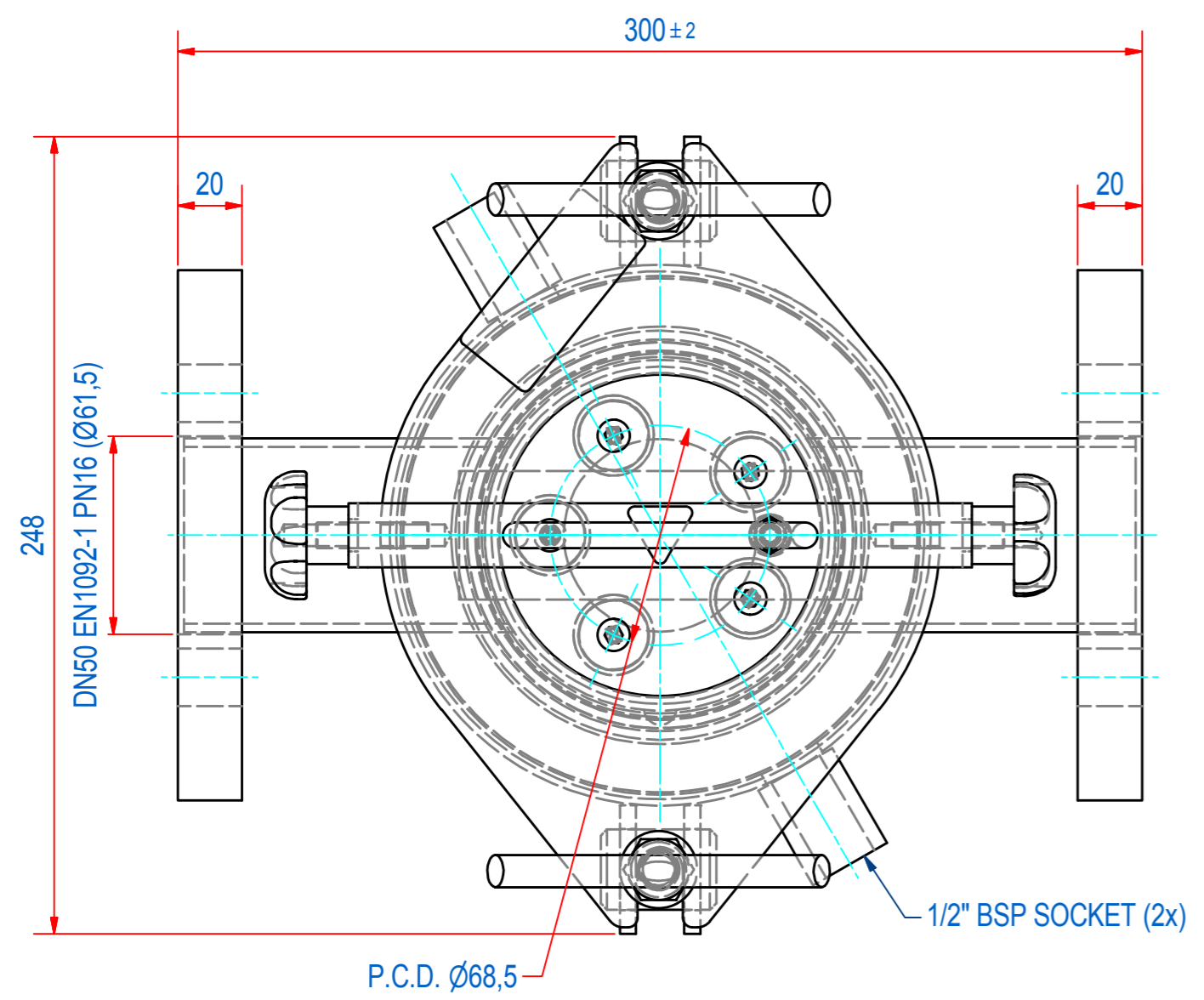


REV	DATE	BY	DESCRIPTION
-	22-5-2013	AvD	NEW REVISION VAULT, NOTHING CHANGED, OLD REV WAS F
A	13-4-2018	CR	TYPE PLATE AND WARNING STICKERS ADDED



ITEM	QTY	PART NUMBER	DESCRIPTION	Dimensions
8	1	1215.00407	NAME PLATE GOUDSMIT 125x40	
7	1	1000.20080	STICKER MAGNETIC FIELD 20mm	
6	1	78.1120350	O-RING Ø120.25xØ3.53 EC1935	
5	1	E0086456	STICKER SFN-080 GSM	
4	1	E0086453	TYPE PLATE FILTER SFN	
3	2	M66813	FS000 TOGGLE M12	
2	1	M21763	TOP EXTR. DOUBLE WALL DN50/65	
1	1	M21947	HOUSE DN50 DOUBLE EN1092-1	

RAW MAT.	QTY	MAT. NUMBER	MAT. DESCRIPTION	LENGTH (mm)	WIDTH (mm)
8	1	1215.00407	NAME PLATE GOUDSMIT 125x40		
7	1	1000.20080	STICKER MAGNETIC FIELD 20mm		
6	1	78.1120350	O-RING Ø120.25xØ3.53 EC1935		
5	1	E0086456	STICKER SFN-080 GSM		
4	1	E0086453	TYPE PLATE FILTER SFN		
3	2	M66813	FS000 TOGGLE M12		
2	1	M21763	TOP EXTR. DOUBLE WALL DN50/65		
1	1	M21947	HOUSE DN50 DOUBLE EN1092-1		

Sheet: A2	Extra info:	General tolerance: ISO 2768 - mK
Drawn: AvD	Weight (kg): 19,6	Drawn according: ISO268; ISO1101; ISO2553
Date: 10-5-1999		Status: Standard
Spare part: False		Customer reference number:
Quick search: FSD050	GOUDSMIT MAGNETIC SYSTEMS	Document number: E0081925 Doc.Rev: A
Description: SFND-050-IF-05E-HT-F1m-S-B-B	© All rights reserved. Reproduction is not permitted without written permission of GOUDSMIT Magnetic Systems BV	Part number: SSFD005038 Rev: A