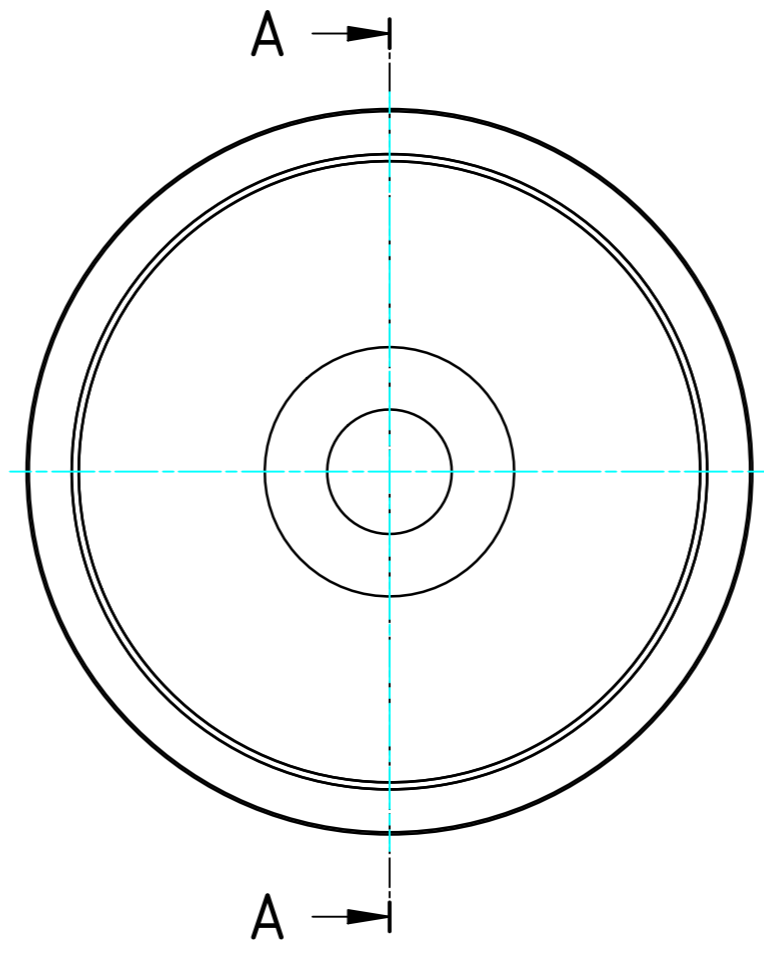
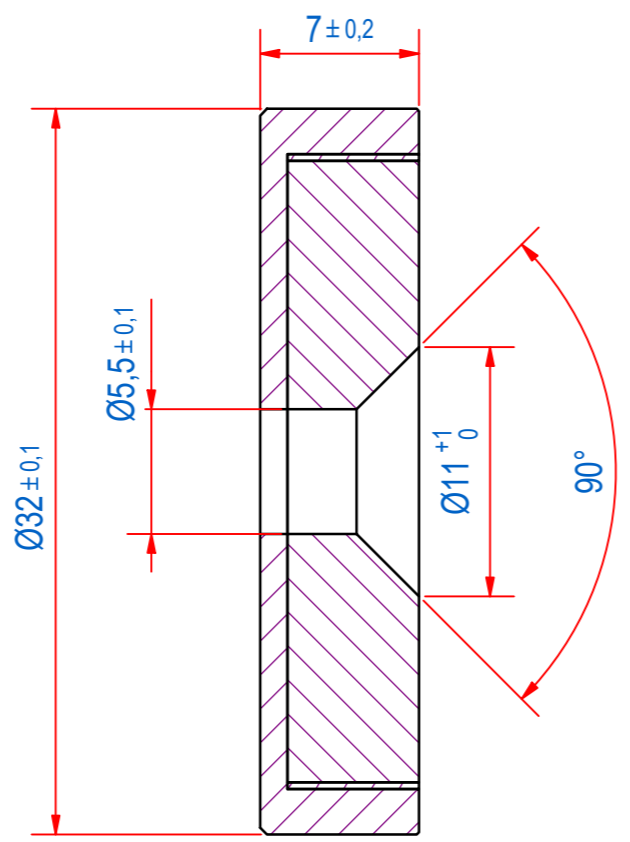
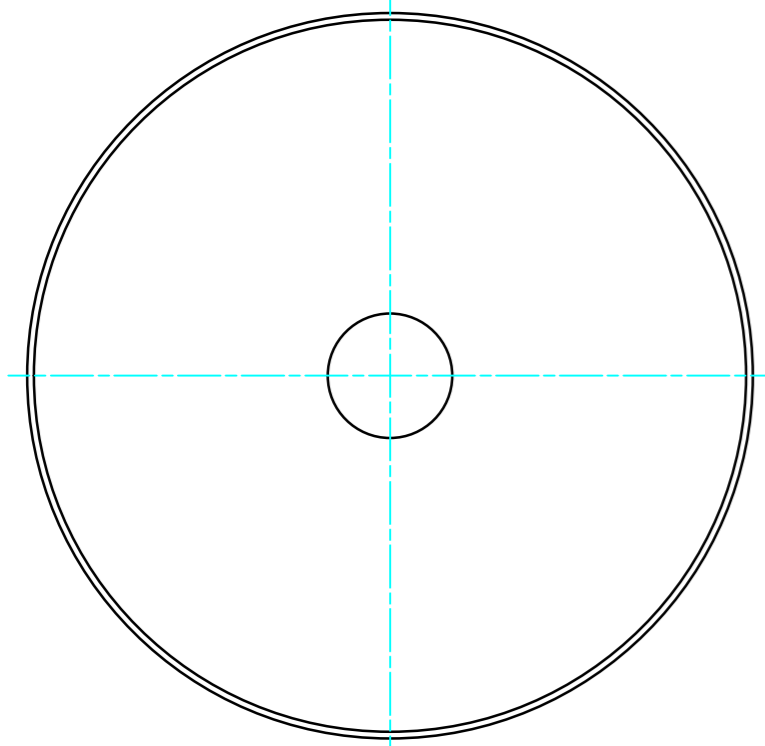


DOC.NR.	REV	DATE	BY	DESCRIPTION
E0121365	-	30-9-2019	PV	ORIGINAL DRAWING



SURFACE TREATMENT: ZINC PLATED

A-A

RAW MAT.	Quantity: 1	Material Number	Material Description	Length (mm)	Width (mm)
Drawn:	PV	Sheet: A2	Extra info: POTMAGNET NEODYMIUM	General tolerance: ISO 2768- mK	
Date:	26-8-2019	Weight (kg): 0,041		Drawn according: ISO268; ISO1101; ISO2553	
Spare part:	False	Source:		Status: Released	Customer reference number:
Quick search:	POTGM	© All rights reserved. Reproduction is not permitted without written permission of GOUDSMIT Magnetic Systems BV		Document number: E0121365	Doc.Rev: -
Description:	PM-HS-N-SG-D32x7xd5.5/11			Part number: GM17428	Rev: -