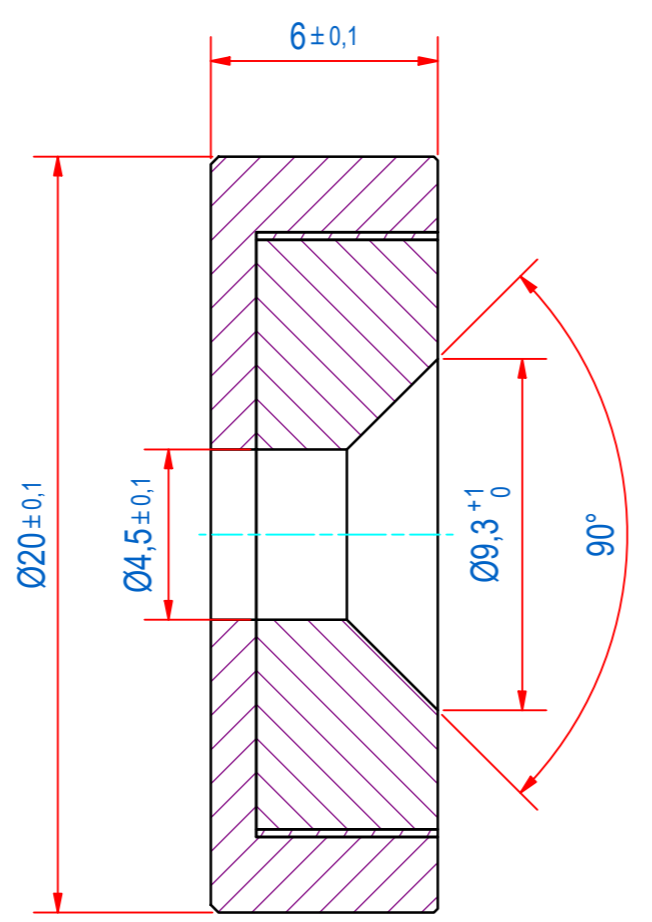
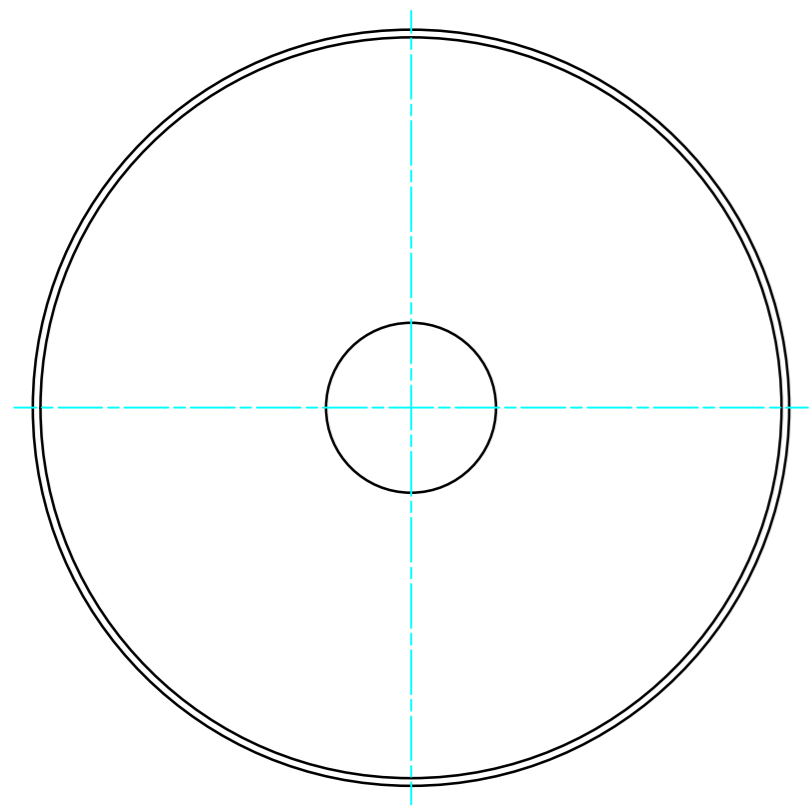
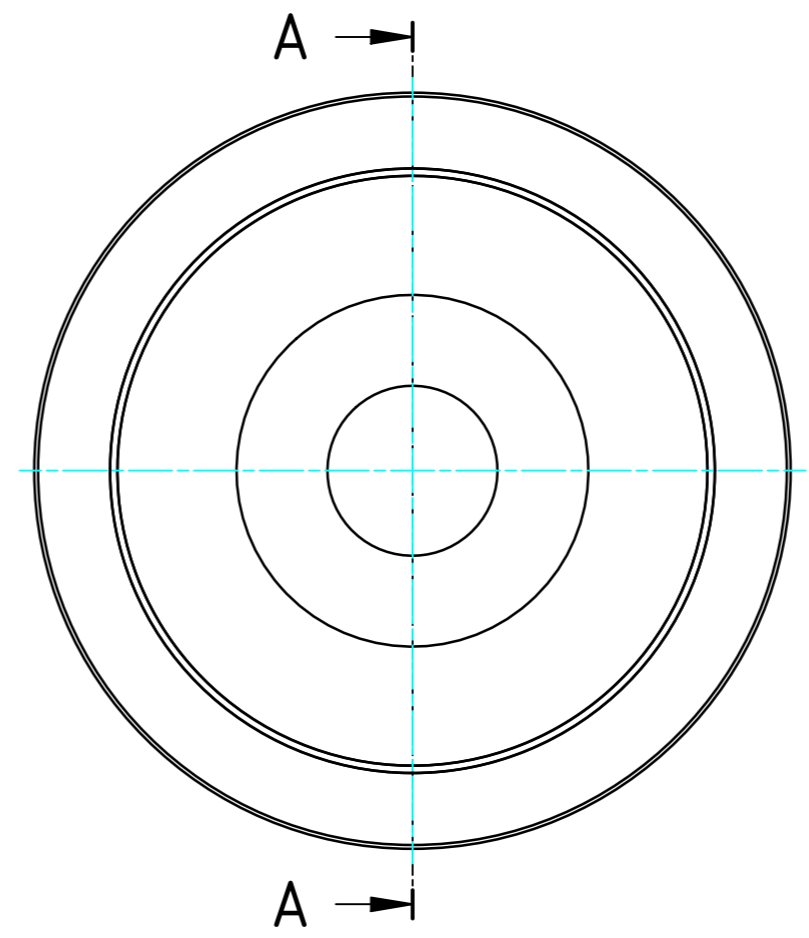


DOC.NR.	REV	DATE	BY	DESCRIPTION
E0121336	-	30-9-2019	PV	ORIGINAL DRAWING



A-A



SURFACE TREATMENT: ZINC PLATED

RAW MAT.	1								
Quantity		Material Number		Material Description		Length (mm)		Width (mm)	
Sheet:	A2	Extra info:	POTMAGNET NEODYMIUM		General tolerance:		ISO 2768- mK		
Drawn:	PV	Weight (kg):	0,013		Drawn according:		ISO268; ISO1101; ISO2553		
Date:	26-8-2019	Date:		26-8-2019	Status:		Released		
Spare part:	False	Source:			Customer reference number:				
Quick search:	POTGM	Description:		PM-HS-N-SG-D20x6xd4.5/9.3	Document number:		E0121336	Doc.Rev:	
				Part number:		GM17426	Rev:		